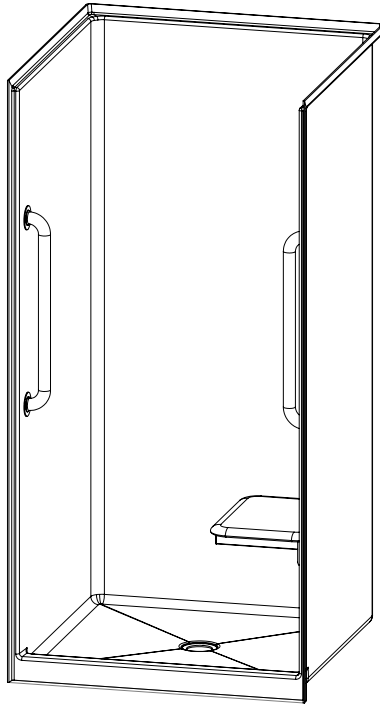


# 1363EN – ACCESSIBLE SHOWERS

inches

Interior: 36 x 36 x 75 5/8

Exterior: 38 1/4 x 38 3/8 x 77 1/2



## FEATURES

- AcrylX™ applied acrylic surface
- 3" skirt
- 2" interior threshold
- Smooth wall
- Lifetime limited warranty (30 year commercial)

## OPTIONS

- Grab bars
- Fold-up seat
- Hand-held shower assembly with slide bar
- Pressure balancing mixing valve
- Soap dish
- Curtain rod and/ or shower curtain

## CODE COMPLIANCE

- IAPMO Z124-2017
- 521-CMR (Group 2)

\*\*Code compliant when fully equipped and installed according to guidelines.

## AQUATIC ADVANTAGE

- 7 manufacturing facilities
- Private fleet
- Centralized customer service
- Field support

## COLOR & TRIM OPTIONS

Stock	Upgraded
White	Almond Biscuit Bone

\*\*Additional custom colors available.  
(Contact Customer Service)

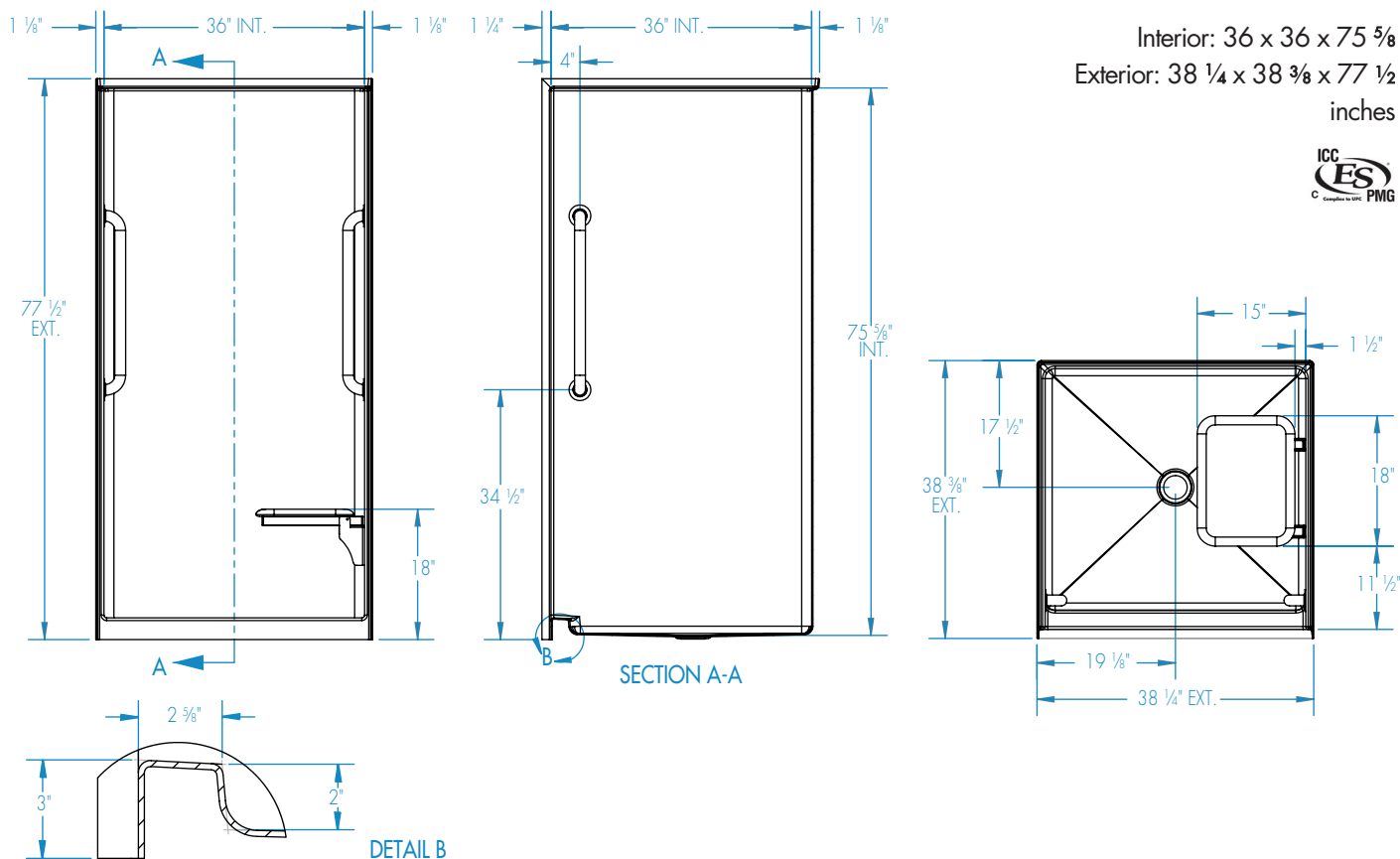


Aquatic products may be specified as Lasco Bathware.



# 1363EN

Interior: 36 x 36 x 75 5/8  
Exterior: 38 1/4 x 38 3/8 x 77 1/2  
inches



## FEATURES

Dimensional Tolerance  $\pm 3/8"$ . Dimensions needed for site preparation should be measured from the unit. Aquatic assumes no responsibility for preparatory work.

Type and Model #	Material	Wall Finish	Pieces	Drain	Dam/Skirt Height	Net Wt. lbs	Pkg. Wt. lbs
Shower #1363EN	AcrylX™	Smooth	1	Center	3 skirt	140	150

## DIMENSIONS

Specifications	inches
Width: Exterior / Interior	38 1/4 / 36
Depth: Exterior / Interior	38 3/8 / 36
Height: Exterior / Interior	77 1/2 / 75 5/8
Enclosure Opening:	36
Skirt Height:	3
Drain Rough-In (from Back Wall)	17 1/2
Drain Rough-In (from Side Wall)	19 1/8

## FRAMING DIMENSIONS inches

Type	D Depth	W Width	H Height	A	B	C
Alcove	38 3/8	38 3/8	-	Box Out	19 1/8	17 1/2

