

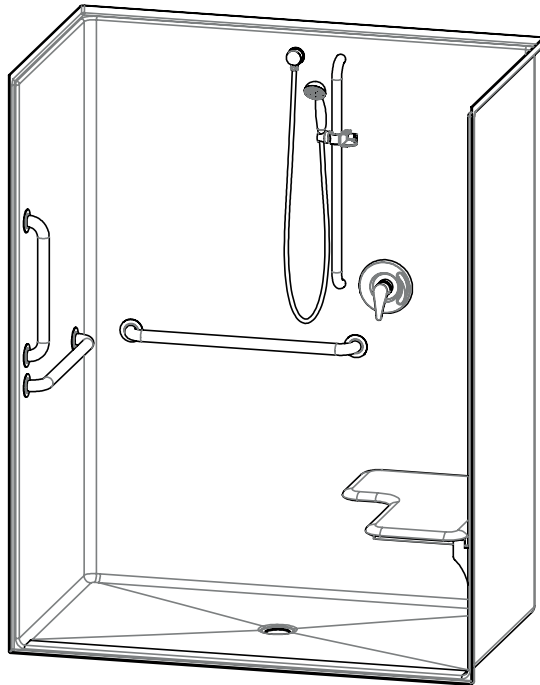
1603BFSC – ACCESSIBLE SHOWERS

inches

Interior: 60 x 34 x 75 5/8

Exterior: 62 x 36 1/4 x 77 1/4

The 1603BFSC roll-in shower features innovative installation design, including an engineered leveled base and improved front threshold. A true time and money saver, our pre-leveled base lets you install directly on a **level** floor. And its front threshold is engineered to keep a constant level without the use of brackets during installation.



AQUATIC ADVANTAGE

- National distribution
- 7 manufacturing facilities
- Private fleet
- Centralized customer service
- Field support

COLOR & TRIM OPTIONS

Stock	Upgraded
White	Almond Biscuit Bone

**Additional custom colors available.
(Contact Customer Service)

FEATURES

- Pre-leveled base
- AcrylX™ applied acrylic surface
- 3/4 skirt
- NO interior threshold
- Barrier free when properly installed
- Smooth wall
- Center drain
- Lifetime limited warranty (30 year commercial)

OPTIONS

- Grab bars
- Fold-up seat
- Hand-held shower assembly with slide bar
- Pressure balancing mixing valve
- Soap dish
- Curtain rod and/or shower curtain

CODE COMPLIANCE

- ADA
- ICC/ANSI A117.1
- CSA B45/IAPMO Z124-2017
- TAS
- FHA
- HUD UM73a
- CAN/CSA-B651-12
- UFAS

**Code compliant when fully equipped and installed according to guidelines.



Aquatic products may be
specified as Lasco Bathware.



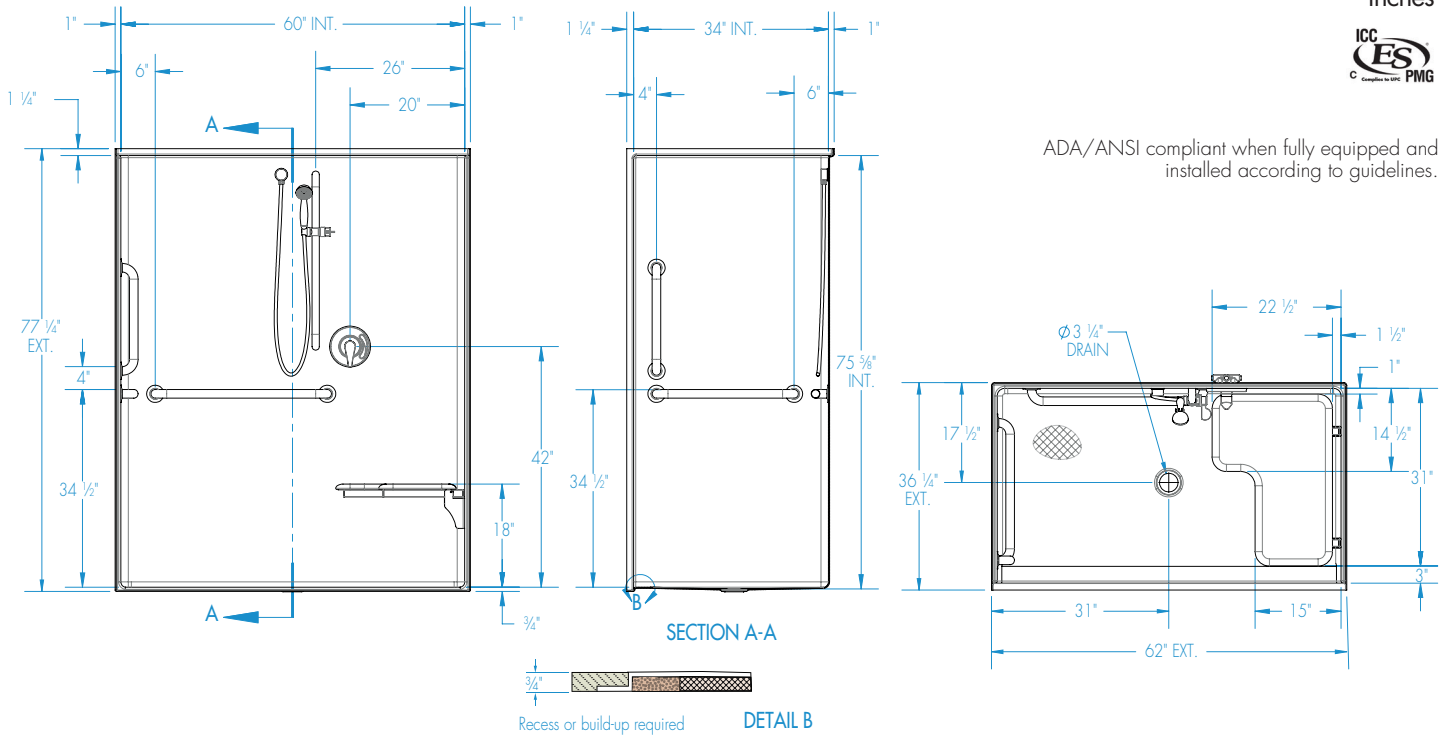
1603BFSC

Interior: 60 x 34 x 75 5/8
Exterior: 62 x 36 1/4 x 77 1/4

inches



ADA/ANSI compliant when fully equipped and installed according to guidelines.



FEATURES

Dimensional Tolerance $\pm 3/8"$. Dimensions needed for site preparation should be measured from the unit. Aquatic assumes no responsibility for preparatory work.

Type and Model #	Material	Wall Finish	Pieces	Drain	Dam/Skirt Height	Net Wt. lbs	Pkg. Wt. lbs
Shower #1603BFSC	AcrylX™	Smooth	1	Center	3/4" skirt, NO interior threshold	202	212

DIMENSIONS

Specifications	inches
Width: Ext. / Int.	62 / 60
Depth: Ext. / Int.	36 1/4 / 34
Height: Ext. / Int.	77 1/4 / 75 5/8
Enclosure Opening:	60
Skirt Height:	3/4
Drain Rough-In (from Back Wall)	17 1/2
Drain Rough-In (from Side Wall)	31

FRAMING DIMENSIONS

 inches

Type	D Depth	W Width	H Height	A	B	C
Alcove	36 1/4	62 1/8	-	Box Out	31	17 1/2

