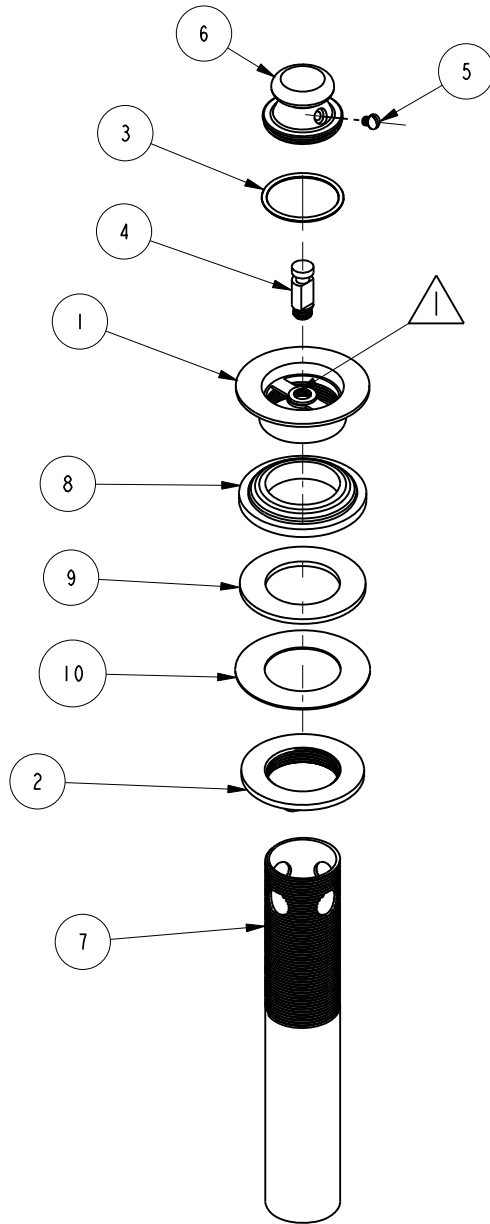
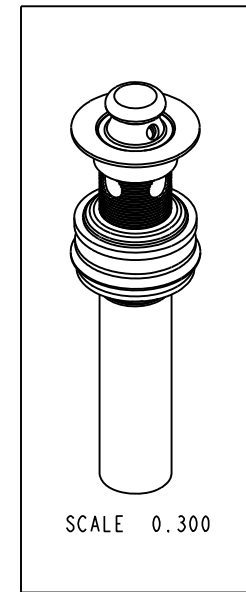


1 USE LOCTITE 680



**BILL OF MATERIAL (CURRENT LEVEL)**

ITEM	PT/ASSY	DESCRIPTION	TYPE	QTY.
1	50333	FLANGE (320)	PART	1
2	10209	MNT'G NUT - DRAIN FL	PART	1
3	91195	O-RING, 2 X 28MM ID, EPDM, 65-75 DURO	PART	1
4	50334	POST (320)	PART	1
5	92072	SCRW, 8-32 X .219 SLT ROUND W/SPECIAL DIA .250 HD BRASS	PART	1
6	50332	STOPPER (320)	PART	1
7	50335	TLPP 1.25" OD X 7" (320)	PART	1
8	91197	WSHR, 1.25 ID X 2.125 OD X .35 THK, MOLDED, RUBBER	PART	1
9	91196	WSHR, 1.25 ID X 2.13 OD X .094 THK, FLT, RUBBER	PART	1
10	50029	WSHR, 1.34 ID X 2.25 OD X .05 THK, FLT, ZnPLATED	PART	1



COPYRIGHT 2005 BRASSTECH, INC. THESE DRAWINGS AND THE DESIGNS DEPICTED HEREIN ARE THE PROPRIETARY PROPERTY OF BRASSTECH. ANY USE OR REPRODUCTION IS SUBJECT TO THE EXPRESS APPROVAL OF BRASSTECH. UNAUTHORIZED USE IS STRICTLY PROHIBITED. ALL RIGHTS RESERVED.

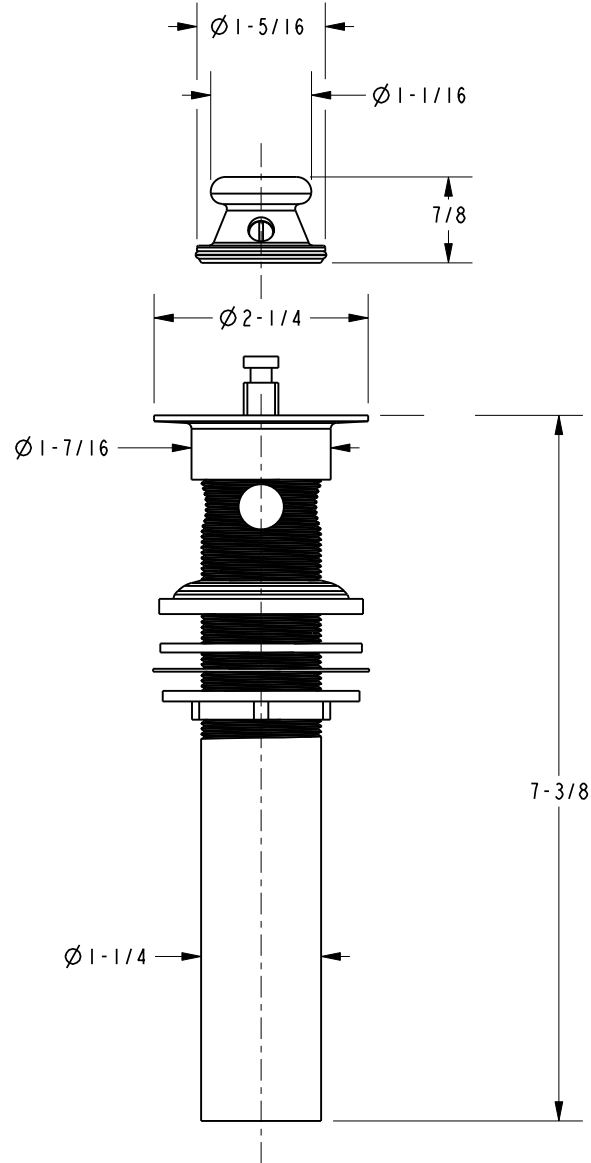
**BRASSTECH**  
INCORPORATED  
2001 E. CARNEGIE AVE.  
SANTA ANA, CA 92705  
(949) 417-5207

**DRAIN - LIFT & TURN**

ASSY. NO.		320	
SCALE 0.312	REF. -	SHEET 1 OF 2	REV
			REV DESC
			DATE

B	EN-2503	04/17/13
A	EO-0646	1/30/06
-	RELEASED	PRE '95

**SPECIFICATION DWG**



DIMENSIONS ARE IN INCHES AND AN APPROXIMATION OF A TYPICAL INSTALLATION

COPYRIGHT 2005 BRASSTECH, INC. THESE DRAWINGS AND THE DESIGNS DEPICTED HEREIN ARE THE PROPRIETARY PROPERTY OF BRASSTECH. ANY USE OR REPRODUCTION IS SUBJECT TO THE EXPRESS APPROVAL OF BRASSTECH. UNAUTHORIZED USE IS STRICTLY PROHIBITED. ALL RIGHTS RESERVED.

<b>BRASSTECH</b>		2001 CARNEGIE AVE. SANTA ANA, CA 92705 (949) 417-5207	
DWG NO.	320	REV	B
SCALE 0.500	REF. -	SHEET 2	OF 2