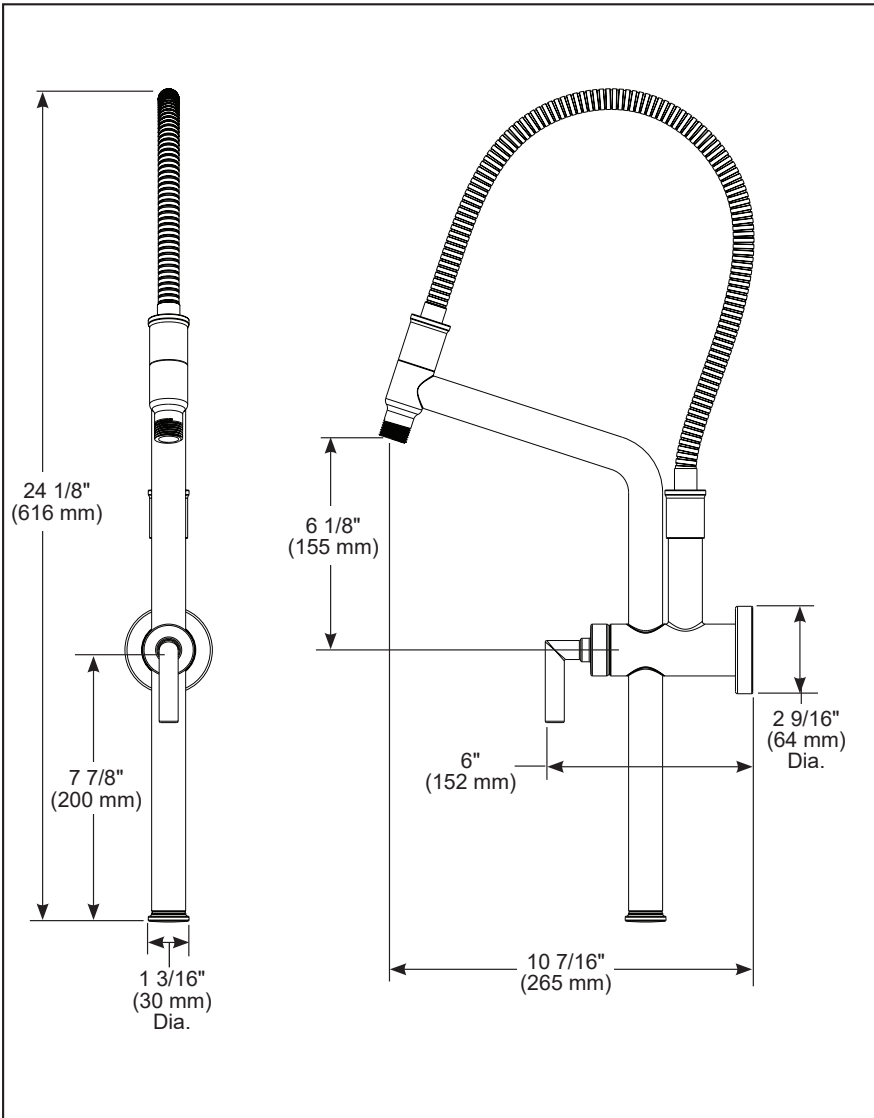


81892-▲

Submitted Model No.: _____

Specific Features: _____



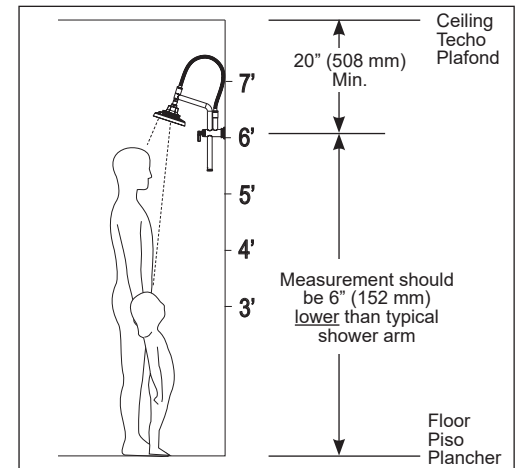
▲ Designate finish suffix

BRIZO®

LINEAR SLIDE BAR SHOWER ARM AND FLANGE

STANDARD SPECIFICATIONS:

- Provides 10" of height adjustability up and down arm
- Recommended for use with showerheads less than 10" in diameter and weighing no more than 2.5 pounds
- Finished semi-flexible metal hose
- 1/2" NPT threads



Select a height for the shower arm based on your personal needs. **NOTE:** Shower arm must be installed minimum 20" from the ceiling to prevent hose contact with the ceiling. The recommended distance from the floor is 6" lower than a typical arm to better access the adjustable arm.

WARRANTY

- Parts and Finish - Lifetime limited warranty; or for commercial purchasers, 10 years for multi-family residential (apartments and condominiums) and 5 years for all other commercial uses, in each case from the date of purchase.
- Electronic Parts and Batteries (if applicable) - 5 years from the date of purchase; or for commercial purchasers, 1 year from the date of purchase. No warranty is provided on batteries.

COMPLIES WITH:

- ASME A112.18.1 / CSA B125.1

Brizo Kitchen & Bath Company
 55 E. 111th Street, Indianapolis, Indiana 46280
 350 South Edgeware Road, St. Thomas, ON N5P 4L1
 © 2020 Brizo Kitchen & Bath Company

Brizo Kitchen & Bath Company reserves the right (1) to make changes in specifications and materials, and (2) to change or discontinue models, both without notice or obligation. Dimensions are for reference only. See current full-line price book or www.brizo.com for finish options and product availability.

BSP-B-81892 Rev. A