

Cheviot

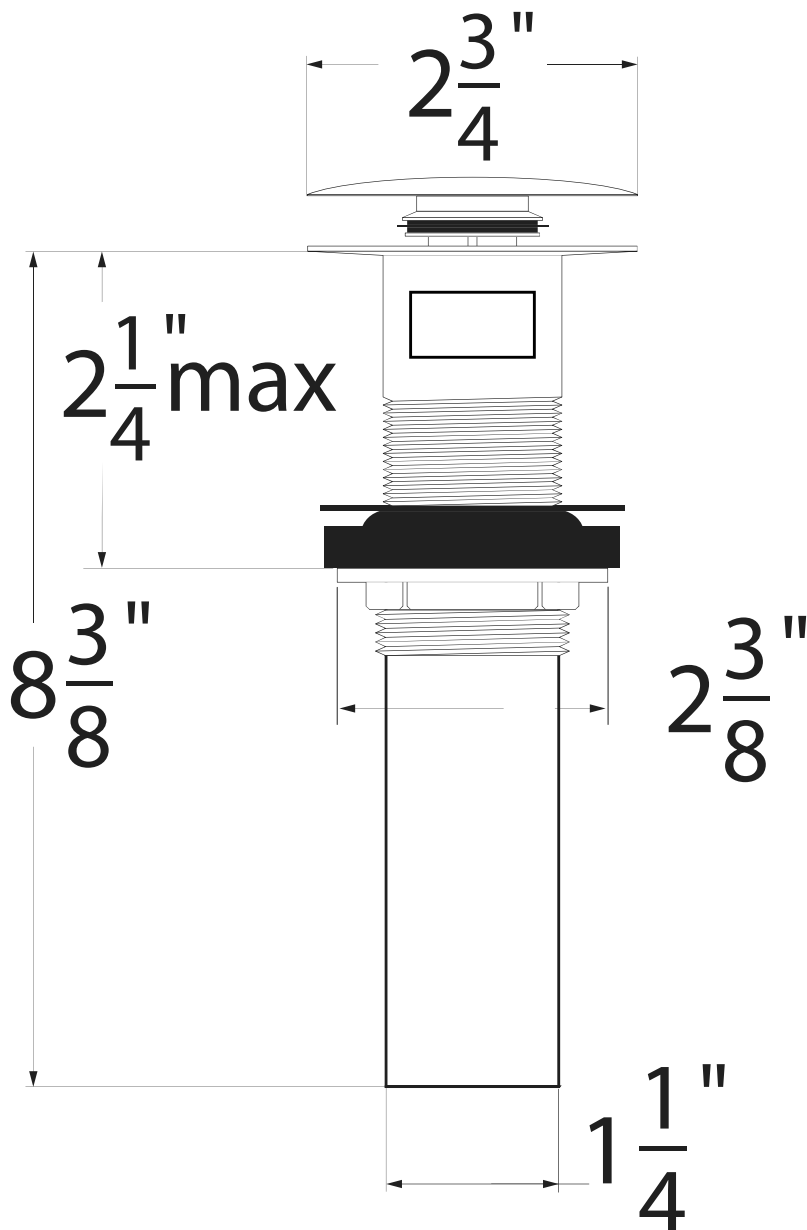
PRODUCTS INC

Model # 5297



Drain Assembly Installation

- Apply a generous bead of putty to underneath of flange set onto top of drain opening in sink.
- Screw mounting nut as far down on the drain body as it will go flat side up.
- Slide rubber gasket rounded side up onto drain body through drain opening and screw into flange aligning pivot opening to rear. Tighten mounting nut until tight (putty will ooze out around flange).



CARE AND MAINTENANCE

Minimum Maintenance is required to maintain product finish. With proper maintenance your CHEVIOT Faucet will continually look like new. Special care should be taken when cleaning your faucet and the following suggestions should help extend your faucet life.

- Cleaning should be done regularly using a soft cotton cloth and warm water, then towel dry.
- Do not use cleaners that contain abrasives or harsh chemicals; Care should be taken in selecting cleaning supplies. Many cleaners contain detergents, ammonia, or other corrosive solvents that could damage your faucet finish.
- occasionally clean with a non-abrasive wax polish.

Tel : (800)-444-5969

www.cheviotproducts.com