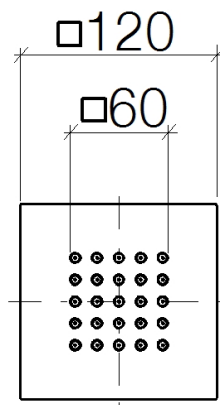




Product specifications

- Stream: Rain
- Descaling system
- Cover plate 4-3/4" x 4-3/4"
- Water flow rate limited to max. 1.6 gpm



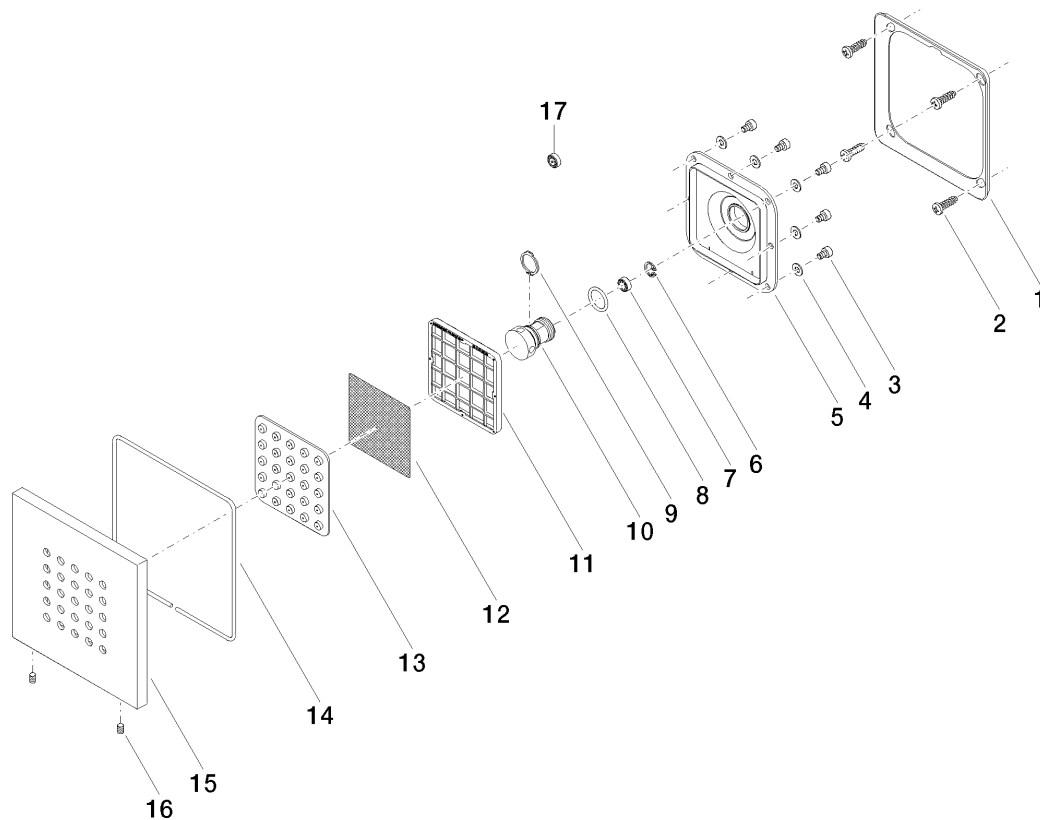
Surfaces

- chrome 36515979-00
- matt platinum 36515979-06

Accessories required

- Rough; 35 205 970

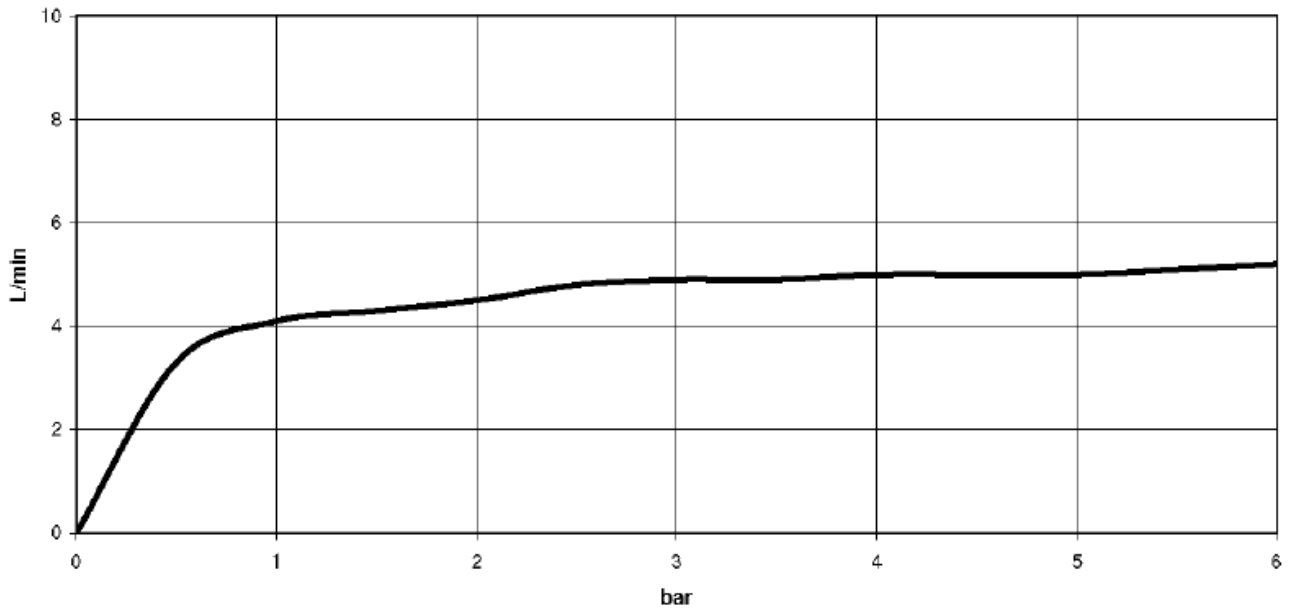
Exploded assembly drawing



Order quantity

No.	Article number	Name	Installation quantity
1	09280102490	holder	1
2	09303102290	screw	4
3	09303003190	screw	8
4	09301102490	disc	8
5	09121220590	base	1
6	09160101690	ring	1
7	09230103290	flow reducer	1
8	09141013090	seal	1
9	09160101790	ring	1
10	09171114690	distributor	1
11	09179705790	holder	1
12	09293004390	insert	1
13	09120107590	insert	1
14	09140311790	seal	1
15	092798004ff	rosette	1
16	09311104890	pin	1
17	09230105290	flow reducer	1

Flow rate chart



Trajectory Diagram

