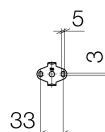
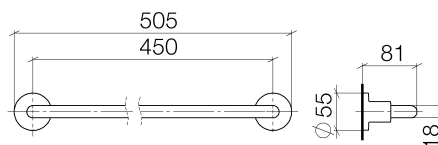




Product specifications

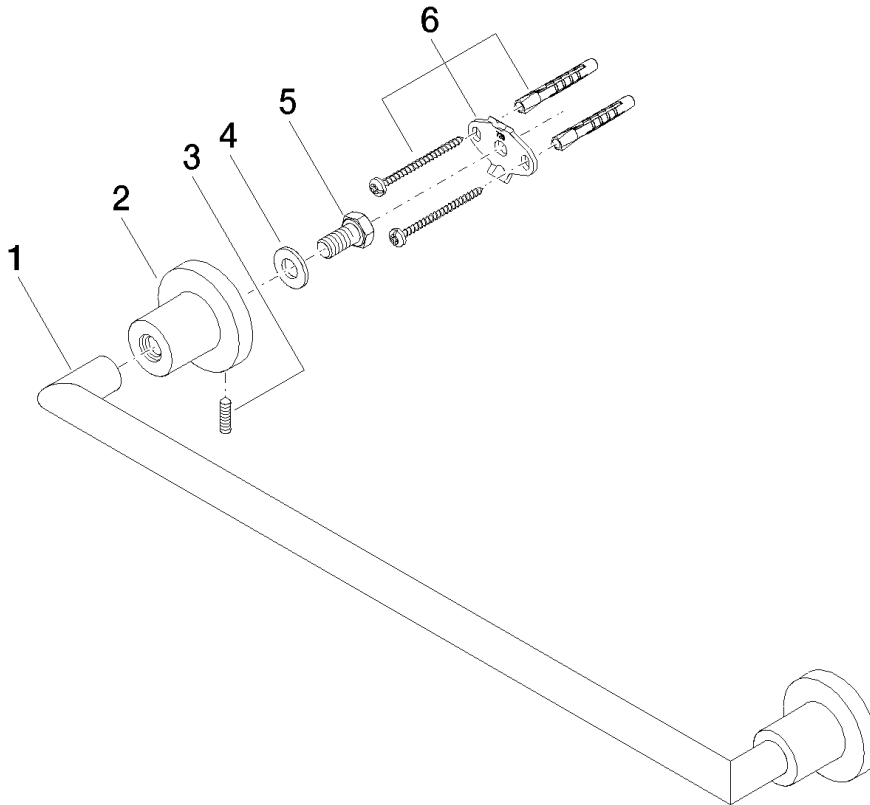
- gauge 450 mm
- width 505mm
- height 55 mm
- rosette \varnothing 55 mm
- 80 mm projection



Surfaces

- | | |
|-----------------|-------------|
| • chrome | 83045892-00 |
| • platinum matt | 83045892-06 |
| • platinum | 83045892-08 |
| • matt black | 83045892-33 |

Exploded assembly drawing





Order quantity

No.	Article number	Name	Installation quantity
1	05282258800ff	holder	1
2	081789505ff	holder	2
3	0431111130090	pin	2
4	09301104690	disc	2
5	09303007190	screw	2
6	0517207390090	fixing set	2