



## Sink - CL.1

Single-lever lavatory mixer without drain - Dark Platinum matte

Article number: 33 521 705-99 0010

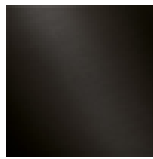


- 6-3/4" Projection
- Rigid spout
- Rectangular aerator with 40 individual streams
- Total height 8-7/8"
- 2-1/4" x 2" base dimension
- Height to aerator/spout outlet 8-3/8"
- 1-3/8" hole diameter
- 2x 10 mm flexible supply lines including 3/8" US adapters
- Water flow rate limited to max. 1.1 gpm
- lead-free

### Codes & Standards

- NSF/ANSI 372
- California Energy Commission (CEC)
- ASME A112.18.1/CSA B125.1
- NSF/ANSI/CAN 61
- ADA

- (ADA)



Dark Platinum matte

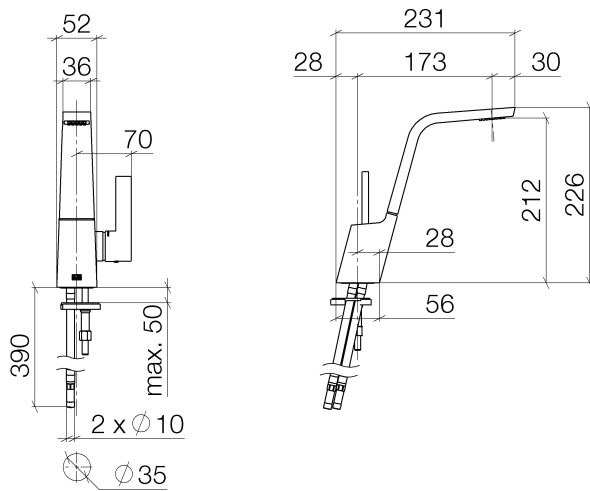


## Sink - CL.1

Single-lever lavatory mixer without drain - Dark Platinum matte

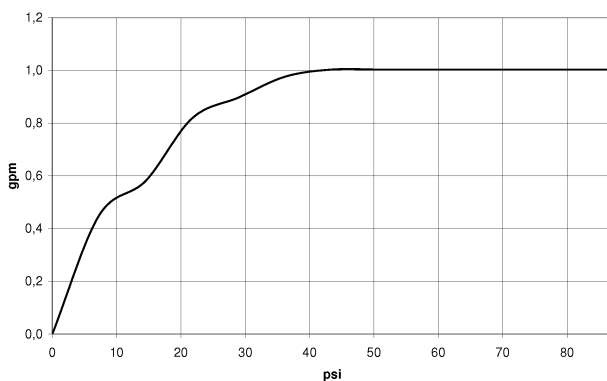
Article number: 33 521 705-99 0010

### Dimensional drawing



All dimensions in mm / inch = mm x 0,0394

### Flow rate chart





## Sink - CL.1

Single-lever lavatory mixer without drain - Dark Platinum matte

Article number: 33 521 705-99 0010

### Other surface finishes



polished chrome

33 521 705-00 0010



platinum matte

33 521 705-06 0010

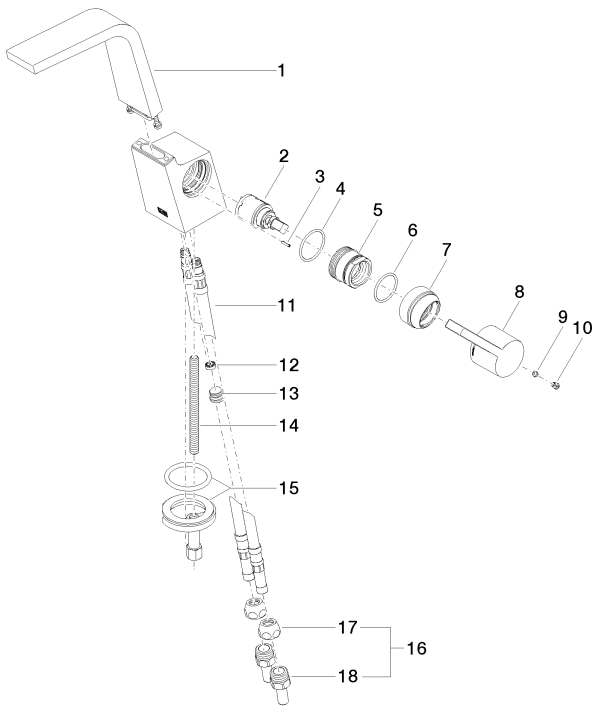
More custom finish options are available via special production (xTra Service). Please see our finish matrix for availability and pricing or contact a Dornbracht representative.

**Sink - CL.1**

Single-lever lavatory mixer without drain - Dark Platinum matte

Article number: 33 521 705-99 0010

**Spare parts list**



Number	Item Number	Designation	Number of units
1	90 11 70 001 00-99	spout	1
2	90 15 05 042 00 90	cartridge	1
3	09 31 11 152 90	pin	1
4	09 14 10 137 90	seal	1
5	09 24 04 294 90	sleeve	1
6	09 14 10 063 90	seal	1
7	09 28 30 029-99	cover	1
8	09 20 67 010-99	handle	1
9	09 31 11 030 90	pin	1
10	09 31 20 017 90	plug	1
11	04 30 04 018 00 90	hose	2
12	09 23 01 034 90	flow reducer	1
13	04 31 20 039 10 90	plug	1
14	09 31 11 012 90	pin	1
15	04 30 11 038 75 90	fixing set	1
16	04 24 04 222 00-99	adaptor	2
17	04 23 30 031 01-07	threaded connector	2
18	09 24 04 222 10-99	adaptor	2