

### PRODUCT SPECIFICATIONS

Elkay Fireclay 33" x 19-15/16" x 10-1/8", Equal Double Bowl Farmhouse Sink. Sink is molded from fine fireclay with a durable porcelain glaze providing a finish that is non-porous and resists staining. Naturally sound deadening and Center drain placement.



<b>Installation Type:</b>	Farmhouse
<b>Material:</b>	Fireclay
<b>Finish:</b>	Biscuit (BI), White (WH)
<b>Number of Bowls:</b>	2
<b>Sink Dimensions:</b>	33" x 19-15/16" x 10-1/8"
<b>Bowl 1 Dimensions:</b>	15-3/8" x 18-1/8" x 9"
<b>Bowl 2 Dimensions:</b>	15-3/8" x 18-1/8" x 9"
<b>Drain Size:</b>	3-1/2" (89mm)
<b>Drain Location:</b>	Center
<b>Minimum Cabinet Size:</b>	36"

**Special Note:** Sink is reversible offering the option of a traditional flat front or a decorative band feature



### AMERICAN PRIDE. A LIFETIME TRADITION.

Like your family, the Elkay family has values and traditions that endure. For almost a century, Elkay has been a family-owned and operated company, providing thousands of jobs that support our families and communities.

**Product Compliance:** ASME A112.19.2/CSA B45.1



Intertek



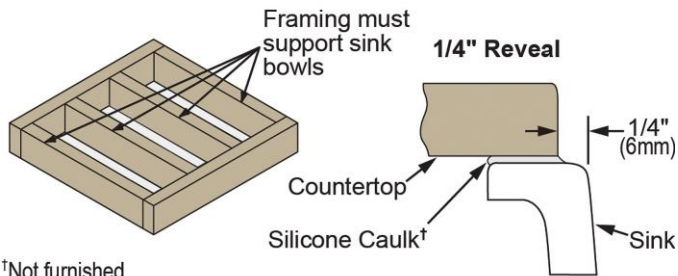
Sinks are listed by IAPMO<sup>®</sup> as meeting the applicable requirements of the Uniform Plumbing Code<sup>®</sup>, International Plumbing Code<sup>®</sup>, and National Plumbing Code of Canada.

[Clean and Care Manual \(PDF\)](#)

[Installation Instructions \(PDF\)](#)

[Limited Lifetime Warranty \(PDF\)](#)

### Installation Profile:

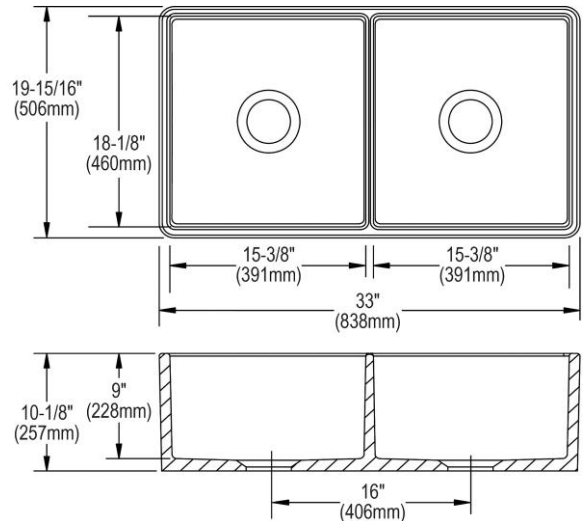


†Not furnished

Designed to affix to the underside of any solid surface countertop.

### OPTIONAL ACCESSORIES

<b>Bottom Grid:</b>	LKBG1417SS
<b>Drain:</b>	LK99FC, LK99FCS
<b>Faucet:</b>	LKEC2037
<b>Rinsing Basket:</b>	LKWRB1518SS



PART: \_\_\_\_\_ QTY: \_\_\_\_\_

PROJECT: \_\_\_\_\_

CONTACT: \_\_\_\_\_

DATE: \_\_\_\_\_

NOTES: \_\_\_\_\_

APPROVAL: \_\_\_\_\_

In keeping with our policy of continuing product improvement, Elkay reserves the right to change product specifications without notice. Please visit [elkay.com](http://elkay.com) for the most current version of Elkay product specification sheets. This specification describes an Elkay product with design, quality, and functional benefits to the user. When making a comparison of other producers' offerings, be certain these features are not overlooked.