

SHOWER
M-Series Full Thermostatic
Shower System
GL3.112SH-RH0

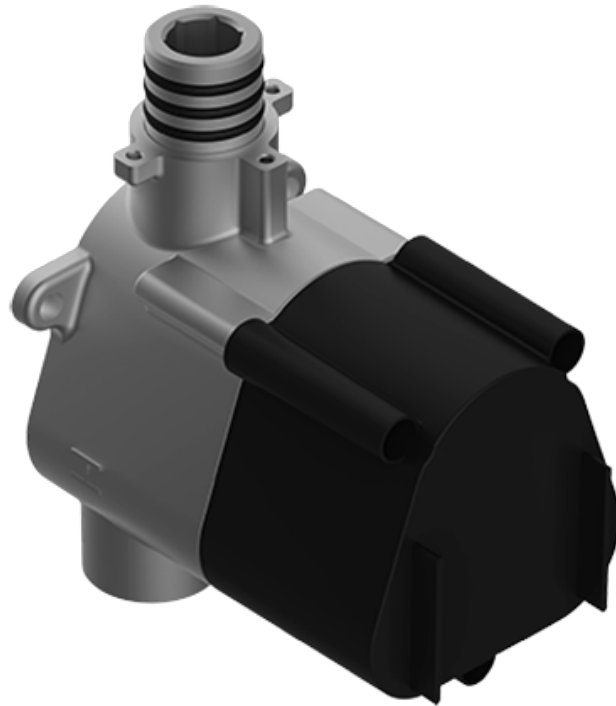
GRAFF®



Information

- 3/4" thermostatic valve and trim
- 8" showerhead with 12" wall-mounted shower arm
- Swivel body sprays (3 pieces)
- Wall-mounted slide bar set with handshower and 59" hose
- Stop/volume control valve and 2-way diverter valve
- Showerhead features no-clog, easy-clean spray nozzles
- Optional extension kit
- 3/4" thermostatic rough valve flow rate ~12.9 gpm @60 psi
- Flow rates: showerhead \leq 1.8 max gpm, handshower \leq 1.5 max gpm, body sprays \leq 1.5 max gpm each

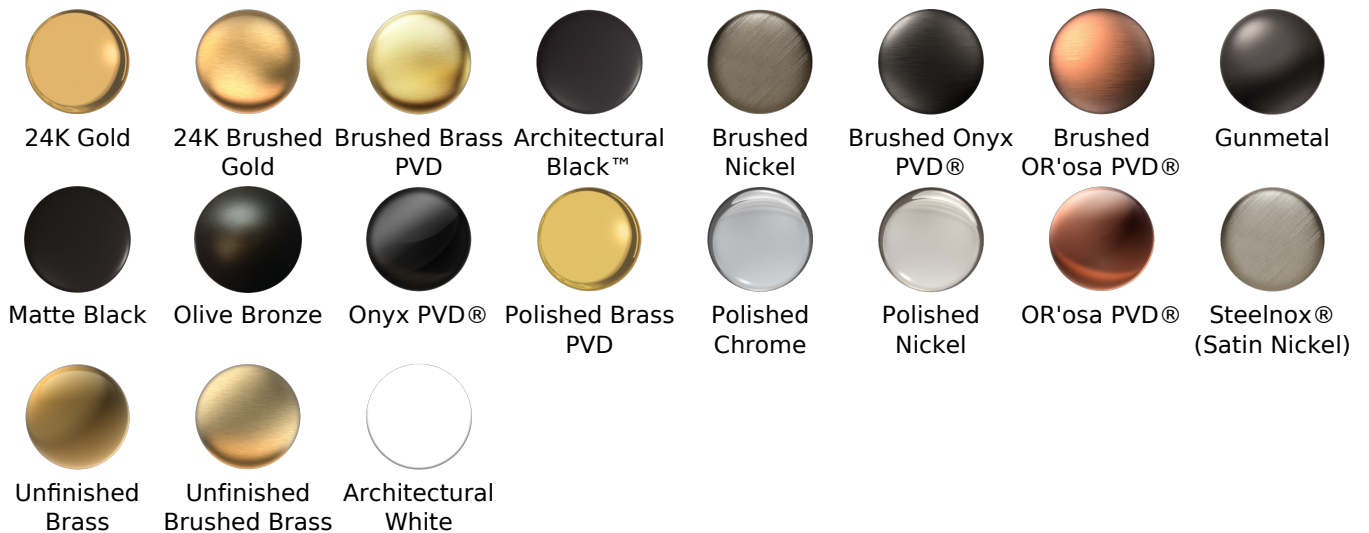
SHOWER
 Thermostatic Rough Valve
G-8006



Information

- 12.9 gpm @ 60 psi
- 3/4" universal inlets
- Built-in service stops
- Stacking outlet feature
- Complete serviceability from front of all units
- Supplied with protective plastic cover
- CalGreen compliant dependent on functions

Finishes



G-8006

M-Series

3/4" Concealed Thermostatic Rough Valve



Product Features

- 12.9 gpm @ 60 psi
- 3/4" universal inlets
- Built-in service stops
- Stacking outlet feature
- Complete serviceability from front of all units
- Supplied with protective plastic cover
- CalGreen compliant dependent on functions

Code Compliance

- CALGreen

Warranty

- Limited lifetime warranty

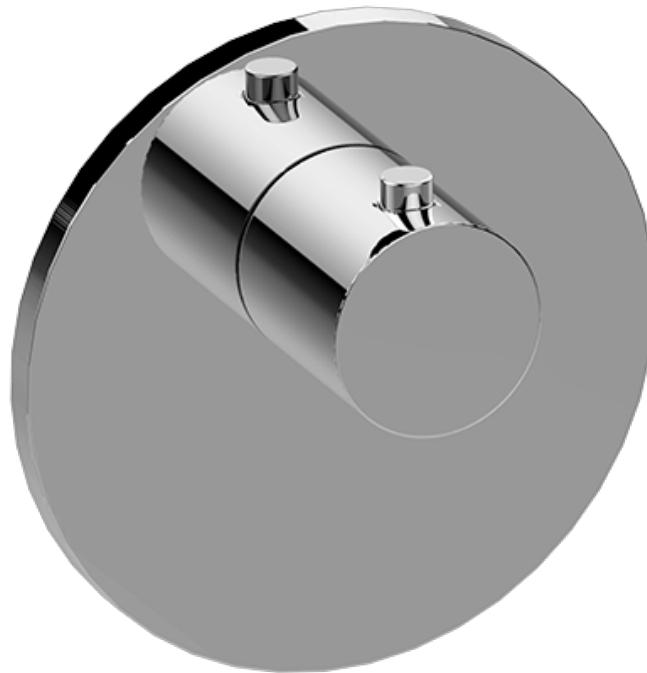
For complete warranty information go to www.graff-faucets.com/en/info/faqs



The measurements shown are for reference only. Products and specifications shown are subject to change without notice. Revised 3/2016.

www.graff-faucets.com | phone: 800-954-4723

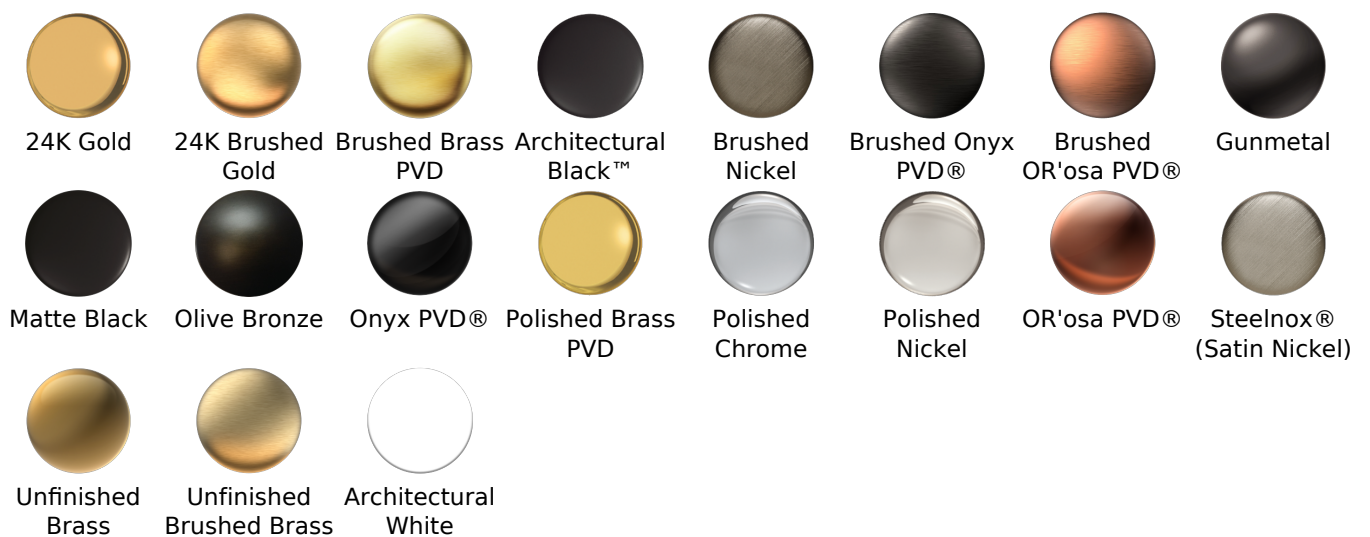
SHOWER
M-Series Round Thermostatic
Valve Trim Plate and Handle
G-8037-RH-T



Information

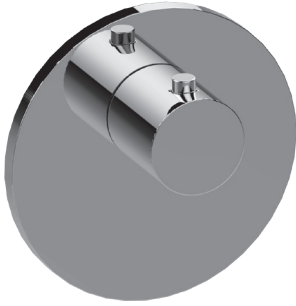
- Single metal handle
- Decorative trim plate
- Use with G-8006 thermostatic rough valve
- To complete package, you must order rough valve

Finishes



G-8037-RH-T

M-Series Round Thermostatic Valve Trim Plate and Handle



Product Features

- Single metal handle
- Decorative trim plate
- To complete package, you must order G-8006 thermostatic rough valve

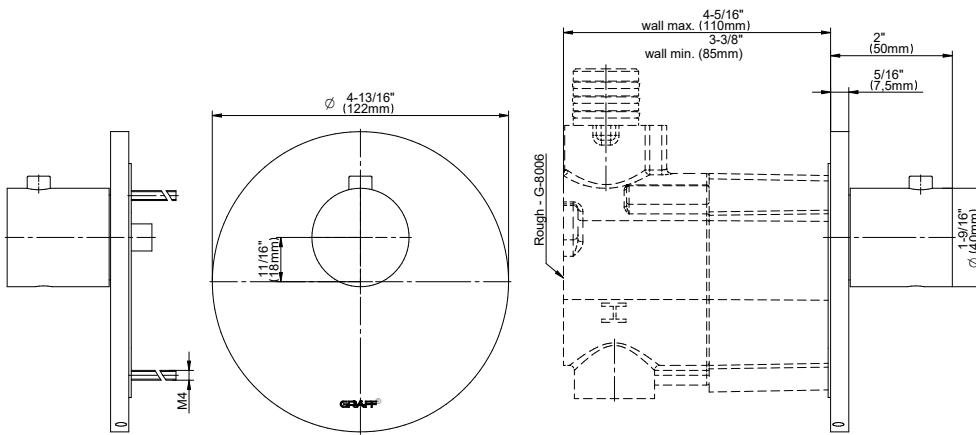
Warranty

- Limited lifetime warranty

For complete warranty information go to <https://www.graff-designs.com/en/info/faqs>

Available Finishes

- Polished Chrome
G-8037-RH-PC-T
- Polished Nickel
G-8037-RH-PN-T
- Brushed Nickel
G-8037-RH-BNi-T
- Matte Black*
G-8037-RH-MBK-T*
- Architectural Black*
G-8037-RH-BK-T*
- Architectural White*
G-8037-RH-WT-T*
- Unfinished Brushed Brass*
G-8037-RH-UBB-T*
- Unfinished Brass*
G-8037-RH-UB-T*
- Steinox (Satin Nickel)
G-8037-RH-SN-T
- Olive Bronze*
G-8037-RH-OB-T*
- Gunmetal*
G-8037-RH-GM-T*
- OR'osa PVD*
G-8037-RH-RG-T*
- Brushed OR'osa PVD*
G-8037-RH-BRG-T*
- Onyx PVD*
G-8037-RH-OX-T*
- Brushed Onyx PVD*
G-8037-RH-BOX-T*
- Polished Brass PVD*
G-8037-RH-PB-T*
- Brushed Brass PVD*
G-8037-RH-OX-T*
- 24K Brushed Gold*
G-8037-RH-BAU-T*
- 24K Gold*
G-8037-RH-AU-T*

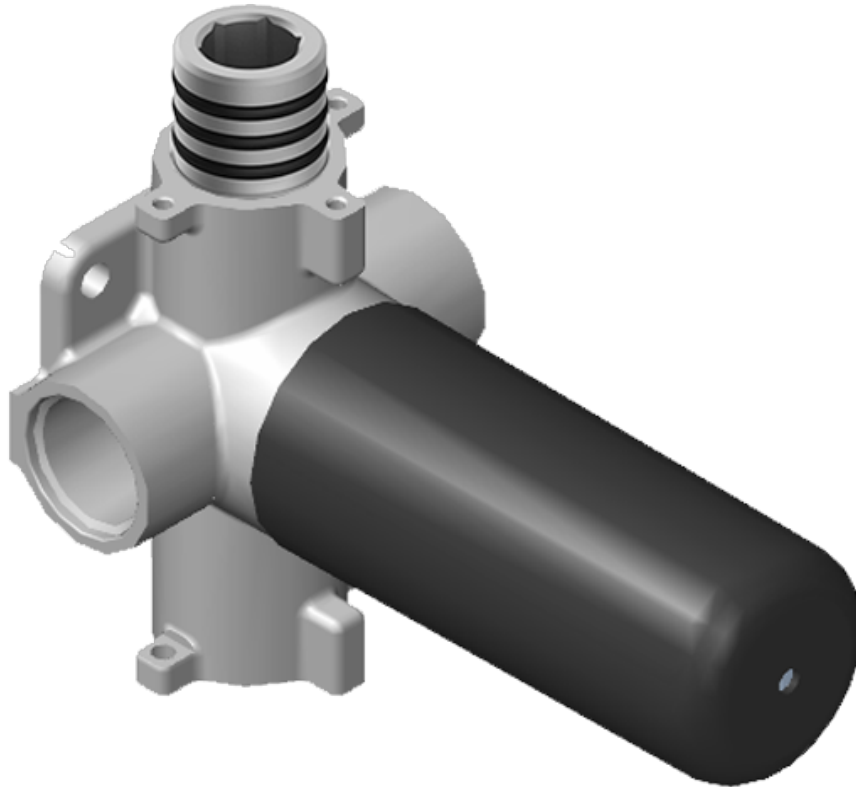


* Special order finish- call for availability

The measurements shown are for reference only. Products and specifications shown are subject to change without notice. Revised 10/2019

www.graff-designs.com | phone: 800-954-4723

SHOWER
 Two-Way Diverter Volume Control
 Valve WITH Off Function and Pass-
 Through
G-8052



Information

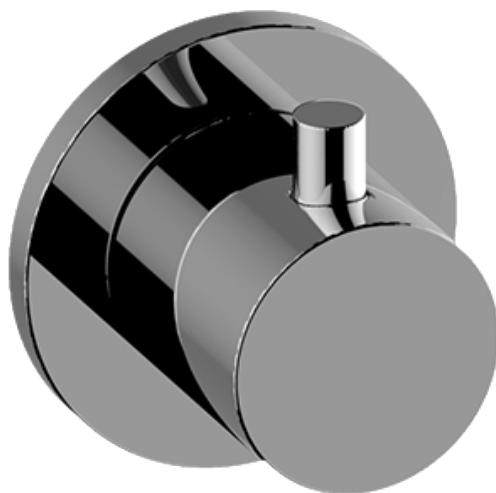
- 11.7 gpm @ 60 psi
- 3/4" universal inlets/outlets with female threads
- Operates one function at a time
- Stacking inlet and pass-through port feature
- Supplied with protective plastic cover
- CALGreen compliant depending on functions

Finishes



Unfinished Unfinished Architectural
Brass Brushed Brass White

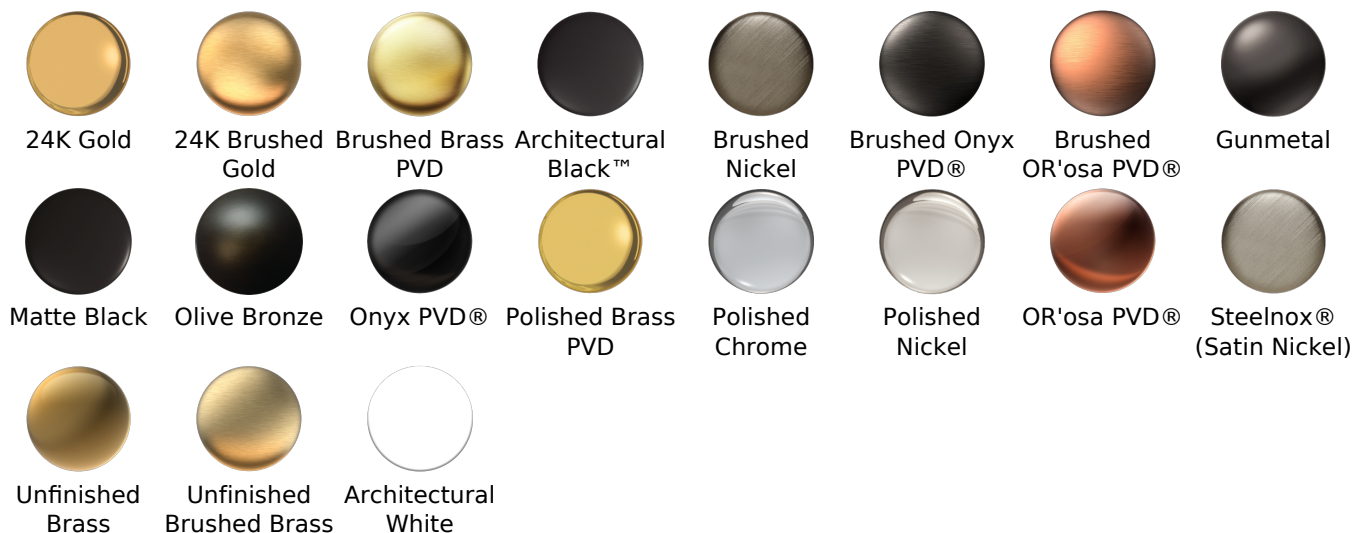
SHOWER
M-Series Round Two-Way Diverter
Valve Trim Plate and Handle
G-8068-RH1-T



Information

- Single metal handle
- Decorative trim plate
- Use with G-8052 2-way diverter (pass through) control rough valve WITH off function
- To complete package, you must order rough valve

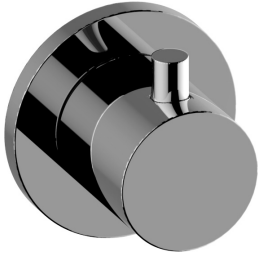
Finishes



G-8068-RH1-T

M-Series Round Two-Way Diverter Valve Trim Plate and Handle

GRAFF®



Product Features

- Single metal handle
- Decorative trim plate
- To complete package, you must order G-8052 2-way diverter volume control valve WITH off function and pass through

Warranty

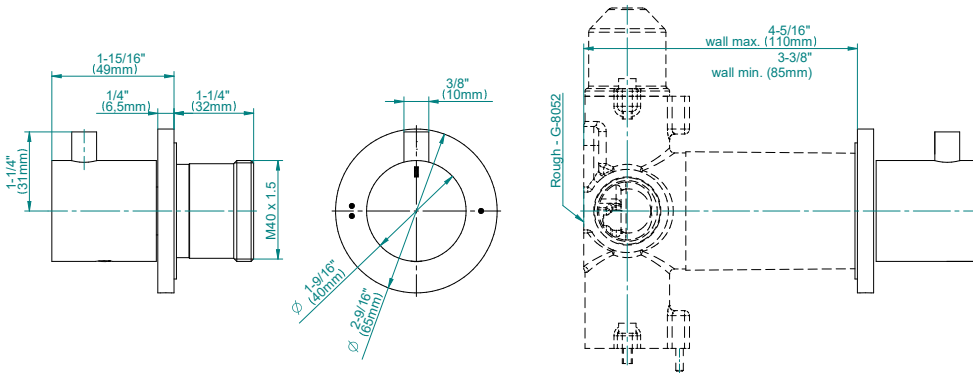
- Limited lifetime warranty

For complete warranty information go to <https://www.graff-designs.com/en/info/faqs>

Available Finishes

- Polished Chrome
G-8068-RH1-PC-T
- Polished Nickel
G-8068-RH1-PN-T
- Brushed Nickel
G-8068-RH1-BNi-T
- Matte Black*
G-8068-RH1-MBK-T*
- Architectural Black*
G-8068-RH1-BK-T*
- Architectural White*
G-8068-RH1-WT-T*
- Unfinished Brushed Brass*
G-8068-RH1-UBB-T*
- Unfinished Brass*
G-8068-RH1-UB-T*
- Steinox (Satin Nickel)
G-8068-RH1-SN-T
- Olive Bronze*
G-8068-RH1-OB-T*
- Gunmetal*
G-8068-RH1-GM-T*
- OR'osa PVD*
G-8068-RH1-RG-T*
- Brushed OR'osa PVD*
G-8068-RH1-BRG-T*
- Onyx PVD*
G-8068-RH1-OX-T*
- Brushed Onyx PVD*
G-8068-RH1-BOX-T*
- Polished Brass PVD*
G-8068-RH1-PB-T*
- Brushed Brass PVD*
G-8068-RH1-OB-T*
- 24K Brushed Gold*
G-8068-RH1-BAU-T*
- 24K Gold*
G-8068-RH1-AU-T*

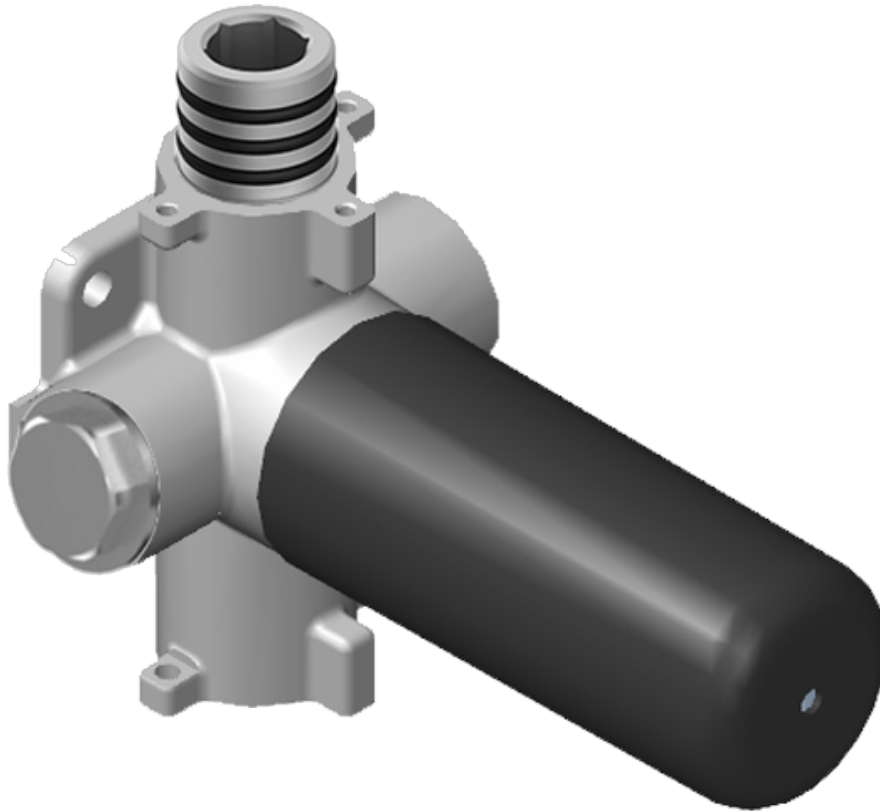
* Special order finish- call for availability



The measurements shown are for reference only. Products and specifications shown are subject to change without notice. Revised 10/2019

www.graff-designs.com | phone: 800-954-4723

SHOWER
 Stop/Volume Control Valve with
 Pass Through
G-8076



Information

- 12.3 gpm @ 60 psi
- 3/4" universal inlets/outlets with female threads
- Stacking inlet and pass-through port feature
- Supplied with protective plastic cover
- CalGreen compliant dependent on functions

Finishes

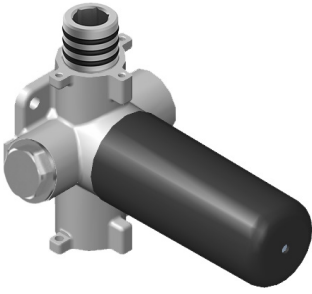


G-8076

M-Series

Stop/Volume Control Rough Valve with Pass-Through

GRAFF[®]
CUTTING EDGE DESIGN



Product Features

- 13.2 gpm @ 60 psi
- 3/4" universal inlets/outlets with female threads
- Stacking inlet and pass-through port feature
- Supplied with protective plastic cover
- CalGreen compliant dependent on functions

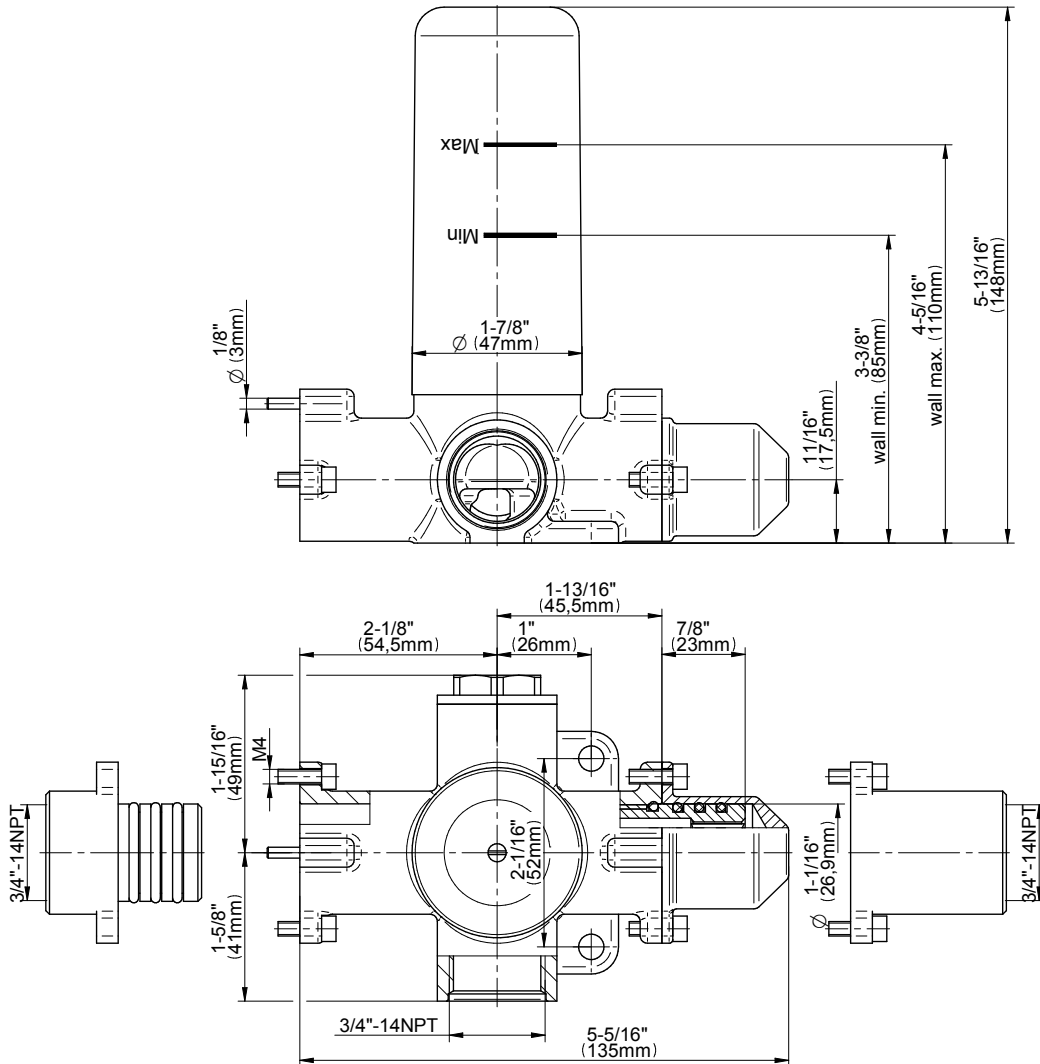
Code Compliance

- CALGreen

Warranty

- Limited lifetime warranty

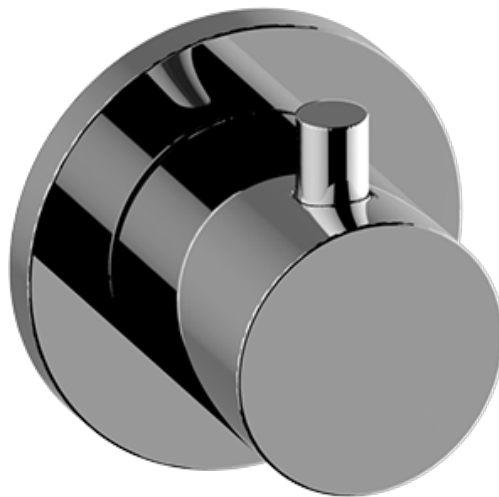
For complete warranty information go to www.graff-faucets.com/en/info/faqs



The measurements shown are for reference only. Products and specifications shown are subject to change without notice. Revised 3/2016.

www.graff-faucets.com | phone: 800-954-4723

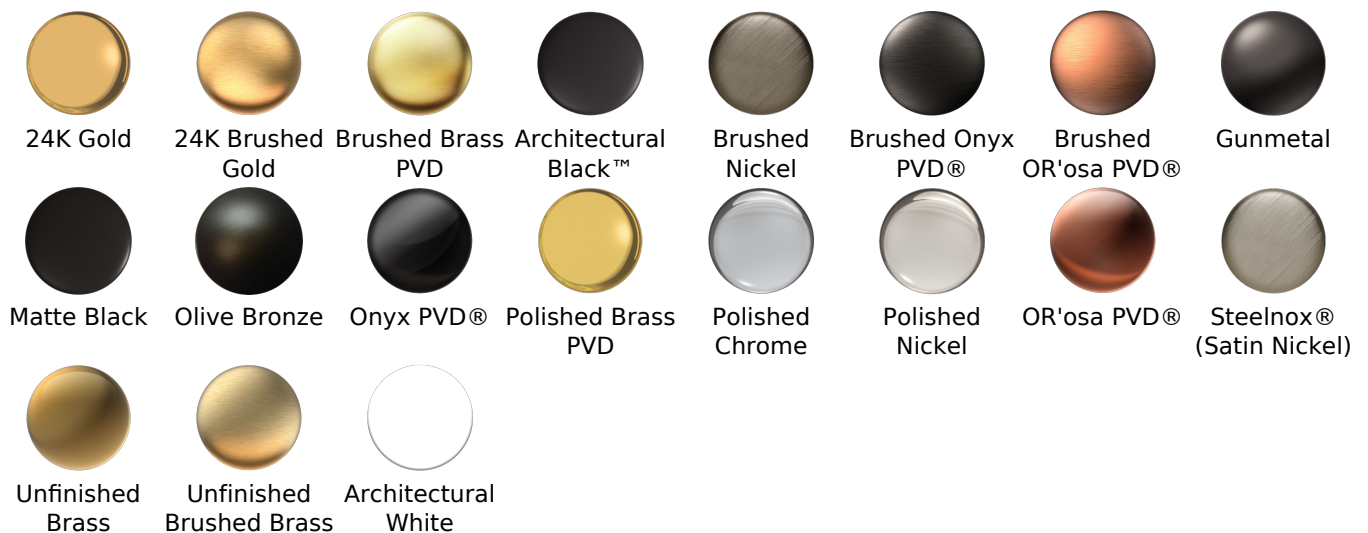
SHOWER
M-Series Round Stop/Volume
Control Trim Plate and Handle
G-8097-RH1-T



Information

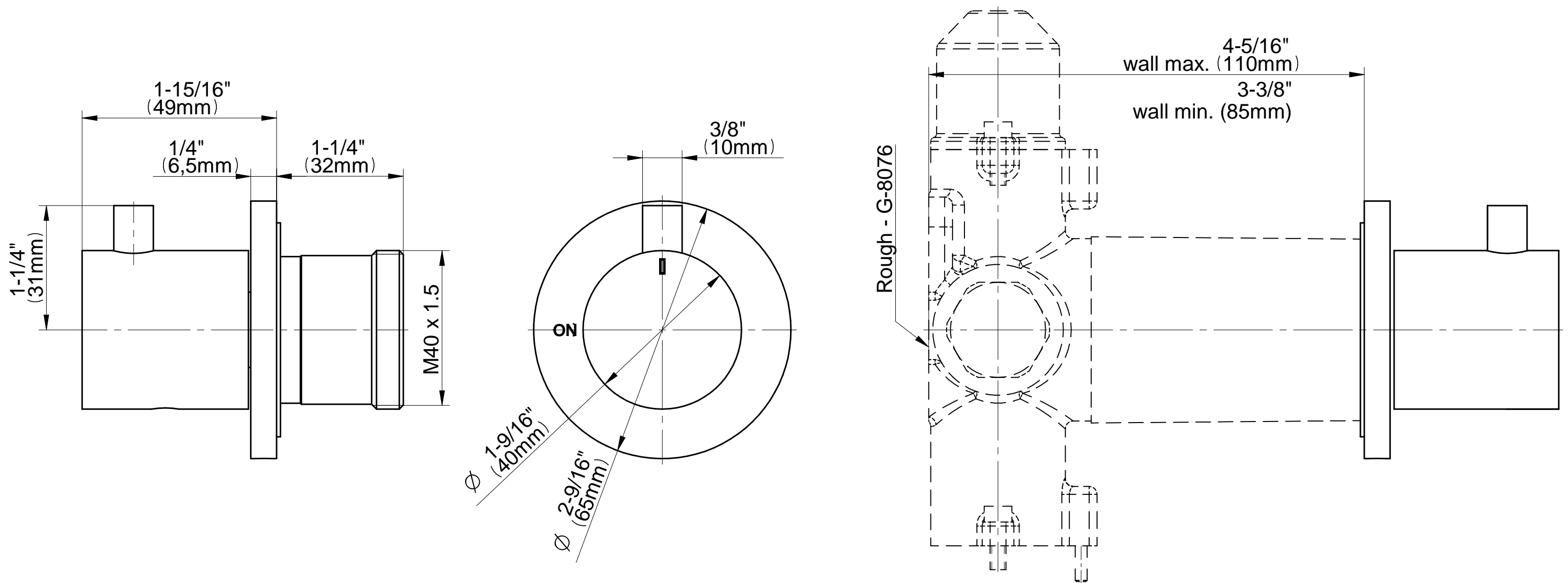
- Single metal handle
- Decorative trim plate
- Use with G-8076 Stop/Volume Control rough valve with Pass-Through or G-8077 Stop/Volume Control rough valve
- To complete package, you must order rough valve

Finishes



G-8097-RH1-T

Stop/Volume Control Valve - Trim - M-Series



GRAFF[®]
CUTTING EDGE DESIGN

SHOWER
8" Round Brass Showerhead
G-8449

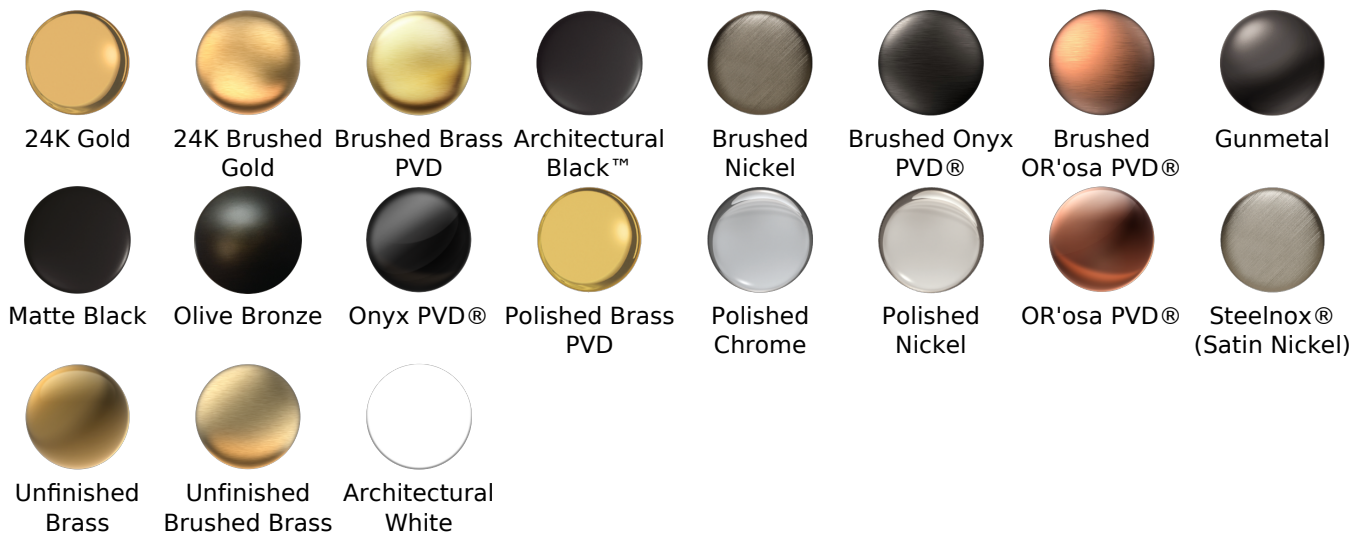
GRAFF®



Information

- 1/4" thick
- 169 no-clog, easy-clean rubber spray nozzles
- Recommended use with ceiling shower arm
- Recommended for use at no more than 10 degrees tilt
- Showerhead flow rate ≤ 1.8 max gpm
- CALGreen

Finishes



G-8449

Aqua-Sense Collection
Contemporary 8" Round Showerhead

GRAFF[®]
CUTTING EDGE DESIGN

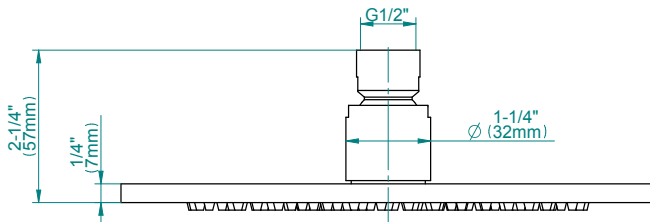
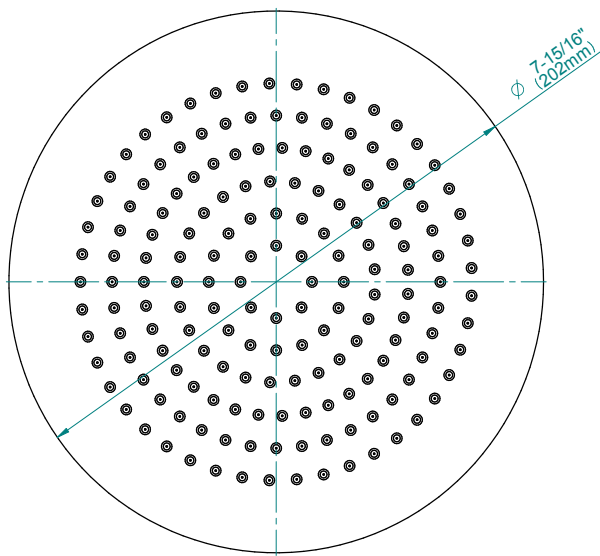
Product Features

- 1/4" thick
- 169 no-clog, easy-clean rubber spray nozzles
- Showerhead flow rate ≤ 1.8 max gpm

Available Finishes

- Polished Chrome
G-8449-PC
- Brushed Nickel
G-8449-PN
- Polished Nickel
G-8449-BNi
- Unfinished Brass*
G-8449-UB*
- Steinox
G-8449-SN
- Olive Brass*
G-8449-OB*
- Architectural Black with Chrome Accents*
G-8449-PC/BK*
- Brushed Gold*
G-8449-BAU

* Special order finish- call for availability



Code Compliance

- CALGreen

Warranty

- Limited lifetime warranty

For complete warranty information go to www.graff-designs.com/en-nam/warranty

The measurements shown are for reference only. Products and specifications shown are subject to change without notice. Revised 12/2017

www.graff-designs.com | phone: 800-954-4723

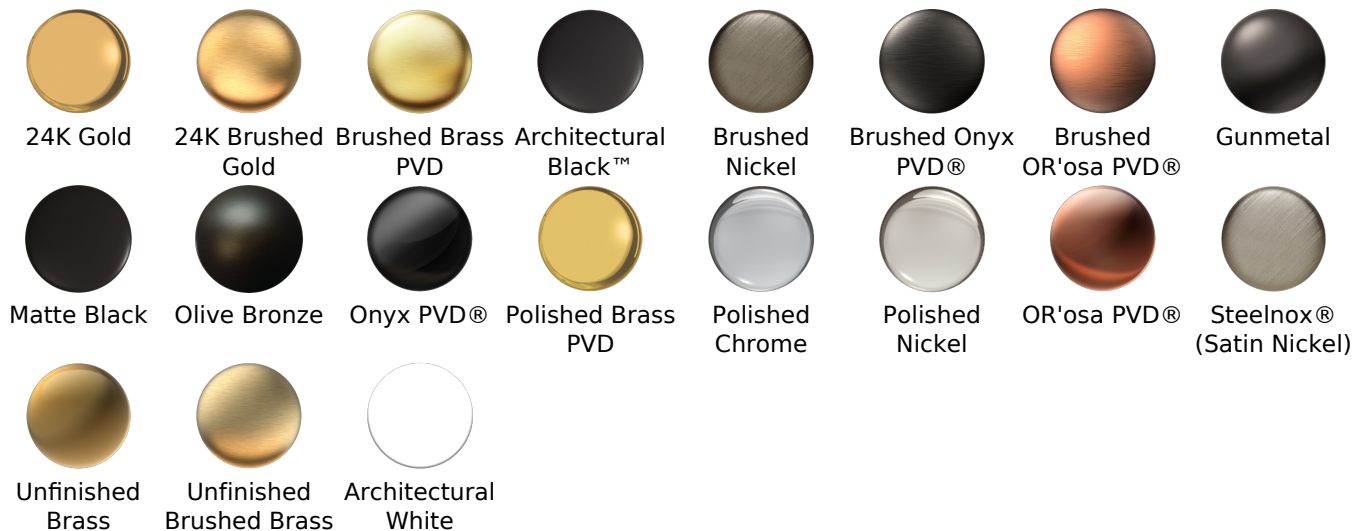
SHOWER
 Contemporary Flush Mount Body
 Spray w/ Solid Brass Swivel Head
G-8495



Information

- 12 no-clog, easy-clean silicon jets
- Metal ball-joint allows for 18° angle adjustment of body spray
- Brass wall escutcheon and flush-mounted trim
- 1/2" NPT female thread inlet
- Body spray flow rate ≤ 1.5 max gpm

Finishes



G-8495

Shower Components

Contemporary Flush-Mount Body Spray with Solid Brass Swivel Head

GRAFF®



Product Features

- 12 no-clog, easy-clean silicone jets
- Metal ball-joint allows for 18° angle adjustment of body spray
- Brass wall escutcheon and flush-mounted trim
- 1/2" NPT female thread inlet
- Body spray flow rate ≤ 1.5 max gpm

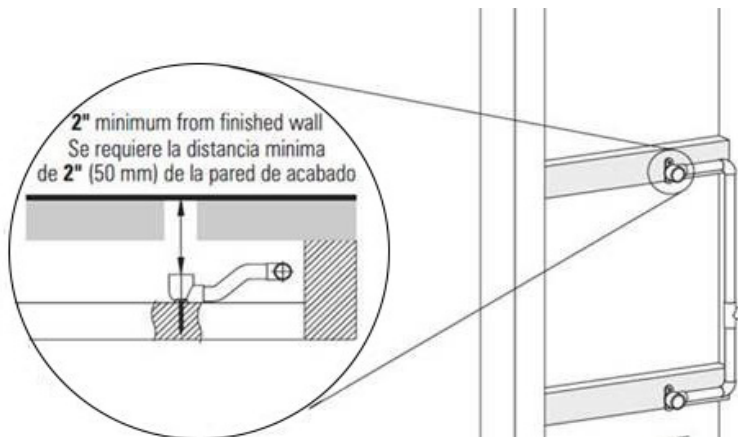
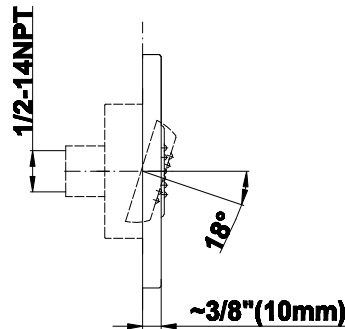
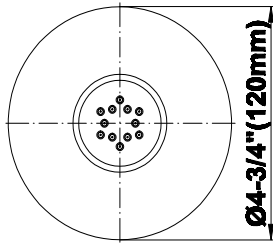
Warranty

- Limited lifetime warranty

For complete warranty information go to www.graff-designs.com/en-nam/warranty

Available Finishes

- Polished Chrome
G-8495-PC
- Polished Nickel
G-8495-PN
- Brushed Nickel
G-8495-BNi
- Unfinished Brushed Brass*
G-8495-UBB*
- Unfinished Brass*
G-8495-UB*
- Matte Black*
G-8495-MBK*
- Architectural Black*
G-8495-BK*
- Architectural White*
G-8495-WT*
- Olive Brass*
G-8495-OB*
- Gunmetal*
G-8495-GM*
- Vintage Brushed Brass*
G-8495-VBB*
- Steelnox
G-8495-SN
- OR'osa PVD*
G-8495-RG*
- Onyx PVD*
G-8495-OX*
- Polished Brass PVD*
G-8495-PB*
- Brushed Brass PVD*
G-8495-BB*
- Brushed Gold*
G-8495-BAU*
- Gold*
G-8495-AU*
- Gunmetal Distressed*
G-8495-GMD*



* Special order finish- call for availability

SHOWER
Contemporary 12" Shower Arm
G-8503

GRAFF®



Information

- Includes arm and solid round flange
- 1/2" NPT male thread inlet
- For use with all showerheads

Finishes



G-8503

Shower Components

Contemporary 12" Shower Arm

GRAFF®



Product Features

- Includes arm and round flange
- 1/2" NPT male thread inlet
- For use with all showerheads

Warranty

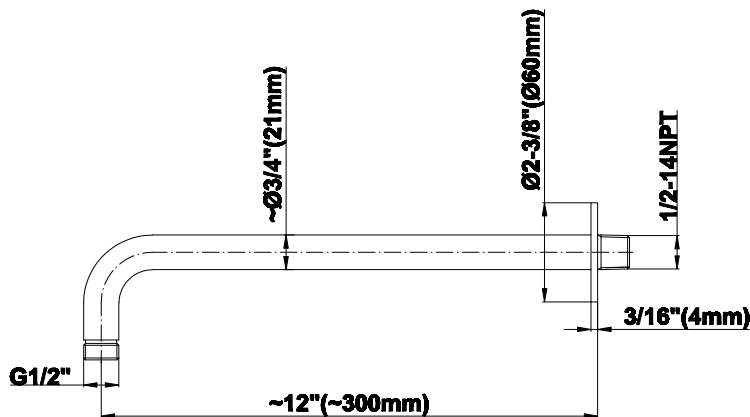
- Limited lifetime warranty

For complete warranty information go to www.graff-designs.com/en-nam/warranty

Available Finishes

- Polished Chrome
G-8503-PC
- Polished Nickel
G-8503-PN
- Brushed Nickel
G-8503-BNi
- Unfinished Brushed Brass*
G-8503-UBB*
- Unfinished Brass*
G-8503-UB*
- Matte Black*
G-8503-MBK*
- Architectural Black*
G-8503-BK*
- Architectural White*
G-8503-WT*
- Steelnox (Satin Nickel)*
G-8503-SN*
- Olive Brass*
G-8503-OB*
- Gunmetal*
G-8503-GM*
- Vintage Brushed Brass*
G-8503-VBB*
- OR'osa PVD*
G-8503-RG*
- Brushed OR'osa PVD*
G-8503-BRG*
- Onyx PVD*
G-8503-OX*
- Brushed Onyx PVD*
G-8503-BOX*
- Polished Brass PVD*
G-8503-PB*
- Brushed Brass PVD*
G-8503-BB*
- 24K Brushed Gold*
G-8503-BAU*
- 24K Gold*
G-8503-AU*
- Gunmetal Distressed*
G-8503-GMD*

* Special order finish- call for availability



The measurements shown are for reference only. Products and specifications shown are subject to change without notice. Revised 10/2019

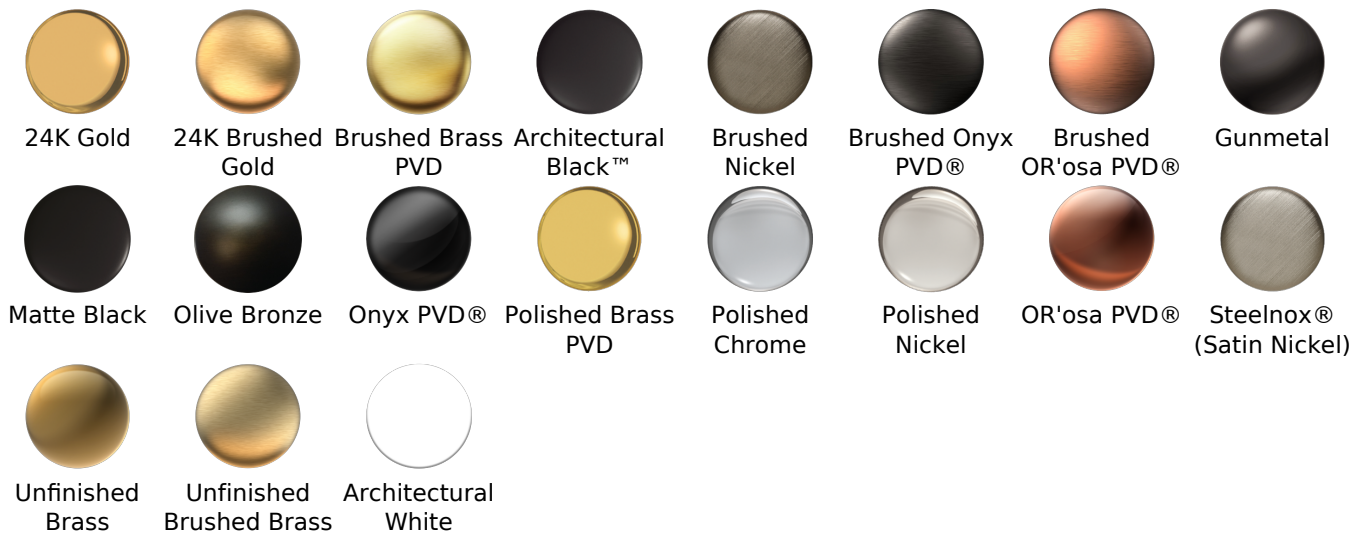
www.graff-designs.com | phone: 800-954-4723



Information

- Brass spiral flexible hose with conical nut

Finishes





Product Features

- Brass spiral flexible hose with conical nut

Warranty

- Limited lifetime warranty

For complete warranty information go to www.graff-designs.com/en-nam/warranty

Available Finishes

- Polished Chrome
G-8605-PC
- Polished Nickel
G-8605-PN
- Brushed Nickel
G-8605-BNi
- Unfinished Brushed Brass*
G-8605-UBB*
- Unfinished Brass*
G-8605-UB*
- Matte Black*
G-8605-MBK*
- Architectural Black*
G-8605-BK*
- Architectural White*
G-8605-WT*
- Olive Brass*
G-8605-OB*
- Gunmetal*
G-8605-GM*
- Vintage Brushed Brass*
G-8605-VBB*
- Steelnox (Satin Nickel)
G-8605-SN
- 24K Brushed Gold*
G-8605-BAU*
- 24K Gold*
G-8605-AU*
- Gunmetal Distressed*
G-8605-GMD*

* Special order finish- call for availability



SHOWER
 Contemporary Square Wall-
 Mounted Slide Bar
G-8631



Information

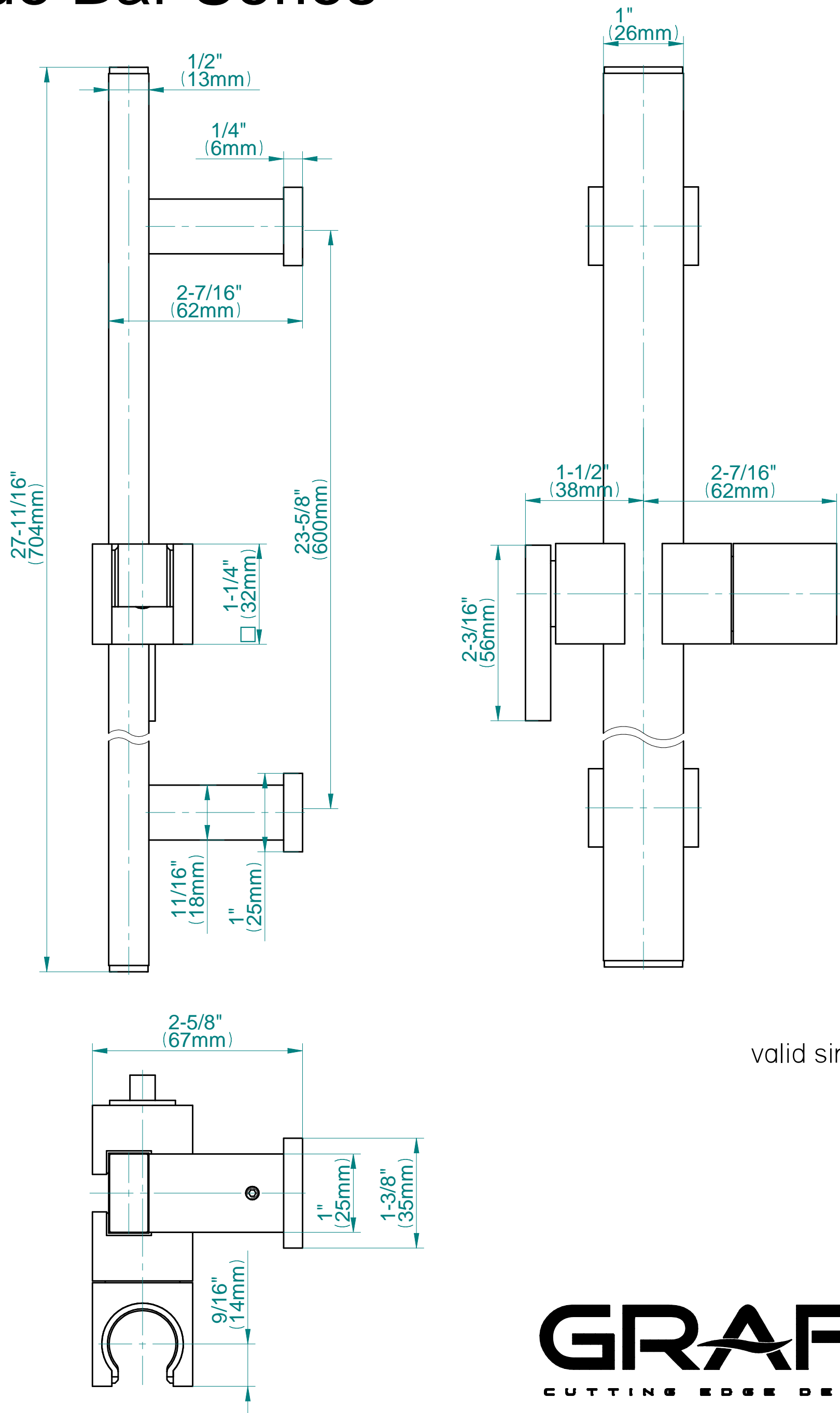
- 27 11/16" tall wall-mounted slide bar
- Adjustable bracket fits all hoses with conical nut

Finishes



G-8631

Slide Bar Series



valid since 2014

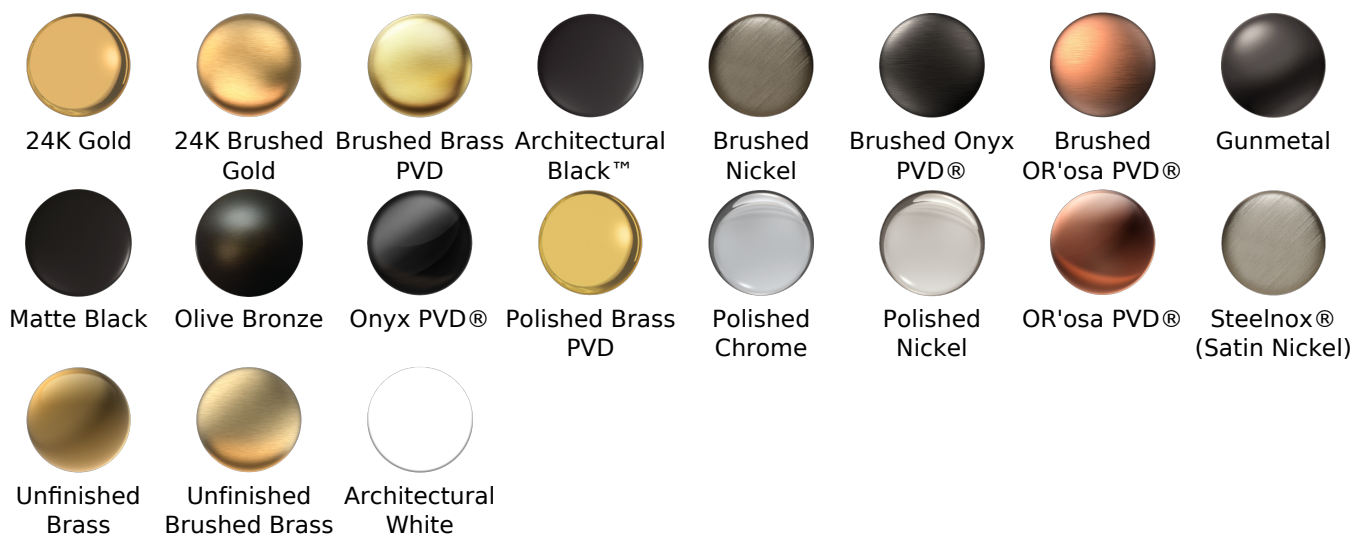
SHOWER
 Contemporary Wall-Mounted Slide
 Bar
G-8641



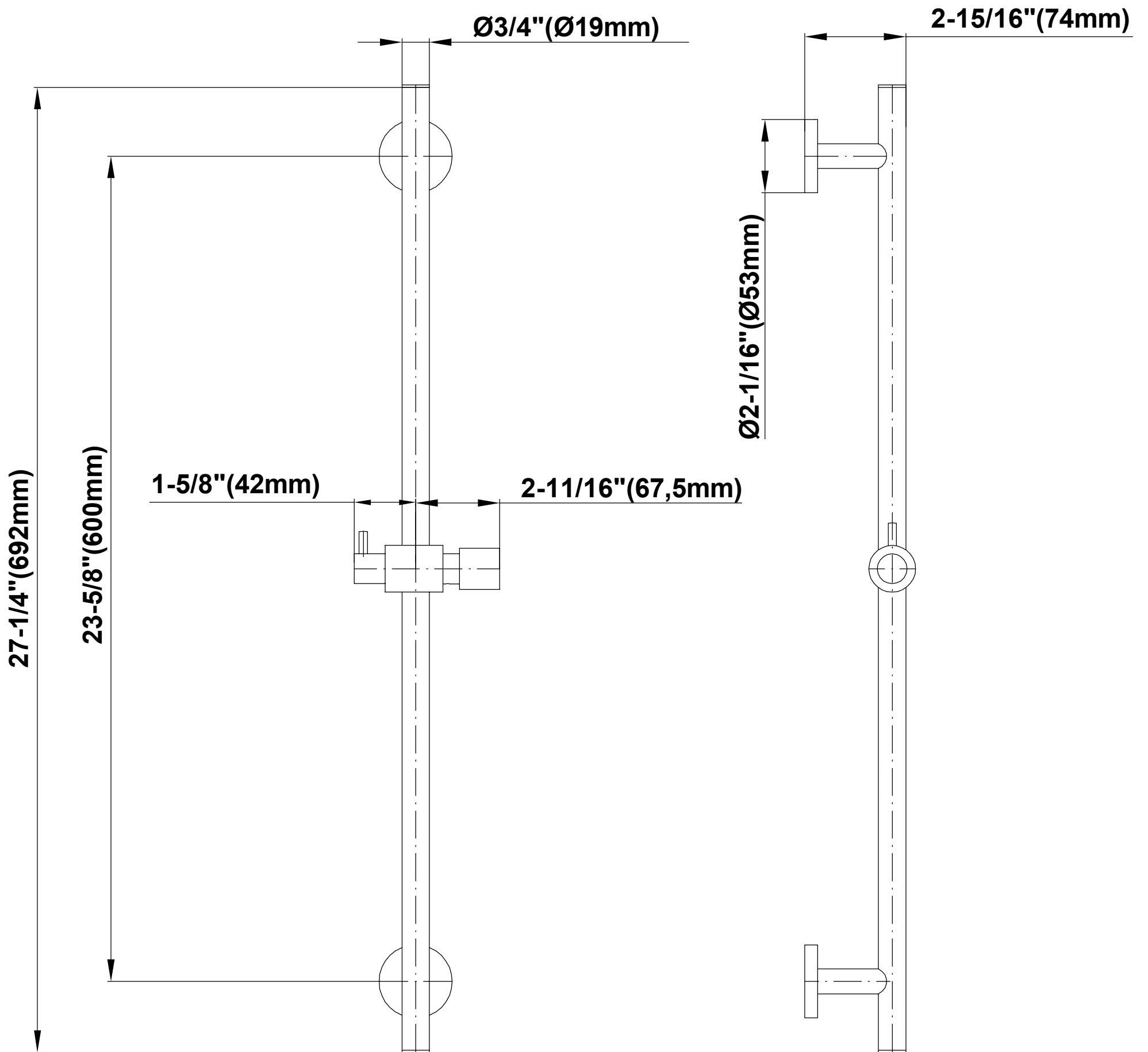
Information

- 27 1/4" tall wall-mounted slide bar
- Adjustable bracket fits all hoses with conical nut

Finishes



G - 864 1



SHOWER
 Contemporary Round Handshower
G-8714



Information

- Solid brass construction
- Smooth, all-metal handle
- Shower hose not included
- Handshower flow rate ≤ 1.5 max gpm
- CALGreen

Finishes



G-8714

Contemporary Round Handshower



Product Features

- Solid brass construction
- Smooth, all-metal handle
- Aerated flow rate ≤ 1.5 max gpm
- Shower hose not included

Code Compliance

- CalGreen compliant

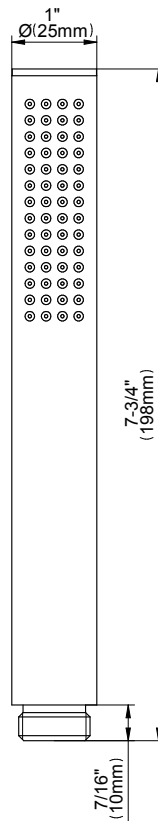
Available Finishes

- Polished Chrome
G-8714-PC
- Brushed Nickel
G-8714-BNi
- Polished Nickel
G-8714-PN
- Steelnox[®]
G-8714-SN
- Olive Bronze[™]
G-8714-OB
- Architectural Black[™]
G-8714-BK
- Architectural White
G-8714-WT

Warranty

- Limited lifetime warranty

For complete warranty information go to
<http://www.graff-faucets.com/en/info/faqs>



The measurements shown are for reference only. Products and specifications shown are subject to change without notice. Revised 02/2017.

www.graff-faucets.com | phone: 800-954-4723