

SHOWER  
Camden M-Series Thermostatic  
Shower System - Tub and Shower  
with Handshower  
**GT3.K22SH-LM48E0**

---

**GRAFF®**



## Information

- 3/4" thermostatic valve and trim
- 3/4" stop/volume control valve and 2-way diverter valve and trims
- 9" showerhead with 11" wall-mounted shower arm
- Showerhead features no-clog, easy-clean spray nozzles
- Handshower set with wall bracket and 59" hose (PVD finishes use 59" flex hose)
- 8" matching Camden collection tub spout
- Optional extension kit
- Flow rates: showerhead  $\leq$  1.8 max gpm, handshower  $\leq$  1.8 max gpm
- ADA

SHOWER  
8" Camden Tub Spout  
**G-6965**

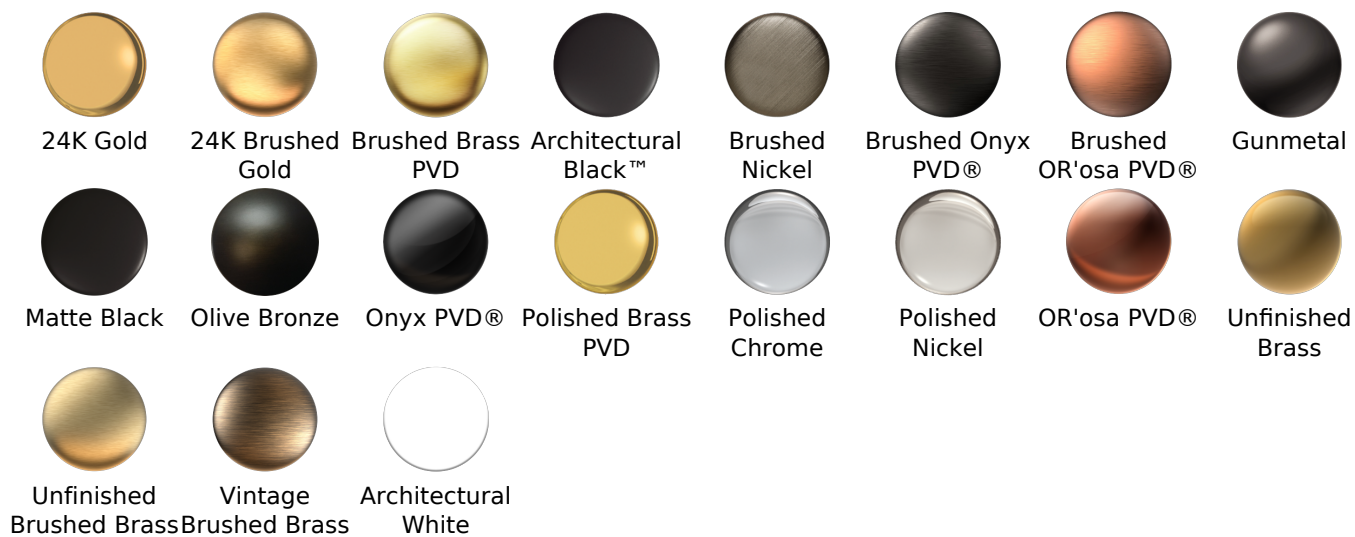
**GRAFF®**



**Information**

- Includes spout ring
- 1/2" NPT male thread inlet
- Tub spout flow rate ~ 13.9 gpm @60 psi
- ADA

**Finishes**



## G-6965

Camden Collection  
8" Camden Tub Spout

**GRAFF**<sup>®</sup>  
CUTTING EDGE DESIGN



### Product Features

- Includes spout ring
- 1/2" NPT female thread inlet
- Tub spout flow rate ~ 13.9 @60 psi

### Available Finishes

- Polished Chrome  
G-6965-PC
- Brushed Nickel  
G-6965-BNi
- Polished Nickel  
G-6965-PN
- Olive Bronze  
G-6965-OB
- Unfinished Brass\*  
G-6965-UB\*
- Gold\*  
G-6965-AU\*
- Brushed Gold\*  
G-6965-BAU\*

\* Special order finish- call for availability

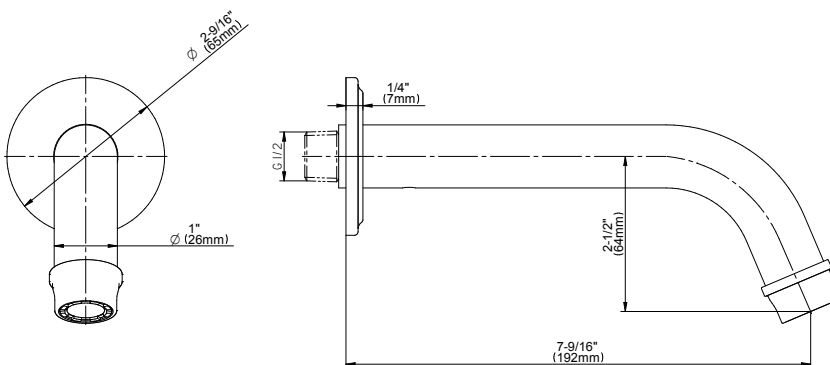
### Code Compliance

- CALGreen

### Warranty

- Limited lifetime warranty

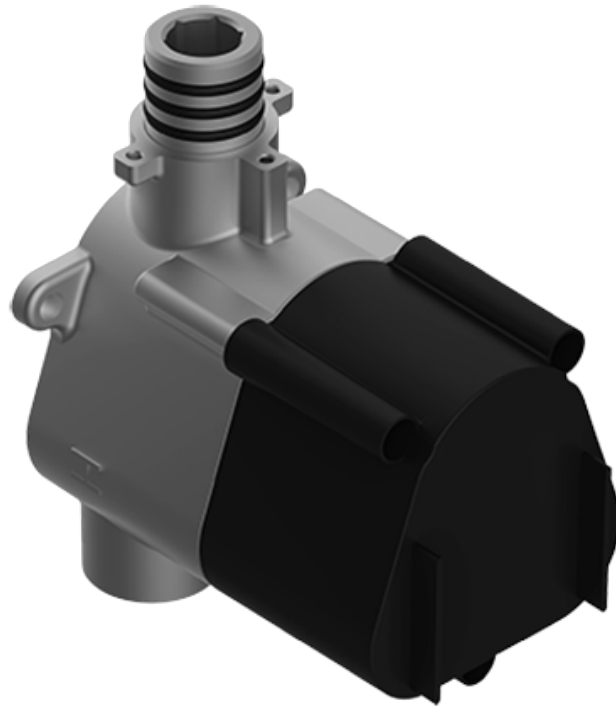
For complete warranty information go to  
<https://www.graff-faucets.com/en/info/faqs>



The measurements shown are for reference only. Products and specifications shown are subject to change without notice. Revised 5/2018.

[www.graff-designs.com](http://www.graff-designs.com) | phone: 800-954-4723

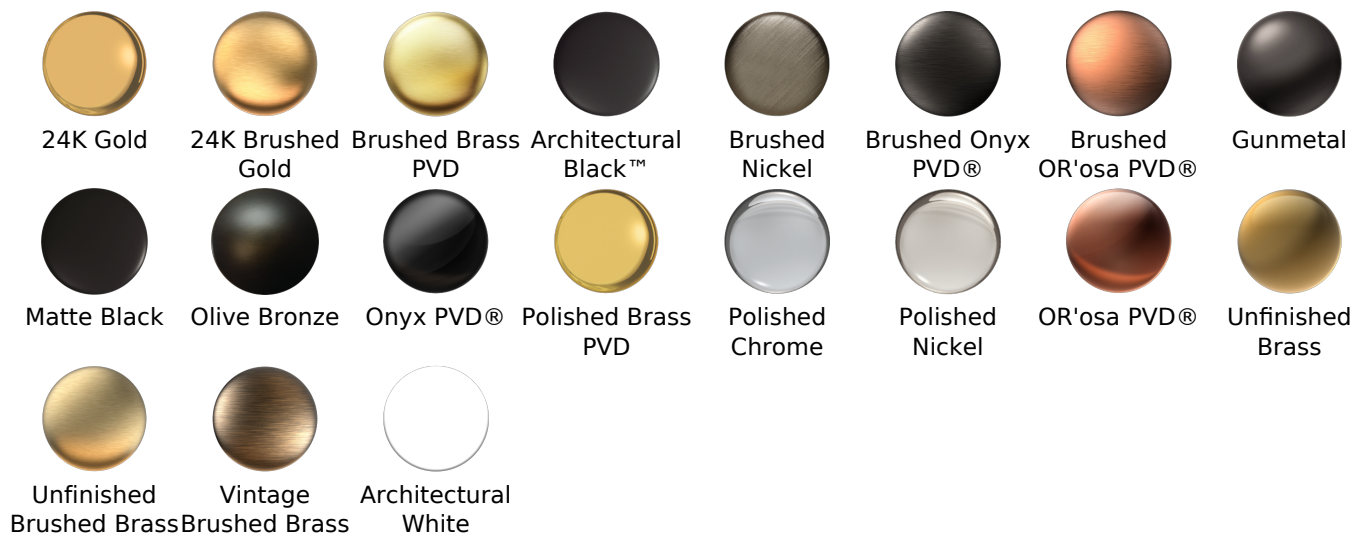
SHOWER  
 Thermostatic Rough Valve  
**G-8006**



**Information**

- 12.9 gpm @ 60 psi
- 3/4" universal inlets
- Built-in service stops
- Stacking outlet feature
- Complete serviceability from front of all units
- Supplied with protective plastic cover
- CalGreen compliant dependent on functions

**Finishes**

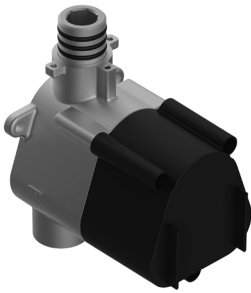




# G-8006

M-Series

3/4" Concealed Thermostatic Rough Valve



## Product Features

- 12.9 gpm @ 60 psi
- 3/4" universal inlets
- Built-in service stops
- Stacking outlet feature
- Complete serviceability from front of all units
- Supplied with protective plastic cover
- CalGreen compliant dependent on functions

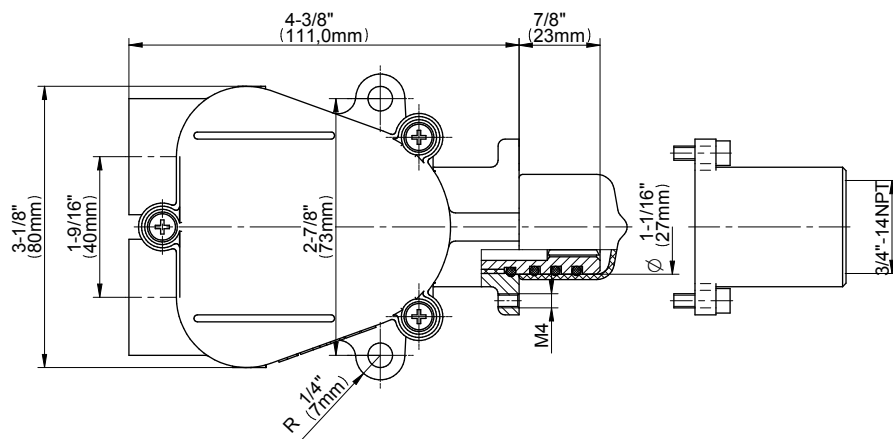
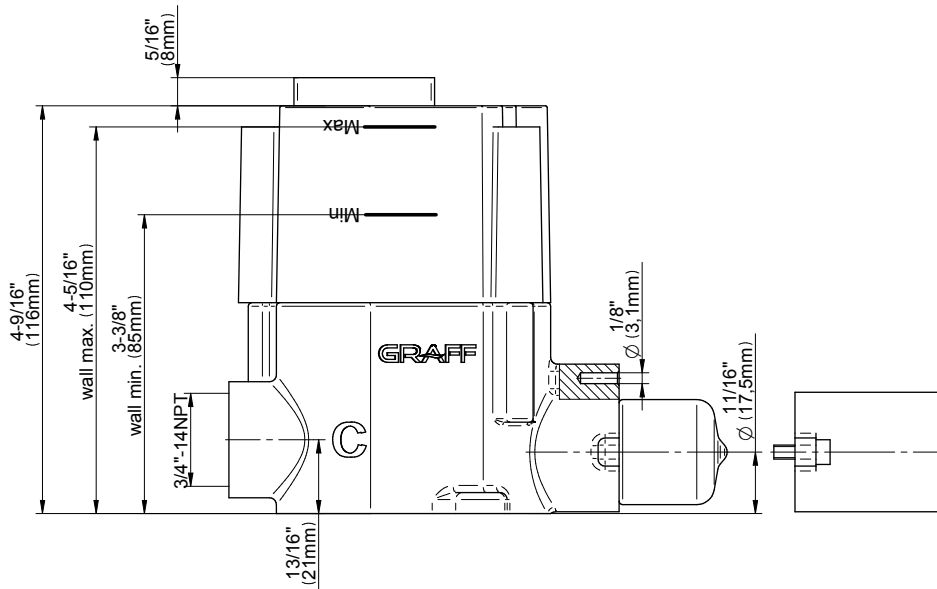
## Code Compliance

- CALGreen

## Warranty

- Limited lifetime warranty

For complete warranty information go to [www.graff-faucets.com/en/info/faqs](http://www.graff-faucets.com/en/info/faqs)



The measurements shown are for reference only. Products and specifications shown are subject to change without notice. Revised 3/2016.

[www.graff-faucets.com](http://www.graff-faucets.com) | phone: 800-954-4723

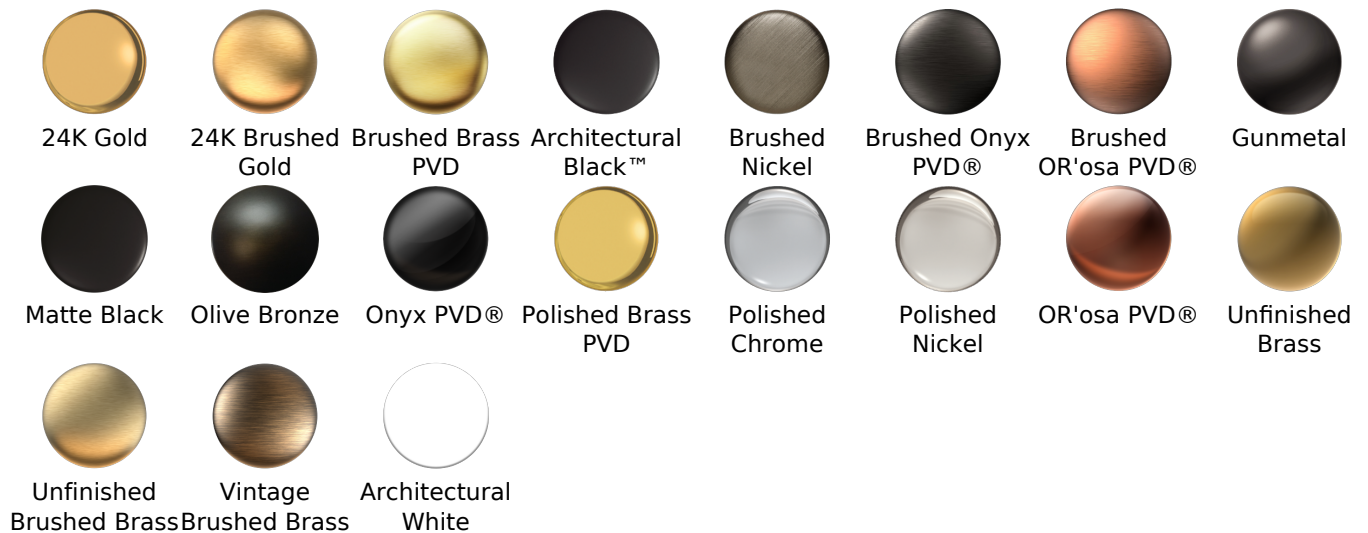
SHOWER  
M-Series Thermostatic Valve and  
Trim with Handle  
**G-8031-LM48E-T**



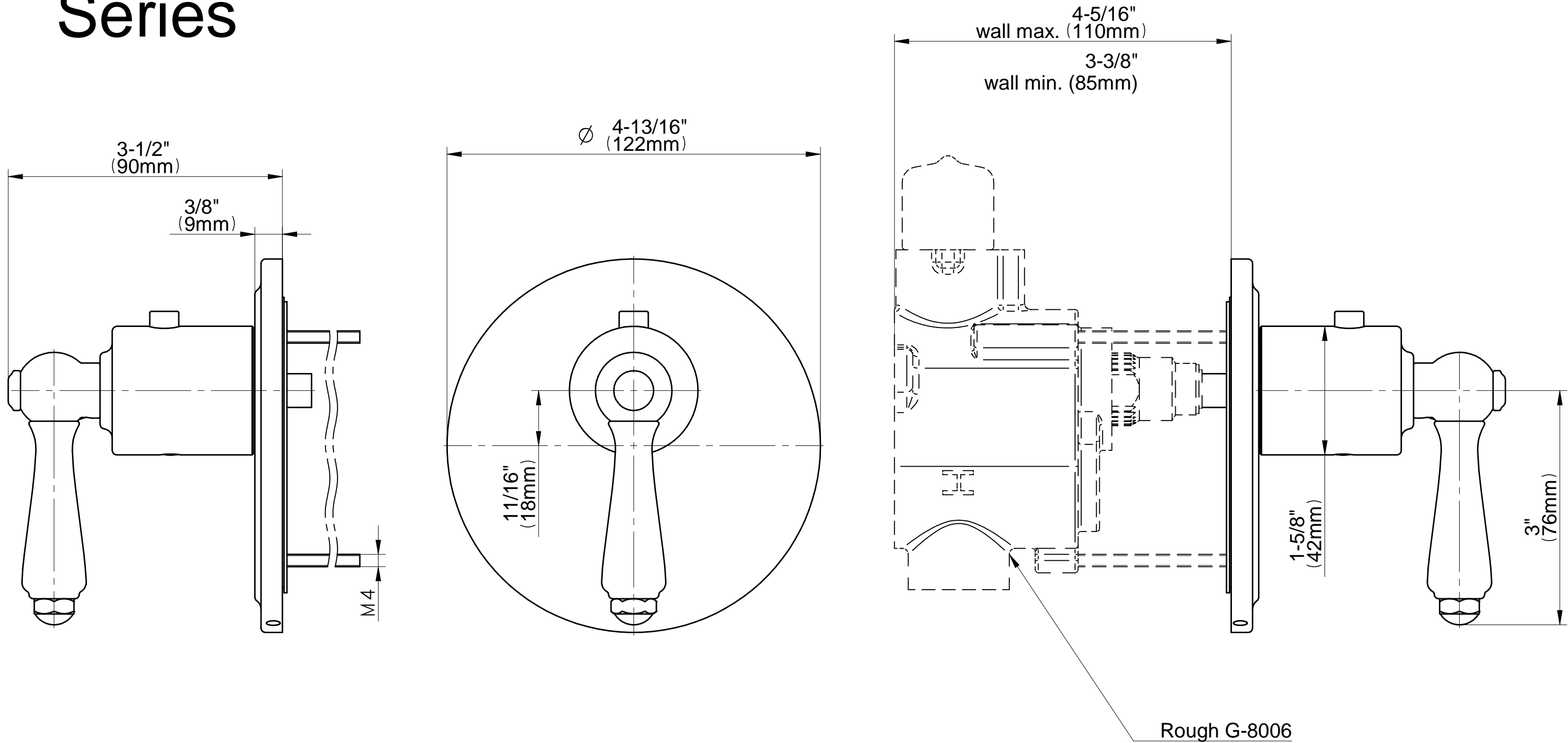
**Information**

- Single metal handle and decorative trim plate
- Use with G-8006 thermostatic rough valve
- ADA

**Finishes**



# G-8031-LM48E-T Series











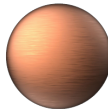










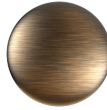
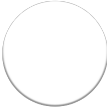
SHOWER  
M-Series Stop/Volume Control  
Valve Trim with Handle  
**G-8034-LM48E1-T**



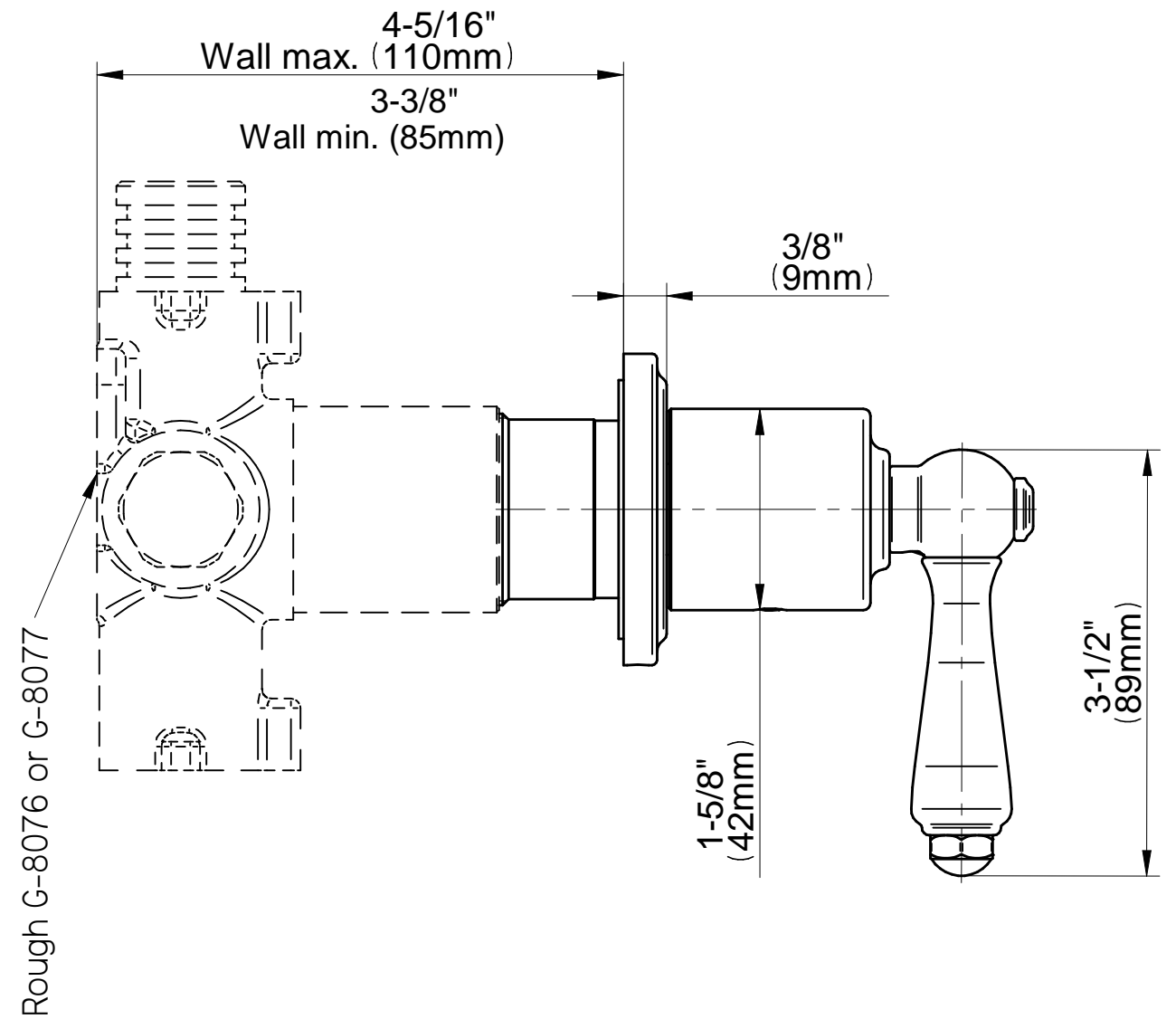
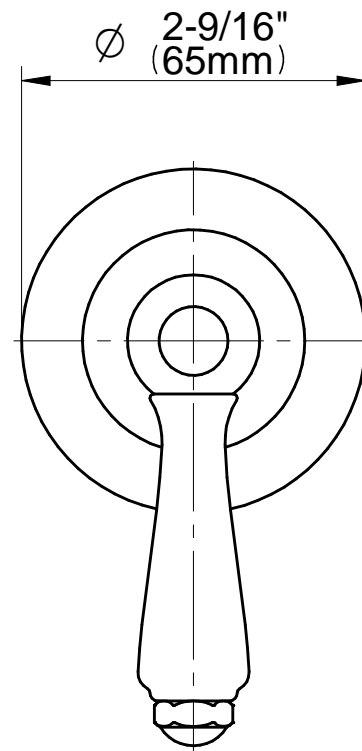
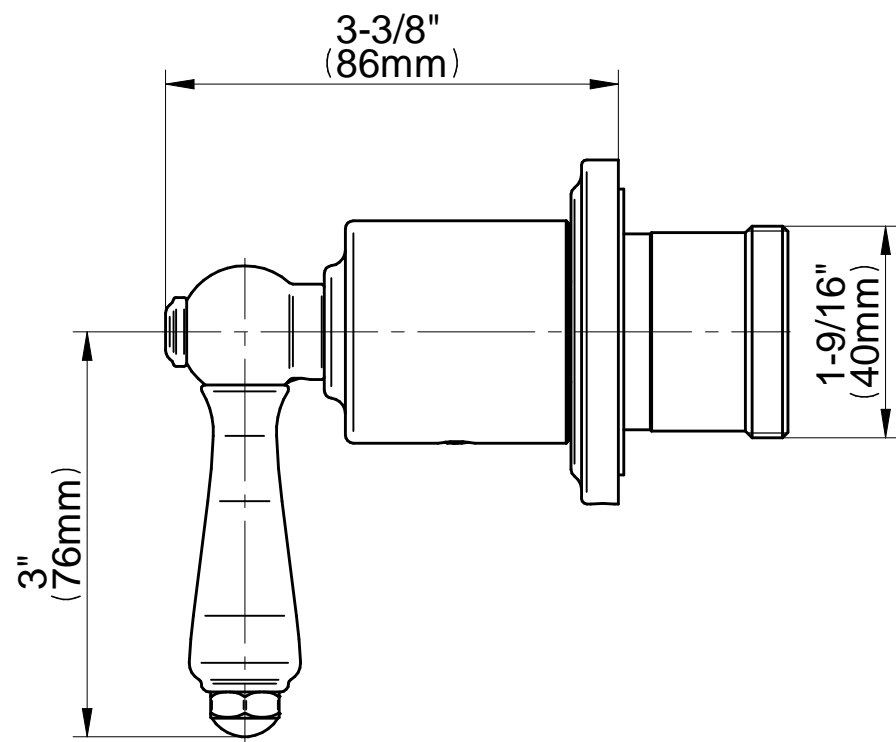
**Information**

- Single metal handle and decorative trim plate
- Use with G-8076 Stop/Volume Control rough Valve with Pass-Through or G-8077 Stop/Volume Control rough valve
- ADA

**Finishes**

							
24K Gold	24K Brushed Gold	Brushed Brass PVD	Architectural Black™	Brushed Nickel	Brushed Onyx PVD®	Brushed OR'osa PVD®	Gunmetal
							
Matte Black	Olive Bronze	Onyx PVD®	Polished Brass PVD	Polished Chrome	Polished Nickel	OR'osa PVD®	Unfinished Brass
							
Unfinished Brushed Brass	Vintage Brushed Brass	Architectural White					

# G-8034-LM48E1-T Series



SHOWER  
M-Series 2-Way Diverter Valve  
Trim with Handle  
**G-8038-LM48E1-T**



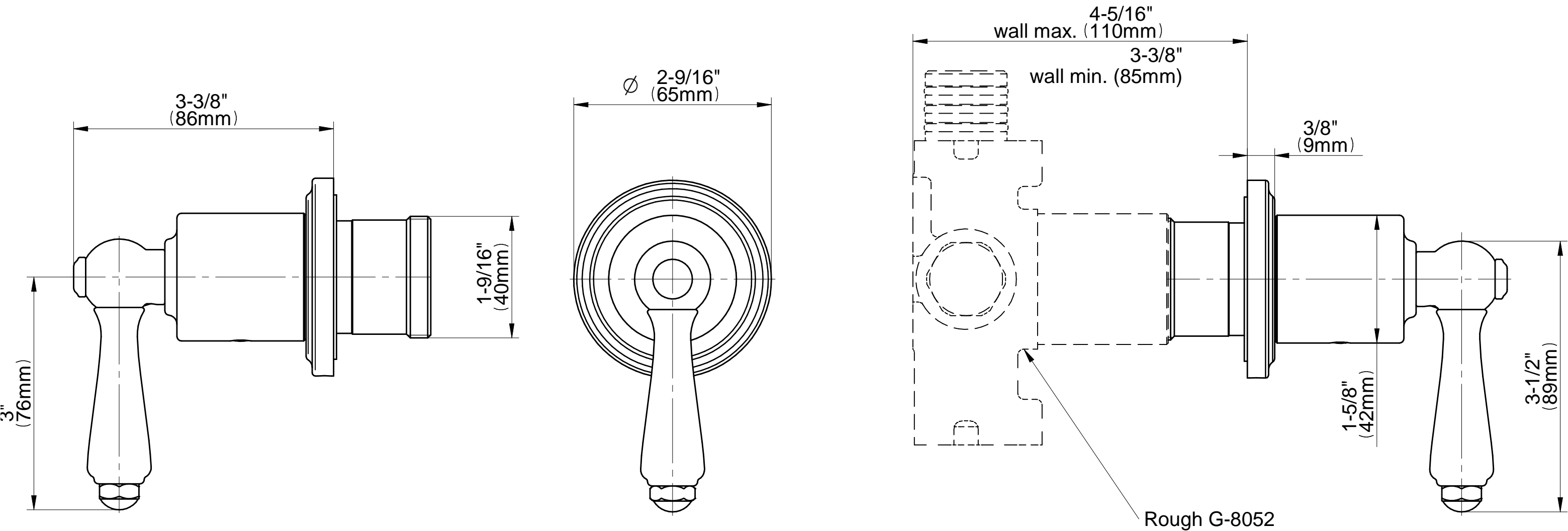
**Information**

- Single metal handle and decorative trim plate
- Use with G-8052 2-Way Diverter Volume Control Valve WITH Off Function and Pass-Through
- ADA

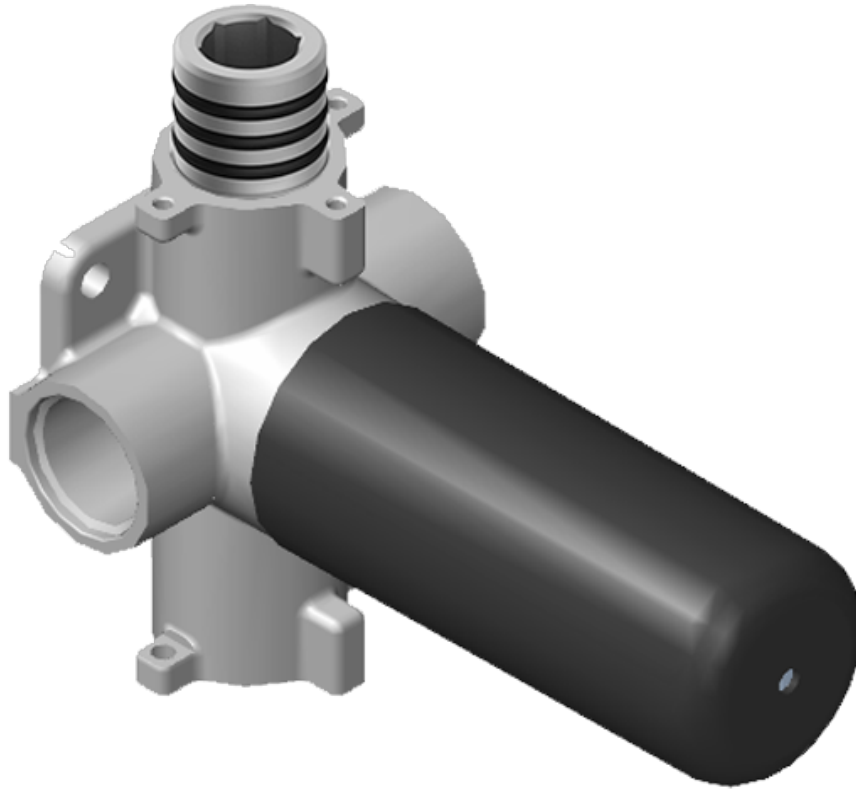
**Finishes**



# G-8038-LM48E1-T Series



SHOWER  
 Two-Way Diverter Volume Control  
 Valve WITH Off Function and Pass-  
 Through  
**G-8052**



**Information**

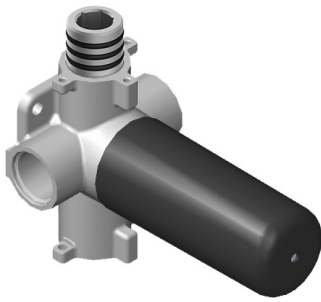
- 11.7 gpm @ 60 psi
- 3/4" universal inlets/outlets with female threads
- Operates one function at a time
- Stacking inlet and pass-through port feature
- Supplied with protective plastic cover
- CALGreen compliant depending on functions

**Finishes**



Unfinished    Vintage    Architectural  
Brushed Brass    Brushed Brass    White

**G-8052** M-Series  
 2-Way Diverter Volume Control Valve  
 WITH Off Function and Pass-Through



**Product Features**

- 12.1 gpm @ 60 psi
- 3/4" universal inlets/outlets with female threads
- Stacking inlet and pass-through port feature
- Supplied with protective plastic cover
- CalGreen compliant dependent on functions

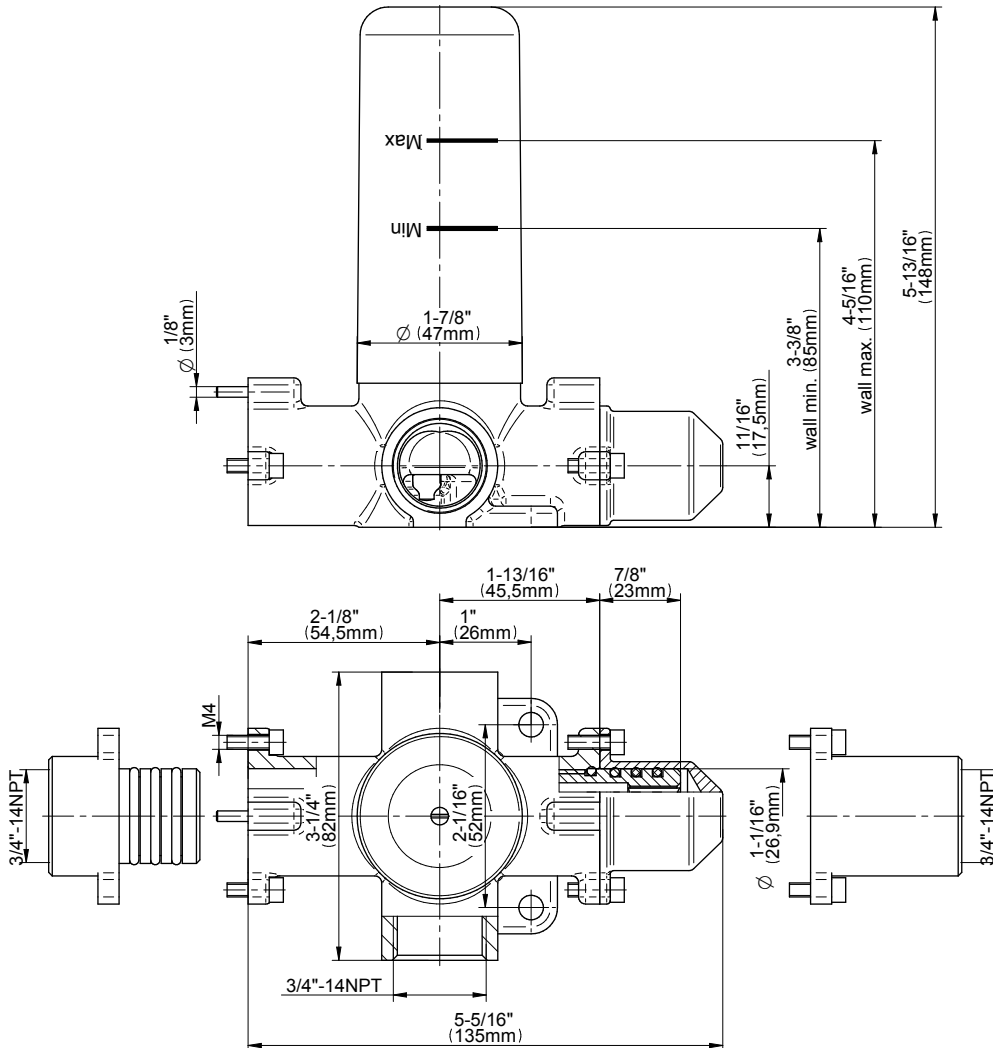
**Code Compliance**

- CALGreen

**Warranty**

- Limited lifetime warranty

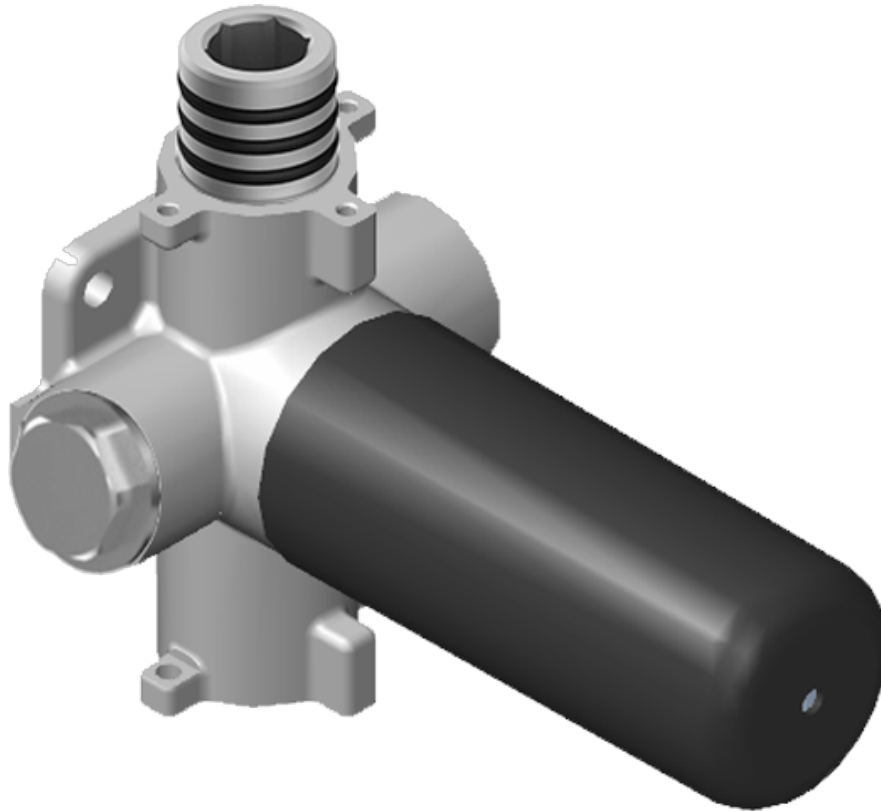
For complete warranty information go to [www.graff-faucets.com/en/info/faqs](http://www.graff-faucets.com/en/info/faqs)



The measurements shown are for reference only. Products and specifications shown are subject to change without notice. Revised 3/2016.

[www.graff-faucets.com](http://www.graff-faucets.com) | phone: 800-954-4723

SHOWER  
 Stop/Volume Control Valve with  
 Pass Through  
**G-8076**



**Information**

- 12.3 gpm @ 60 psi
- 3/4" universal inlets/outlets with female threads
- Stacking inlet and pass-through port feature
- Supplied with protective plastic cover
- CalGreen compliant dependent on functions

**Finishes**

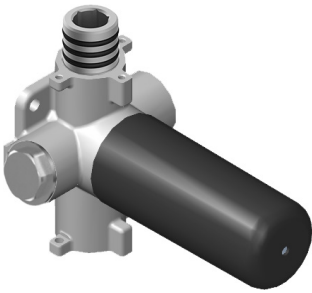




# G-8076

M-Series

Stop/Volume Control Rough Valve with Pass-Through



## Product Features

- 13.2 gpm @ 60 psi
- 3/4" universal inlets/outlets with female threads
- Stacking inlet and pass-through port feature
- Supplied with protective plastic cover
- CalGreen compliant dependent on functions

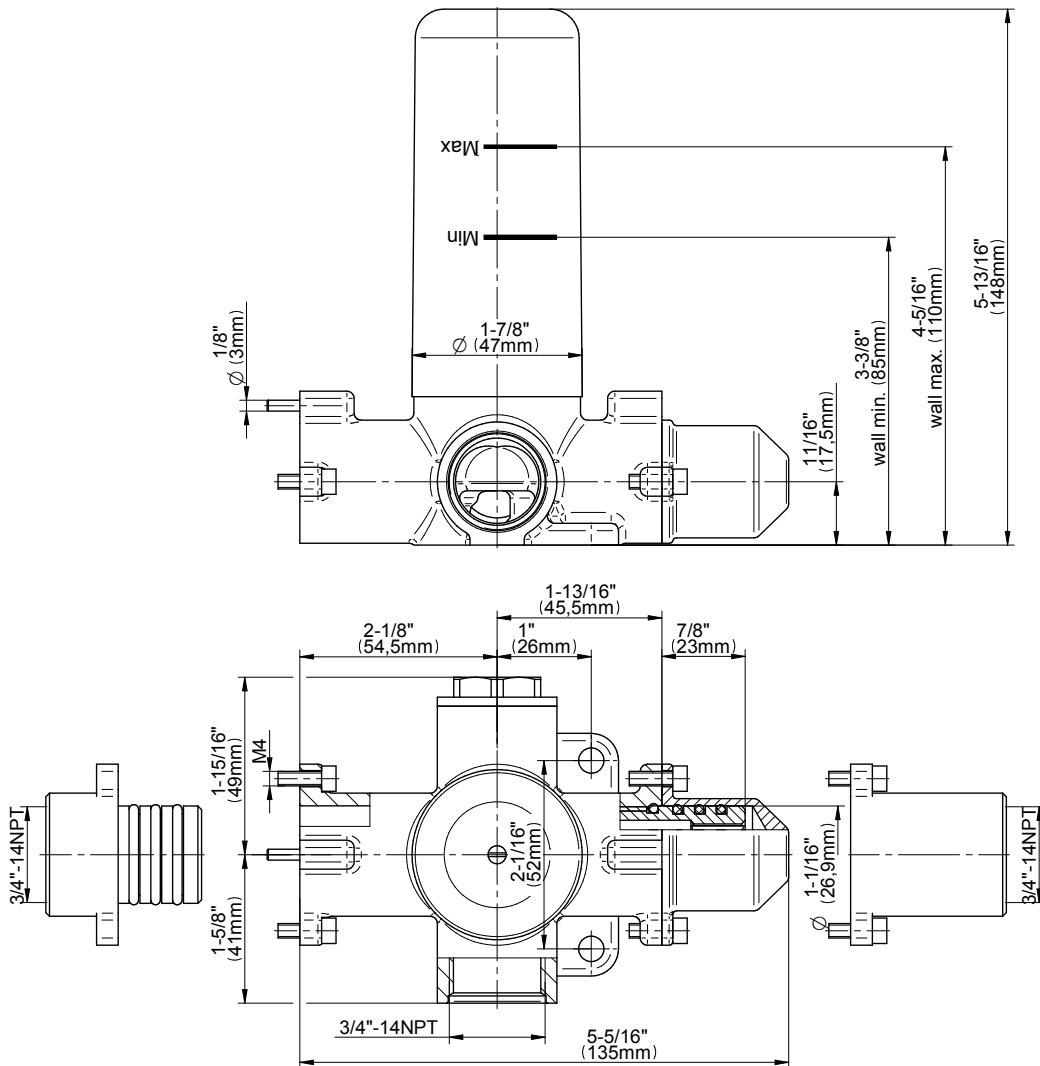
## Code Compliance

- CALGreen

## Warranty

- Limited lifetime warranty

For complete warranty information go to [www.graff-faucets.com/en/info/faqs](http://www.graff-faucets.com/en/info/faqs)



The measurements shown are for reference only. Products and specifications shown are subject to change without notice. Revised 3/2016.

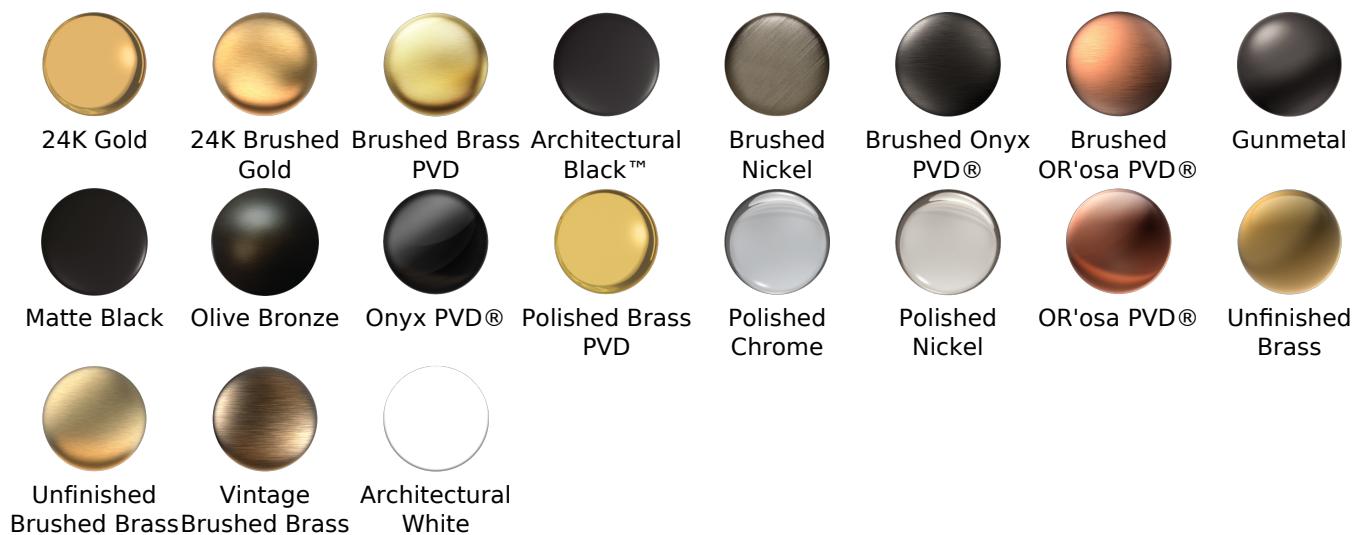
[www.graff-faucets.com](http://www.graff-faucets.com) | phone: 800-954-4723



**Information**

- 126 no-clog, easy-clean rubber spray nozzles
- Recommended use with ceiling shower arm
- Recommended for use at no more than 10 degrees tilt
- Showerhead flow rate ≤ 1.8 max gpm
- CALGreen

**Finishes**



## G-8406

Finezza Collection  
9" Rain Showerhead

**GRAFF**<sup>®</sup>  
CUTTING EDGE DESIGN

### Product Features

- Sunflower shape
- 126 no-clog, easy-clean rubber spray nozzles
- Showerhead flow rate < 1.8 max gpm

### Available Finishes

- Polished Chrome  
G-8406-PC
- Brushed Nickel  
G-8406-BNi
- Polished Nickel  
G-8406-PN
- Unfinished Brass\*  
G-8406-UB\*
- Olive Bronze  
G-8406-OB\*
- Gold\*  
G-8406-AU\*
- Brushed Gold\*  
G-8406-BAU\*

\* Special order finish- call for availability



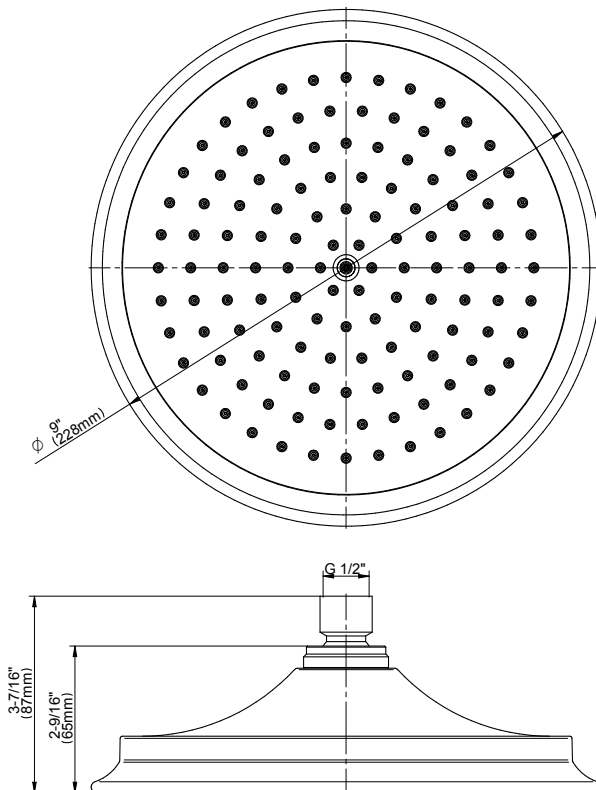
### Code Compliance

- CALGreen

### Warranty

- Limited lifetime warranty

For complete warranty information go to [www.graff-designs.com/en-nam/warranty](http://www.graff-designs.com/en-nam/warranty)



The measurements shown are for reference only. Products and specifications shown are subject to change without notice. Revised 12/2017

[www.graff-designs.com](http://www.graff-designs.com) | phone: 800-954-4723

SHOWER  
Transitional 11" Shower Arm  
**G-8508**

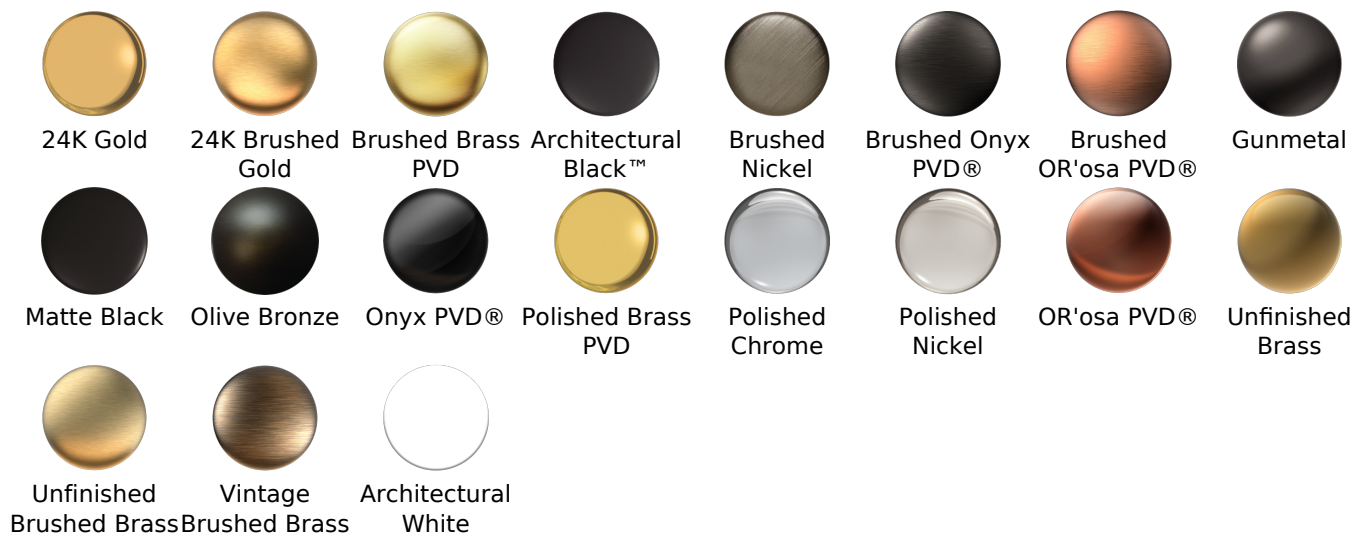
**GRAFF®**



**Information**

- Includes arm and flange
- 1/2" NPT male thread inlet
- For use with all showerheads

**Finishes**



## G-8508

### Transitional 11" Shower Arm

# GRAFF®



#### Product Features

- Includes arm and round flange
- 1/2" NPT male thread inlet
- For use with all showerheads

#### Warranty

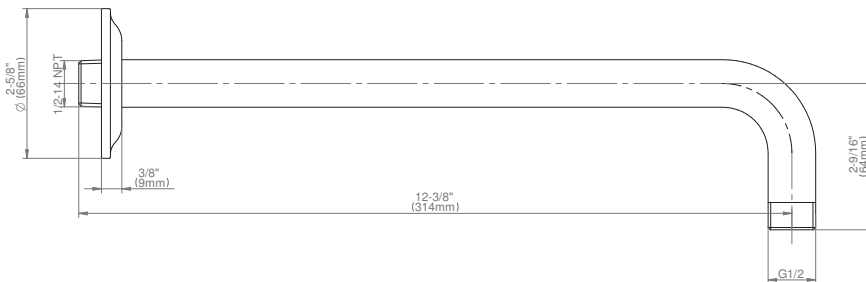
- Limited lifetime warranty

For complete warranty information go to <https://www.graff-faucets.com/en/info/faqs>

#### Available Finishes

- Polished Chrome  
G-8508-PC
- Brushed Nickel  
G-8508-BNi
- Polished Nickel  
G-8508-PN
- Unfinished Brass\*  
G-8508-UB\*
- Unfinished Brushed Brass\*  
G-8508-UBB\*
- Matte Black\*  
G-8508-MBK\*
- Architectural Black\*  
G-8508-BK\*
- Architectural White\*  
G-8508-WT\*
- Steelnox (Satin Nickel)\*  
G-8508-SN\*
- Olive Bronze\*  
G-8508-OB\*
- Gunmetal\*  
G-8508-GM\*
- Vintage Brushed Brass\*  
G-8508-VBB\*
- OR'osa PVD\*  
G-8508-RG\*
- Onyx PVD\*  
G-8508-OX\*
- Polished Brass PVD\*  
G-8508-PB\*
- Brushed Brass PVD\*  
G-8508-BB\*
- 24K Gold\*  
G-8508-AU\*
- 24K Brushed Gold\*  
G-8508-BAU\*

\* Special order finish- call for availability



The measurements shown are for reference only. Products and specifications shown are subject to change without notice. Revised 7/2019.

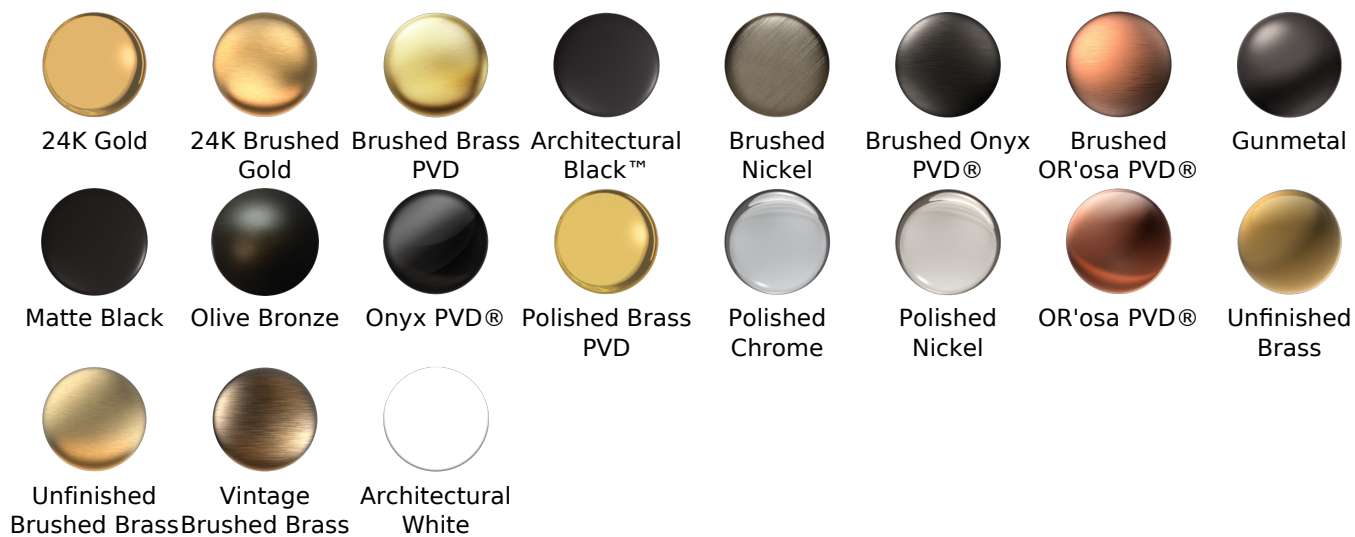
[www.graff-designs.com](http://www.graff-designs.com) | phone: 800-954-4723



## Information

- Brass spiral flexible hose with conical nut

## Finishes



### Product Features

- Brass spiral flexible hose with conical nut



### Warranty

- Limited lifetime warranty

For complete warranty information go to [www.graff-designs.com/en-nam/warranty](http://www.graff-designs.com/en-nam/warranty)

### Available Finishes

- Polished Chrome  
G-8605-PC
- Polished Nickel  
G-8605-PN
- Brushed Nickel  
G-8605-BNi
- Unfinished Brushed Brass\*  
G-8605-UBB\*
- Unfinished Brass\*  
G-8605-UB\*
- Matte Black\*  
G-8605-MBK\*
- Architectural Black\*  
G-8605-BK\*
- Architectural White\*  
G-8605-WT\*
- Olive Brass\*  
G-8605-OB\*
- Gunmetal\*  
G-8605-GM\*
- Vintage Brushed Brass\*  
G-8605-VBB\*
- Steelnox (Satin Nickel)  
G-8605-SN
- 24K Brushed Gold\*  
G-8605-BAU\*
- 24K Gold\*  
G-8605-AU\*
- Gunmetal Distressed\*  
G-8605-GMD\*

\* Special order finish- call for availability



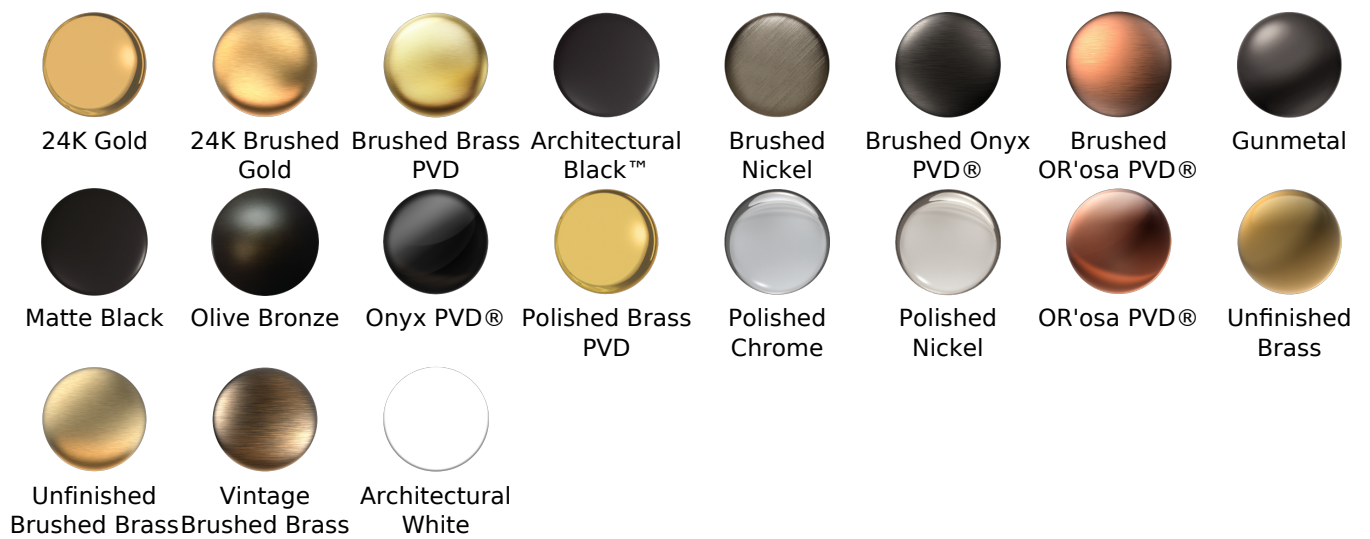
SHOWER  
 Transitional Wall Supply Elbow  
**G-8663**



**Information**

- 1/2" NPT female thread inlet

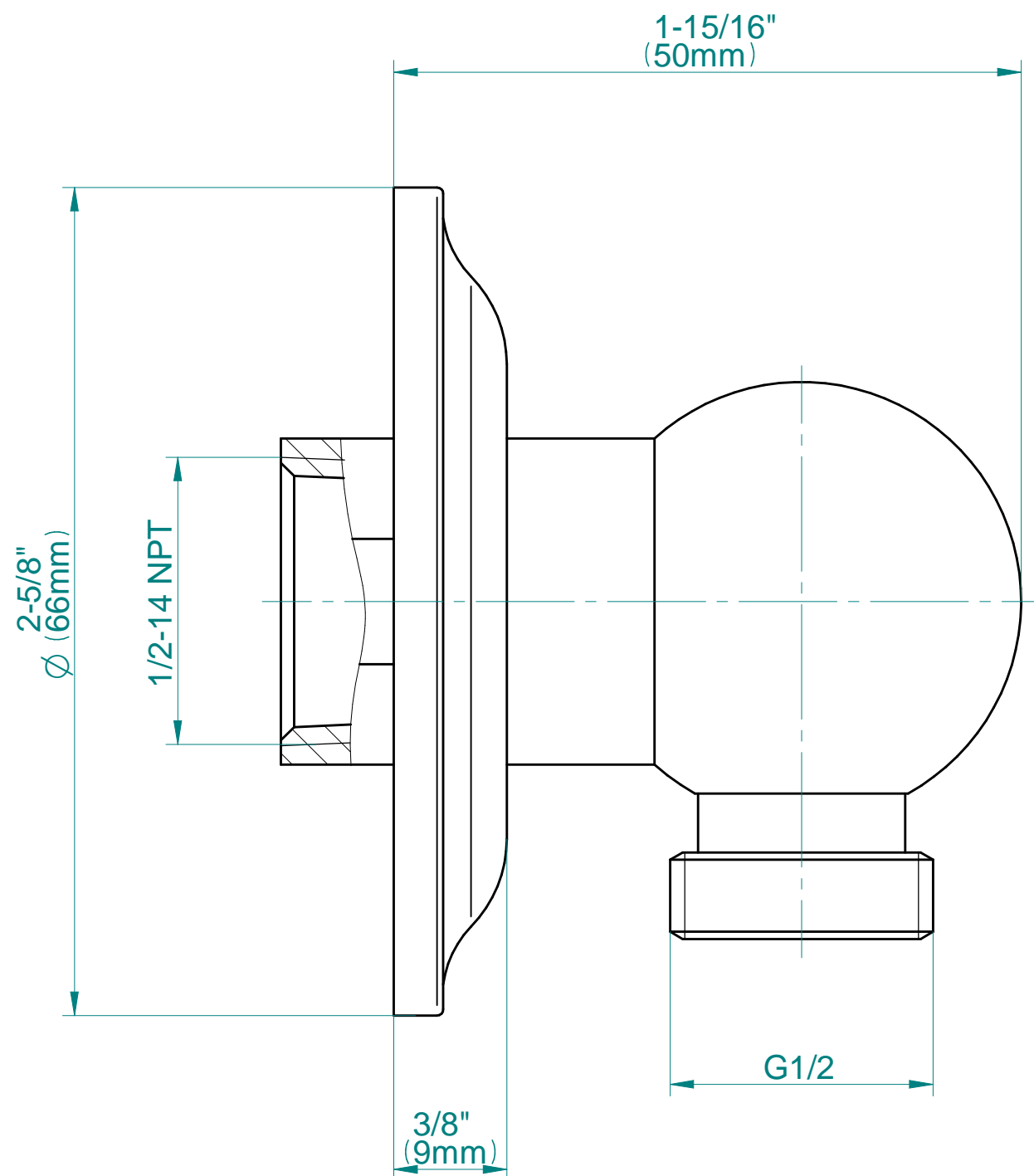
**Finishes**





# G-8663

## CAMDEN Series







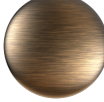
SHOWER  
 Transitional Wall Bracket for  
 Handshower  
**G-8682**



**Information**

- Solid brass construction
- Swivel holder

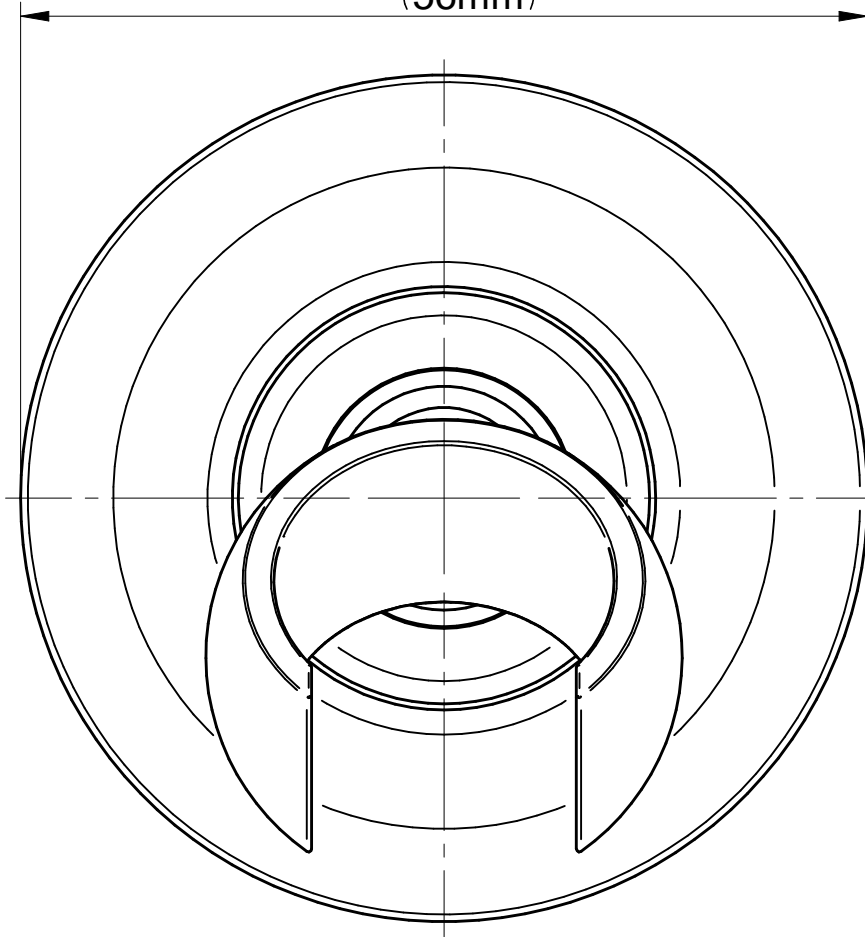
**Finishes**

							
24K Gold	24K Brushed Gold	Brushed Brass PVD	Architectural Black™	Brushed Nickel	Brushed Onyx PVD®	Brushed OR'osa PVD®	Gunmetal
							
Matte Black	Olive Bronze	Onyx PVD®	Polished Brass PVD	Polished Chrome	Polished Nickel	OR'osa PVD®	Unfinished Brass
							
Unfinished Brushed Brass	Vintage Brushed Brass	Architectural White					

# G-8682

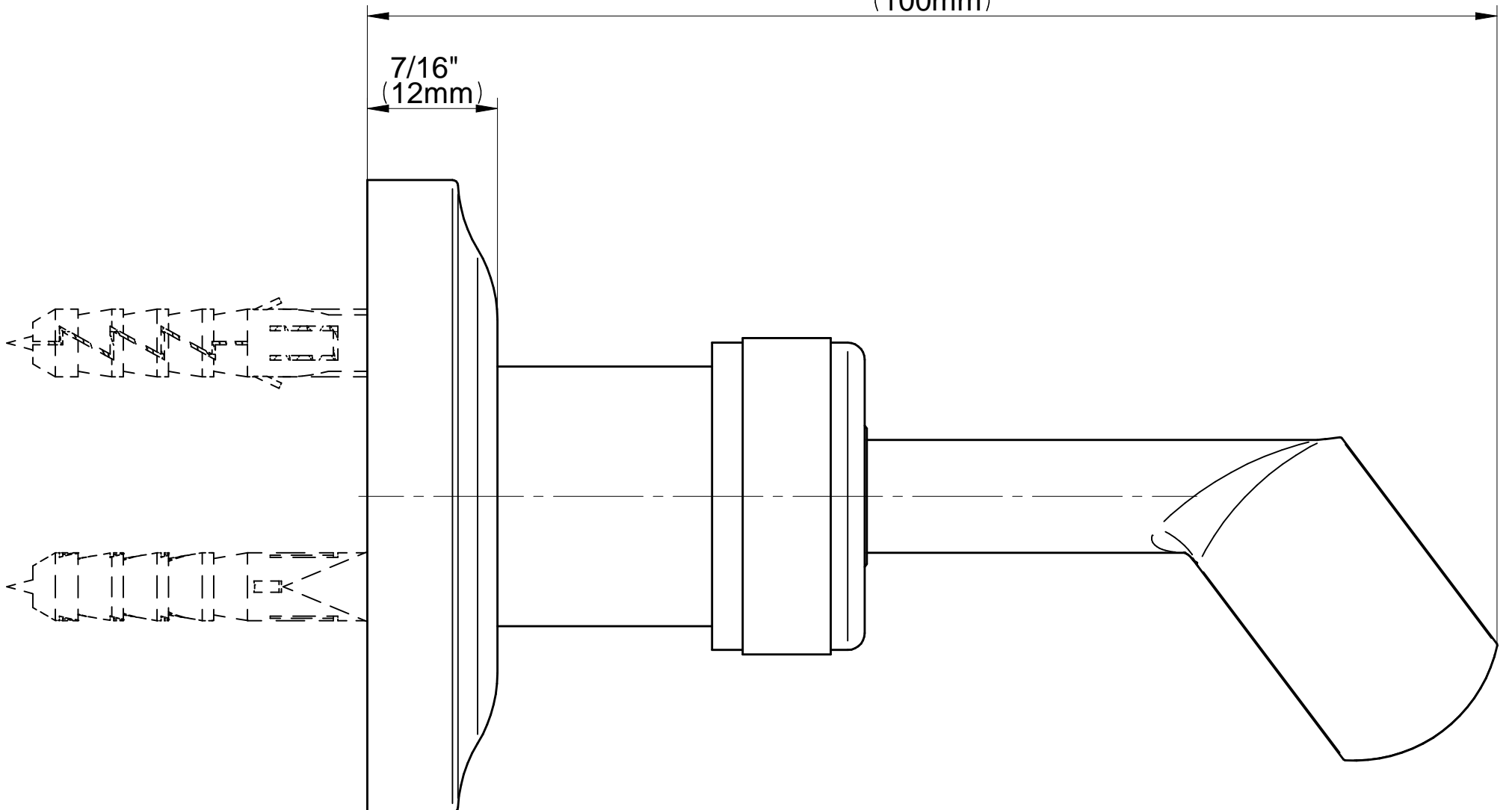
## Camden Series

Ø 2-3/16"  
(56mm)



3-15/16"  
(100mm)

7/16"  
(12mm)





**Information**

- Solid brass construction
- All-metal handle
- Shower hose not included
- Includes internal backflow preventer
- Handshower flow rate ≤ 1.8 max gpm
- CALGreen

**Finishes**



## G-8724

Finezza Collection  
Finezza Handshower

# GRAFF®



### Product Features

- Solid brass construction
- Smooth, all-metal handle
- Shower hose not included
- Handshower flow rate  $\leq 1.5$  max gpm
- Includes internal backflow preventer

### Available Finishes

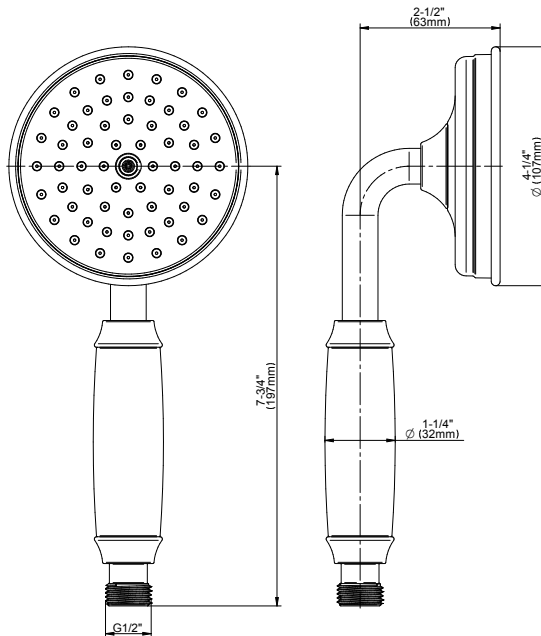
- Polished Chrome  
G-8724-PC
- Brushed Nickel  
G-8724-BNi
- Polished Nickel  
G-8724-PN
- Olive Bronze  
G-8724-OB
- Unfinished Brass\*  
G-8724-UB\*
- Gold\*  
G-8724-AU\*
- Brushed Gold\*  
G-8724-BAU\*

\* Special order finish- call for availability

### Warranty

- Limited lifetime warranty

For complete warranty information go to  
<https://www.graff-faucets.com/en/info/faqs>



The measurements shown are for reference only. Products and specifications shown are subject to change without notice. Revised 5/2018.

[www.graff-designs.com](http://www.graff-designs.com) | phone: 800-954-4723