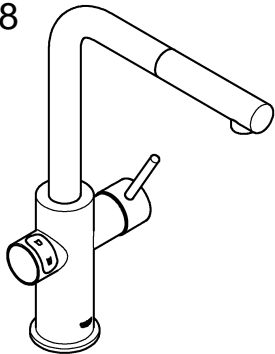
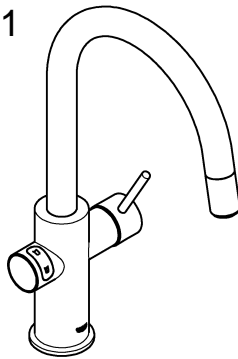




31 608



31 251



	..18
	..22
	..26

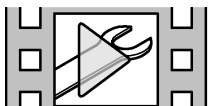
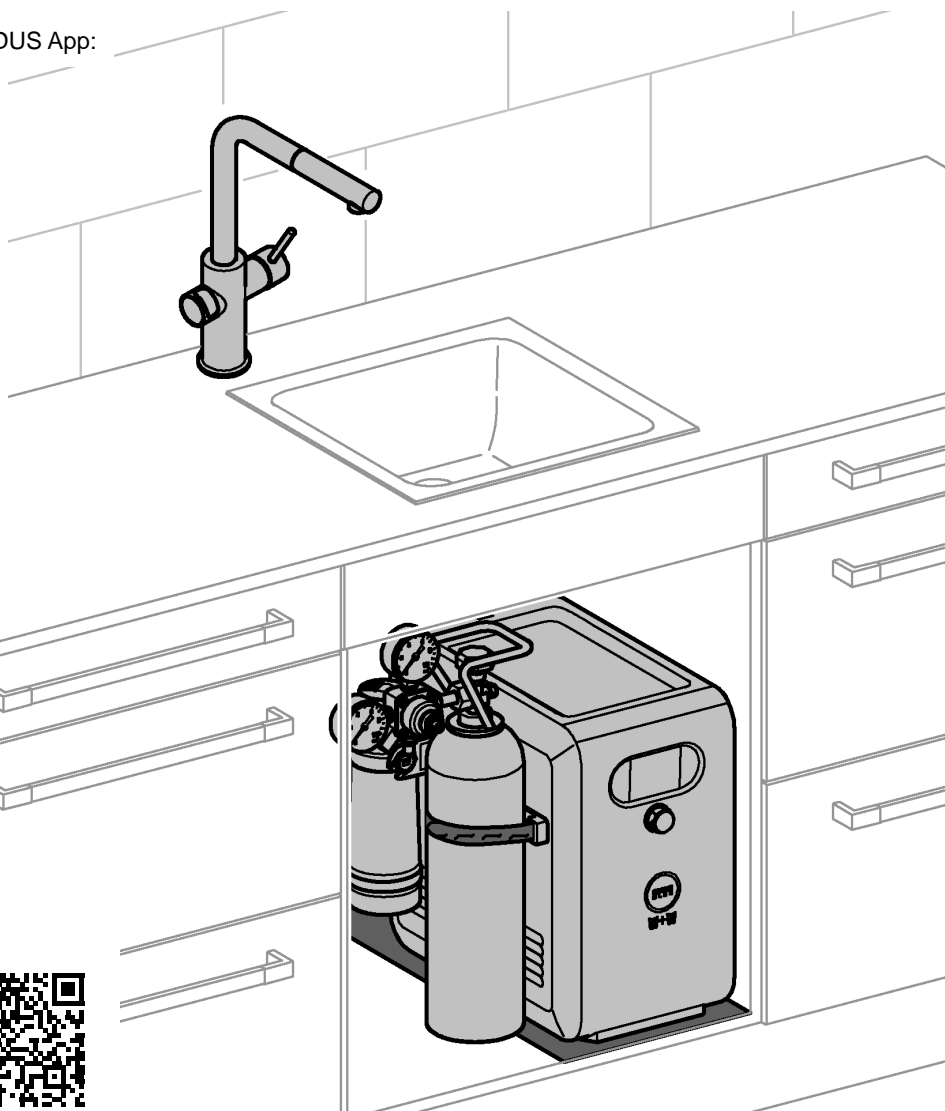
Download GROHE ONDUS App:



for iOS
9.0 and above



for Android™
4.3 and above
Requirements on the device:
min. 160 dpi pixel density
min. 320x470 pixel resolution



<http://qr.grohe.com/4080>

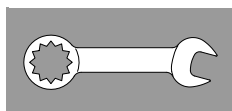
1+ 16-17



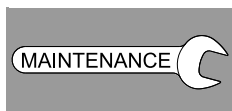
10



2 - 9



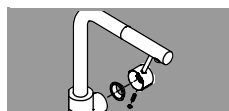
11 -15



3



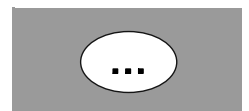
17

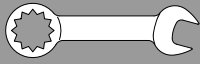


9 - 10




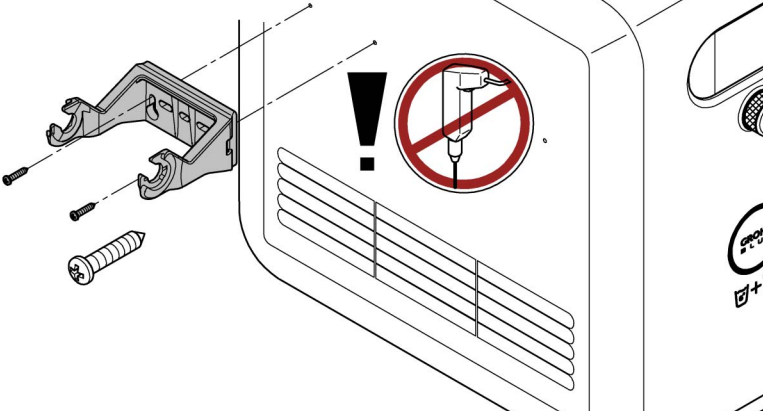
18 - 29



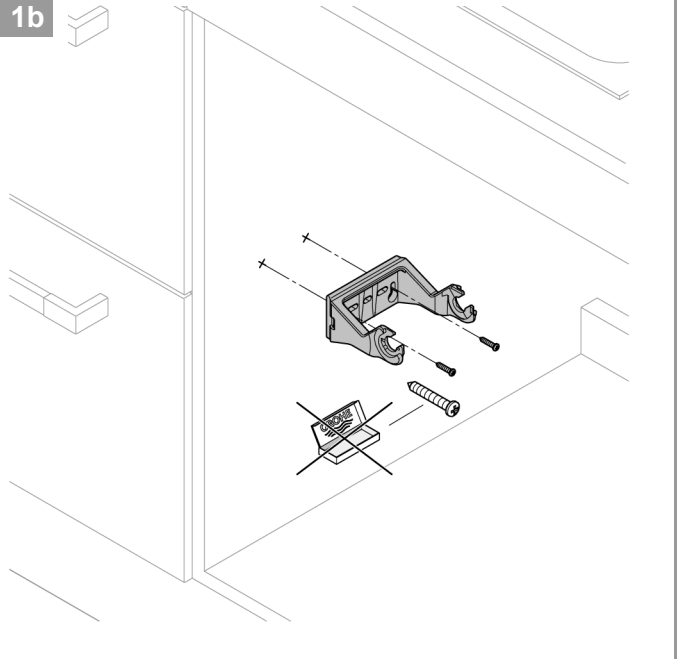


1a

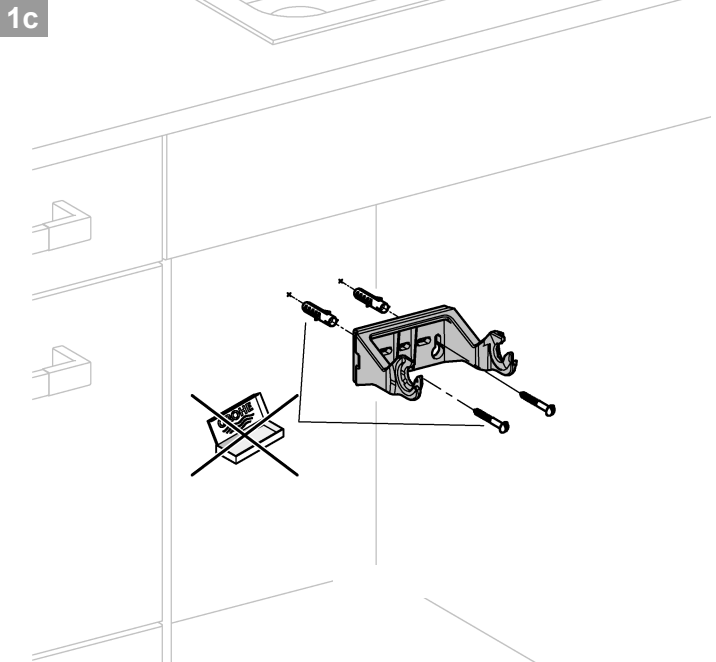
	*40 404(S-Size)	✓
	*40 430(M-Size)	✗
	*40 412(L-Size)	✗



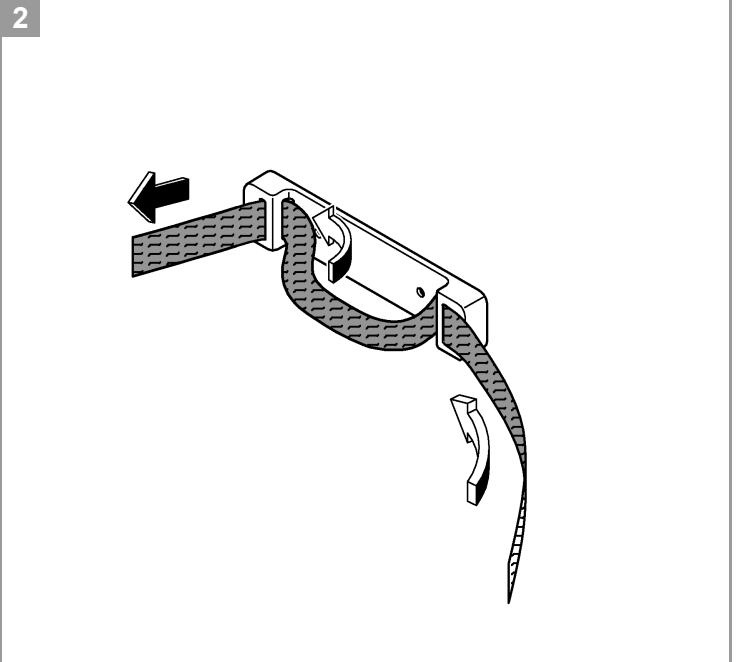
1b



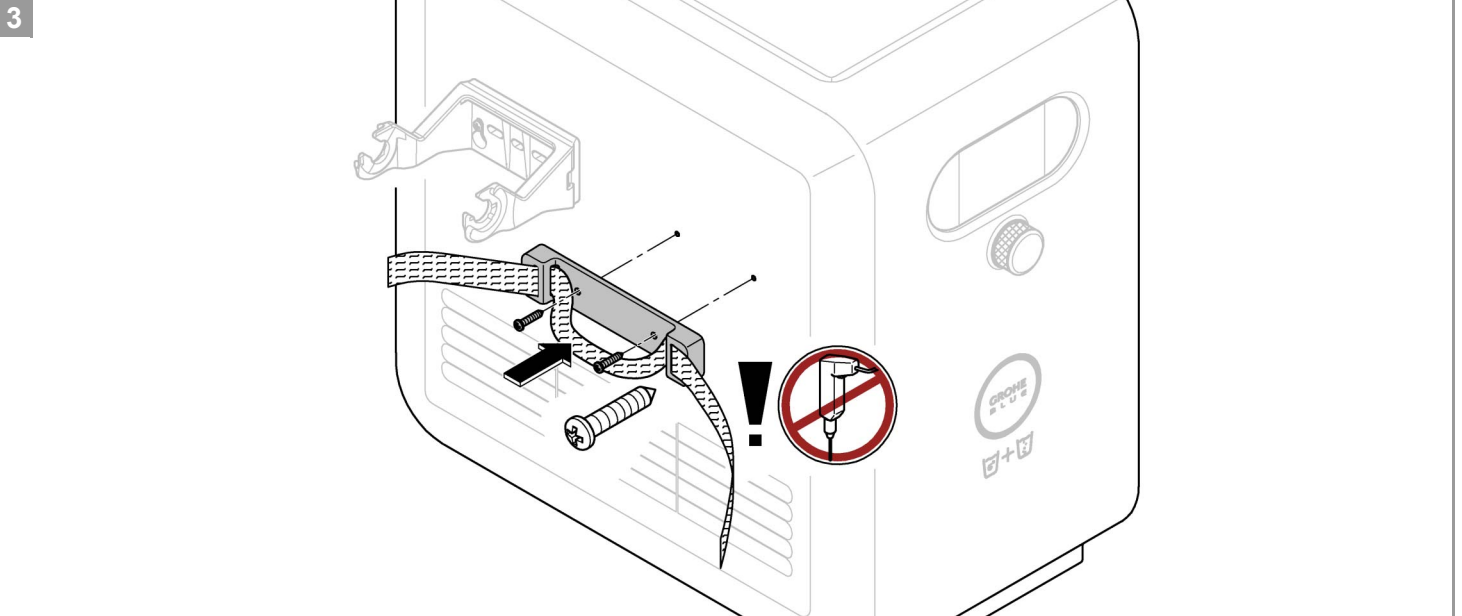
1c

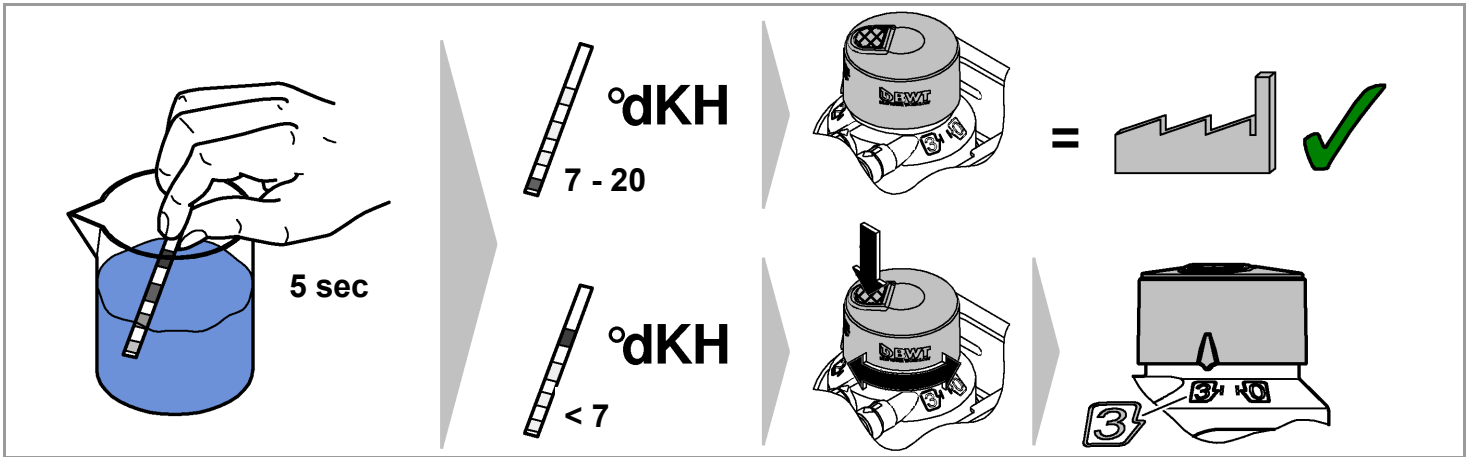


2



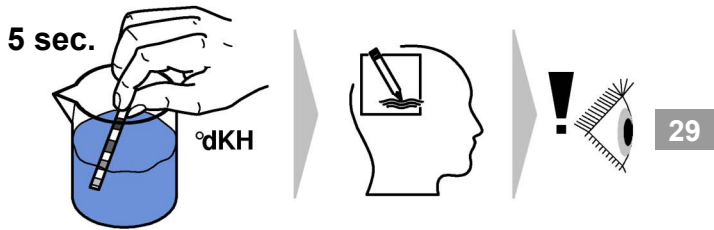
3





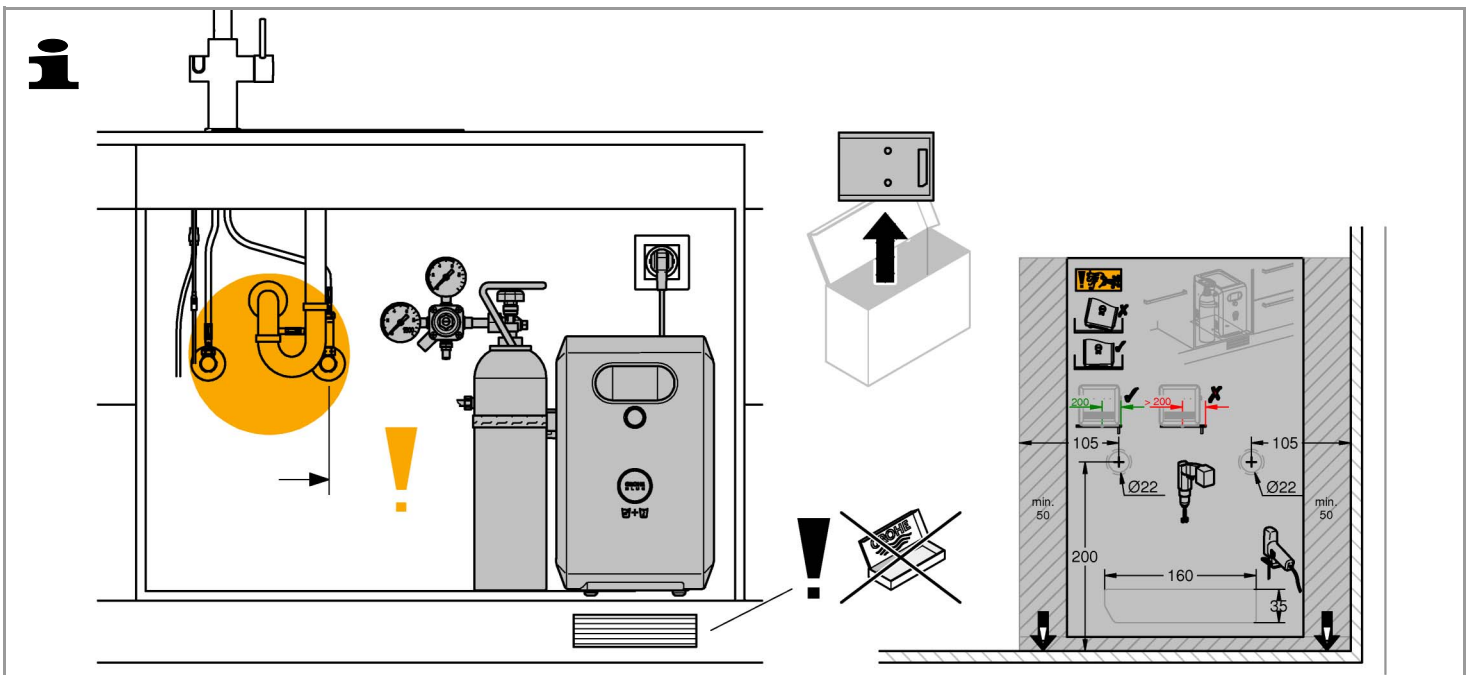
USA / F / E

Determine local water hardness ($^{\circ}\text{dKH}/^{\circ}\text{dGH}$).
 Déterminer la dureté de l'eau locale ($^{\circ}\text{dKH}/^{\circ}\text{dGH}$).
 Determinar la durezza del agua local ($^{\circ}\text{dKH}/^{\circ}\text{dGH}$).

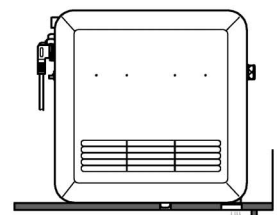
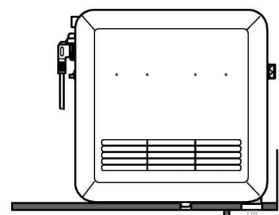
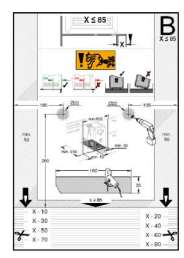
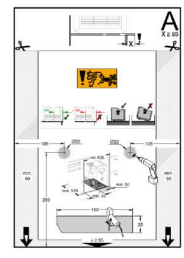
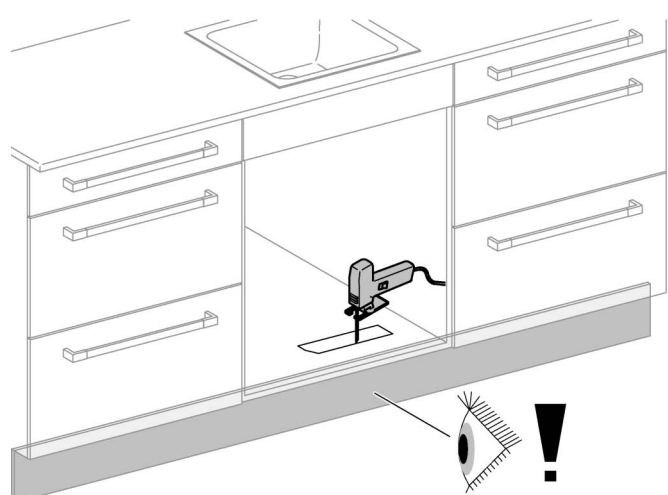


$^{\circ}\text{dKH}$		F / L				
		S-Size	M-Size	L-Size	Ac	UltraSafe
		40404001	40430001	40412001	40547001	40575001
0		F9 / L1 (2000l)	F9 / L3 (4000l)	F4 / L6 (6500l)	F9 / L2 (3000l)	F9 / L2 (3000l)
3		F9 / L1 (2000l)	F9 / L3 (4000l)	F4 / L6 (6500l)	-	-
6		F9 / L1 (2000l)	F9 / L3 (4000l)	F4 / L6 (6500l)	-	-
10		F9 / L0 (1000l)	F4 / L2 (2500l)	F9 / L3 (4000l)	-	-
15		F7 / L0 (800l)	F9 / L1 (2000l)	F1 / L3 (3200l)	-	-
20		F5 / L0 (600l)	F4 / L1 (1500l)	F4 / L2 (2500l)	-	-

$^{\circ}\text{dGH}$		Mg+
		40691001
< 7		F5 / L1 (1600l)
7 - 9		F1 / L1 (1200l)
10 - 12		F6 / L0 (700l)
13 - 16		F4 / L0 (500l)
17 - 20		F3 / L0 (400l)
21 - 24		F2 / L0 (300l)
25 - 32		F1 / L0 (200l)
> 32		F0 / L0 (100l)



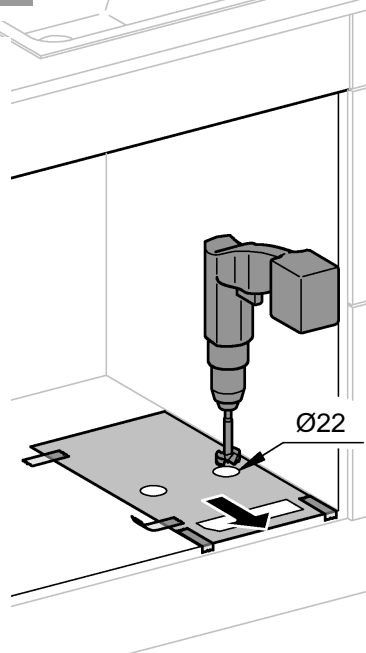
4



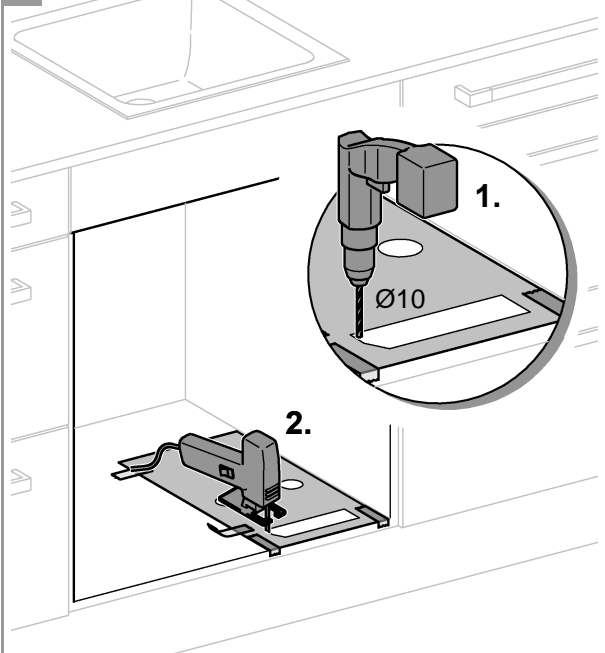
A

B

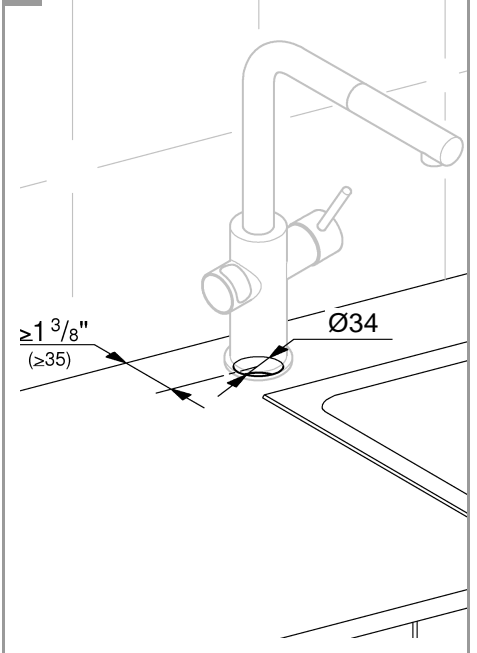
5



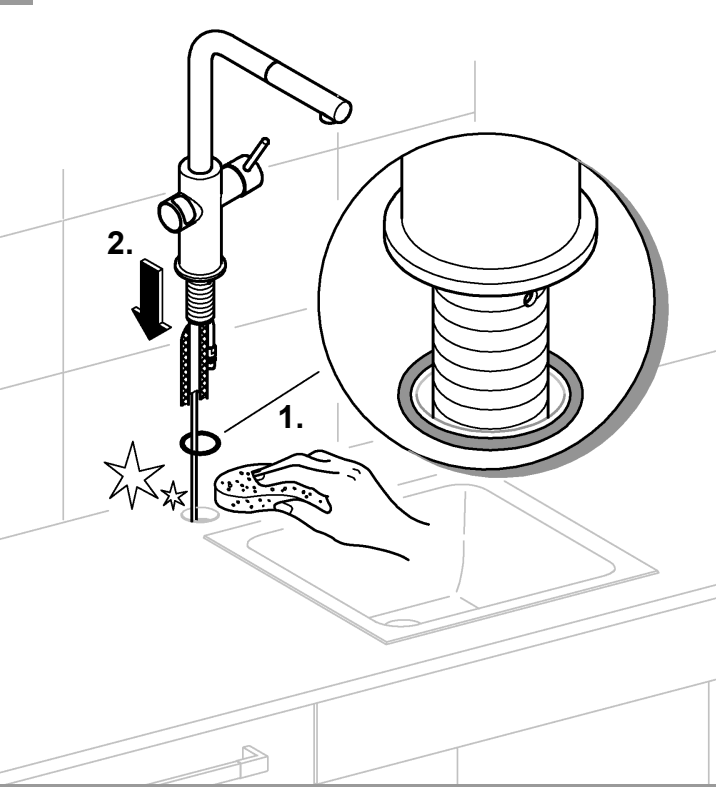
6



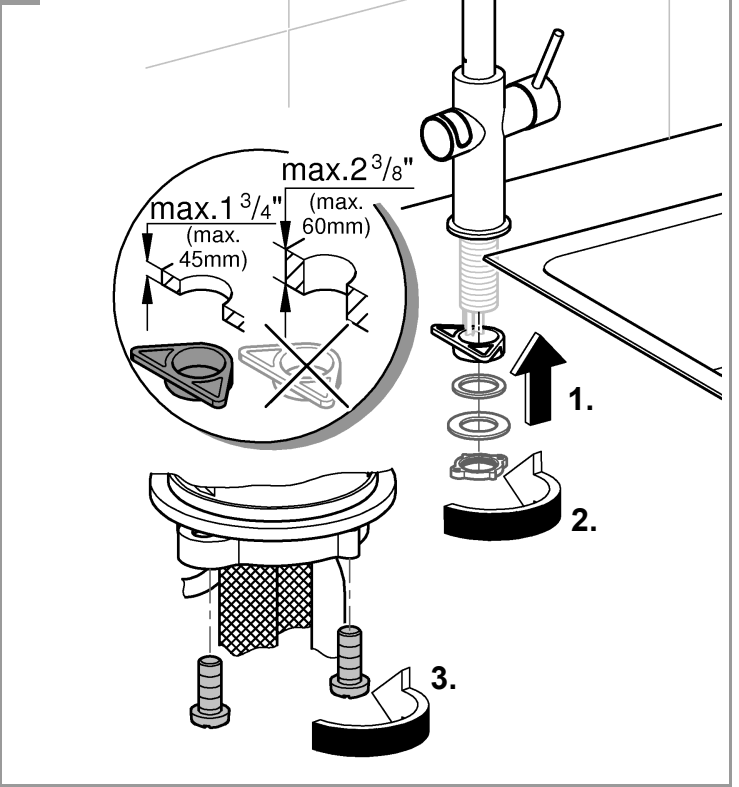
7

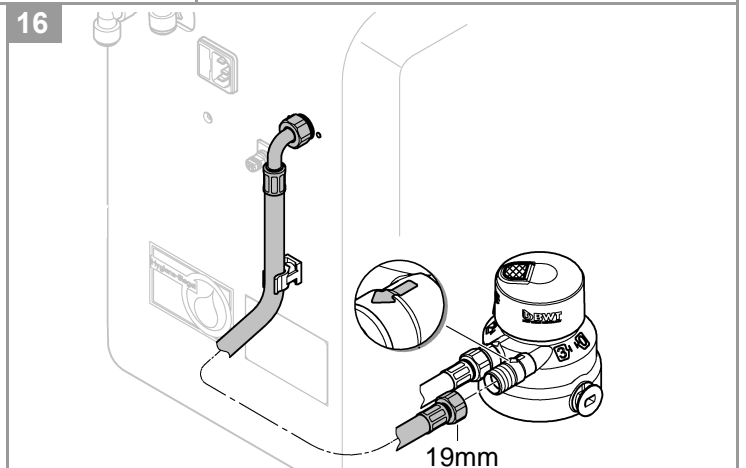
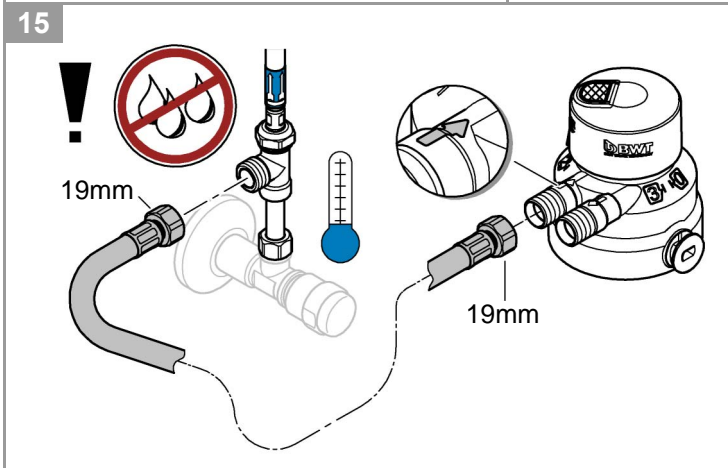
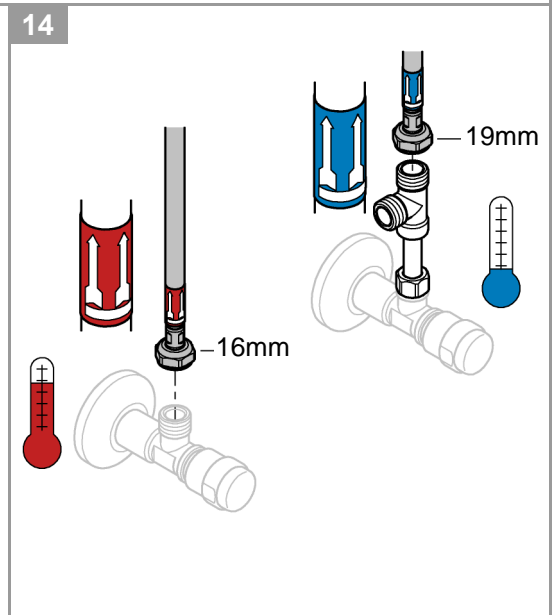
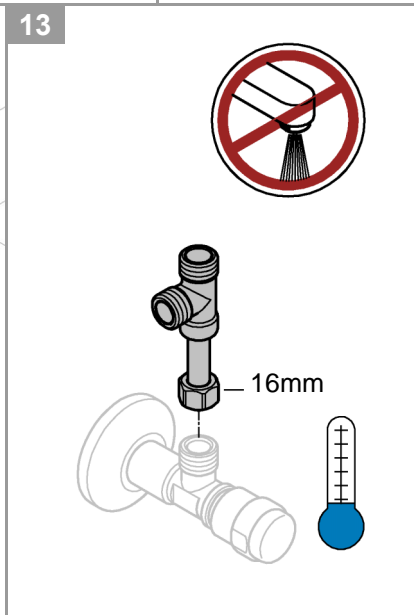
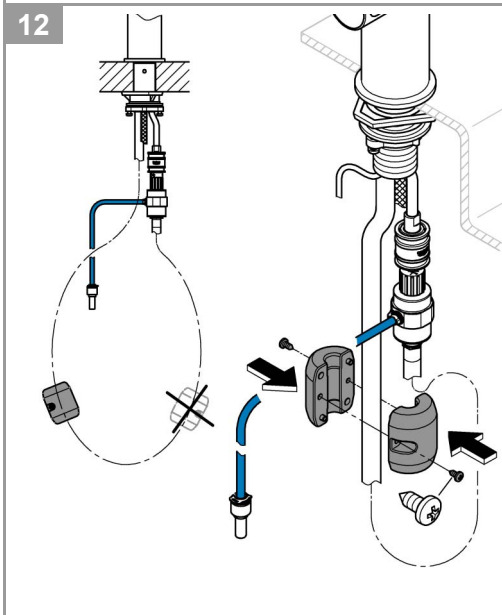
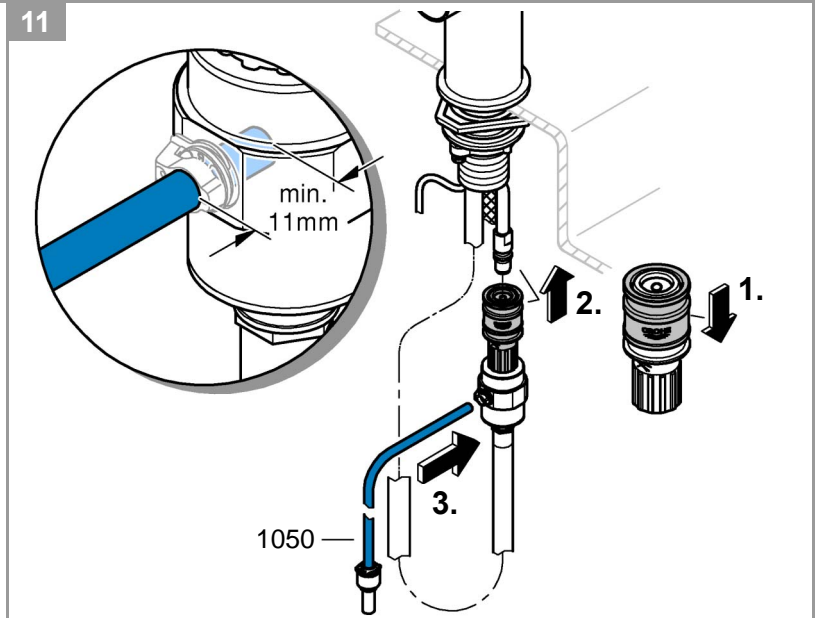
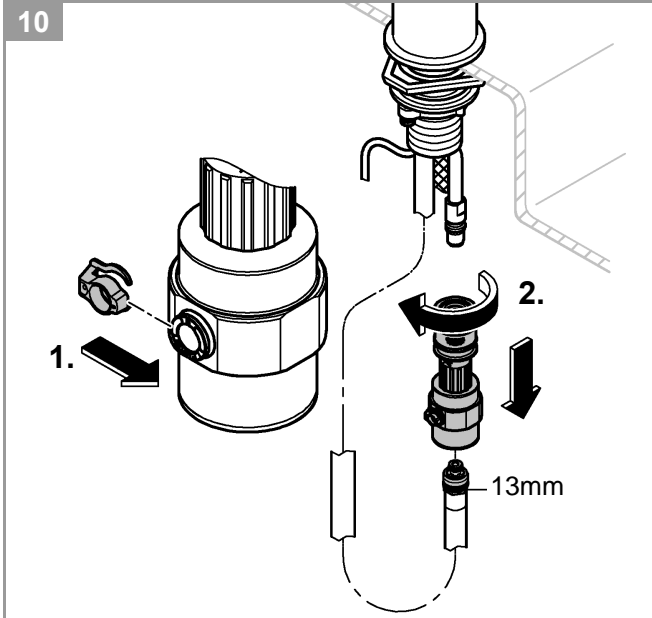
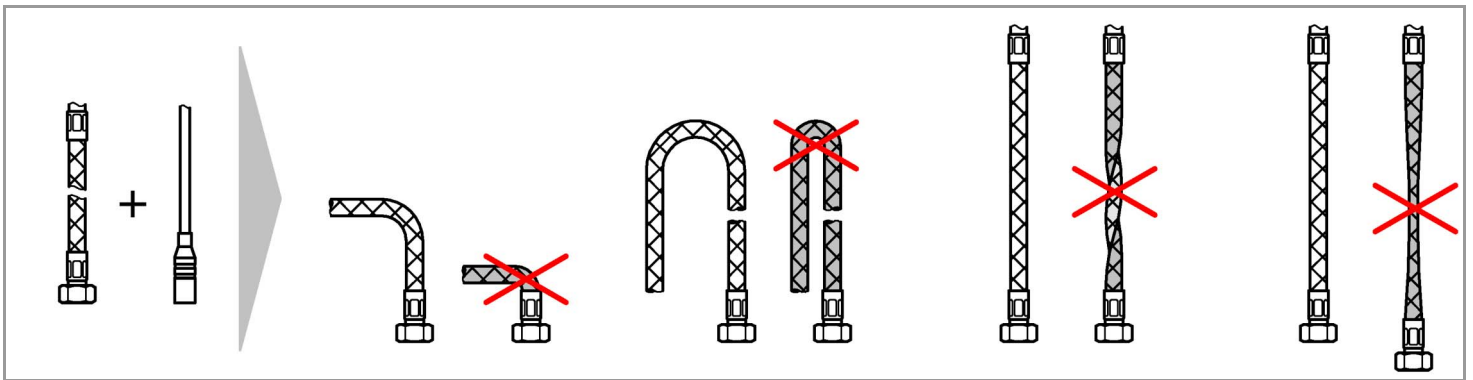


8

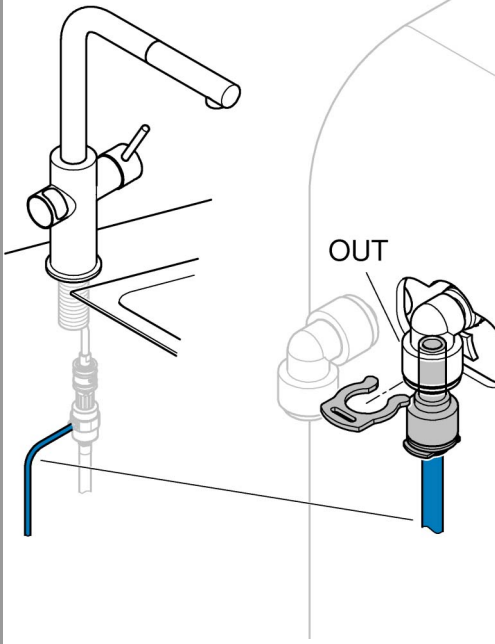


9

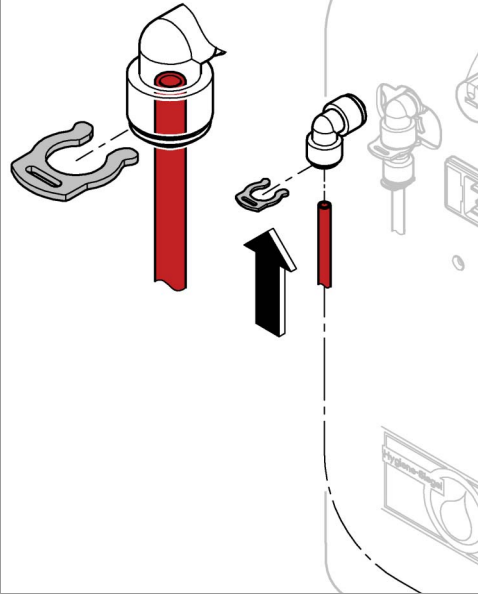




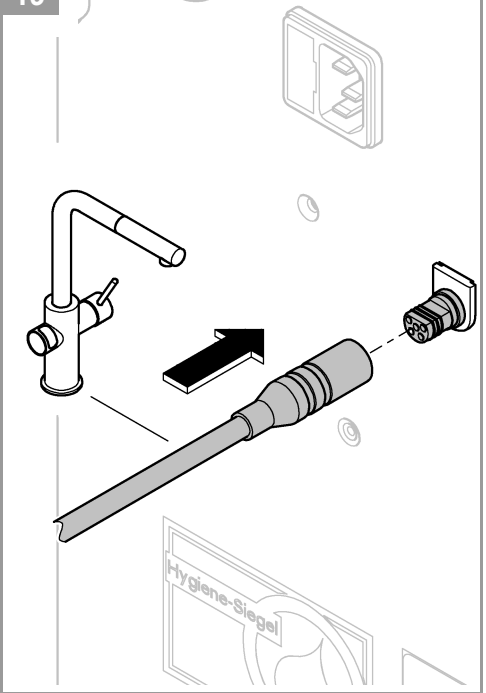
17



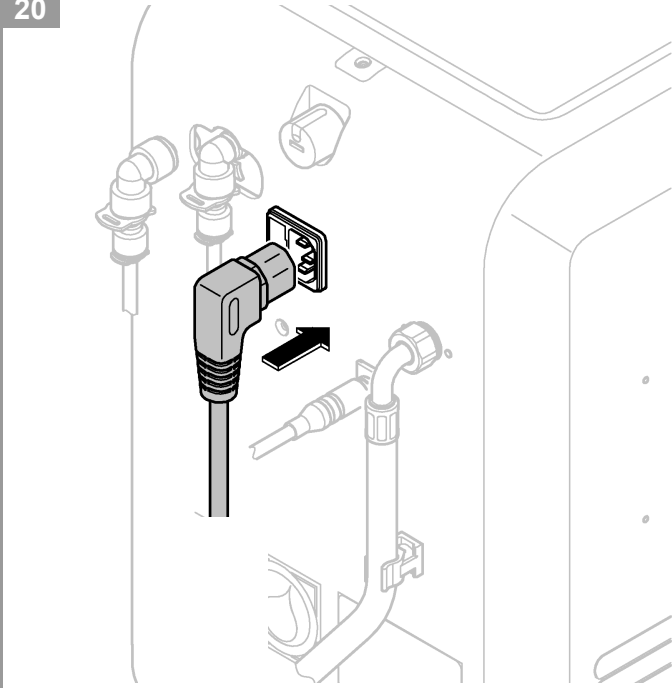
18



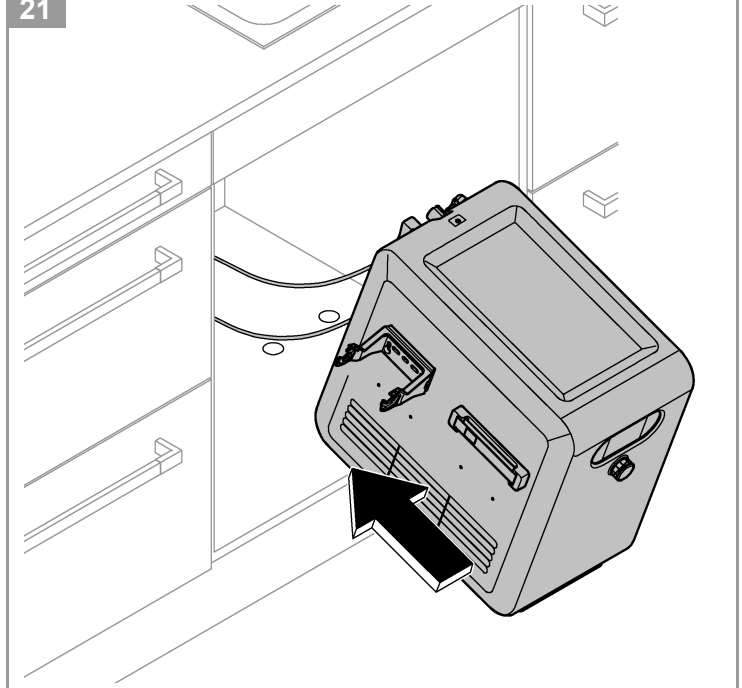
19



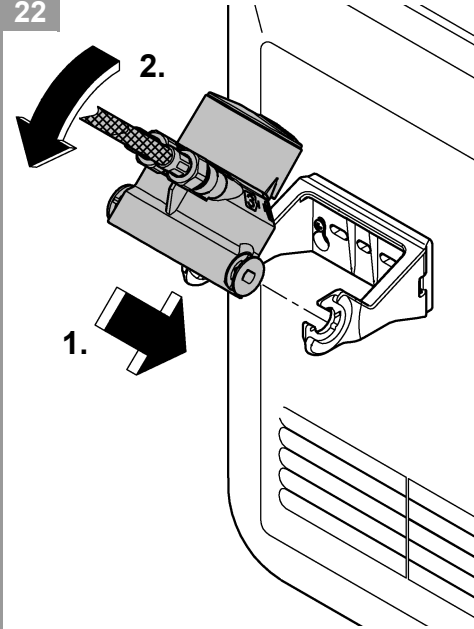
20



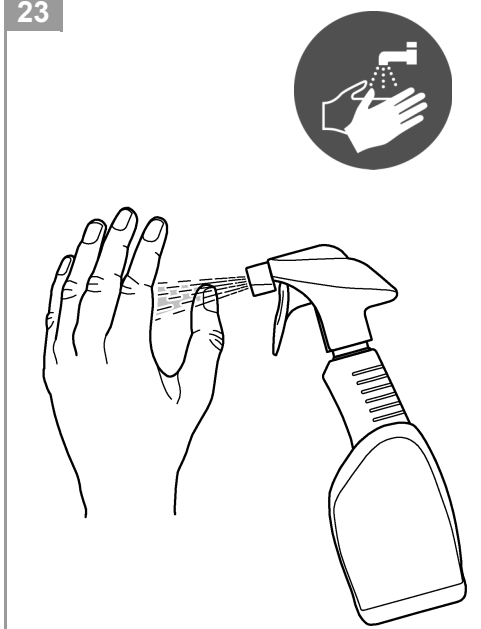
21



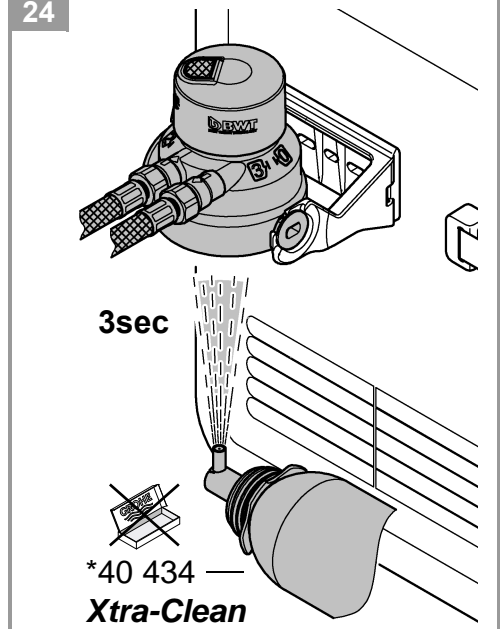
22

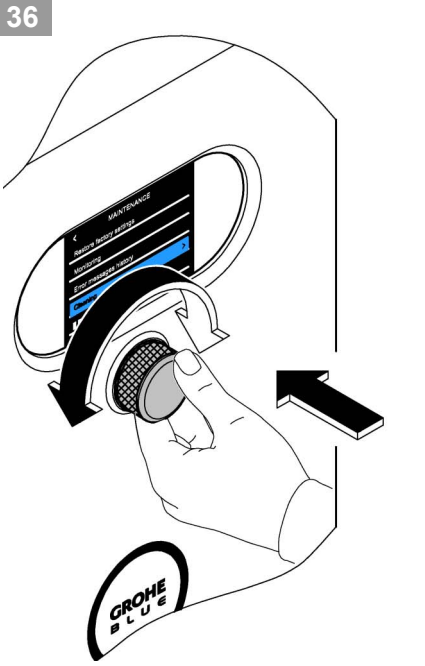
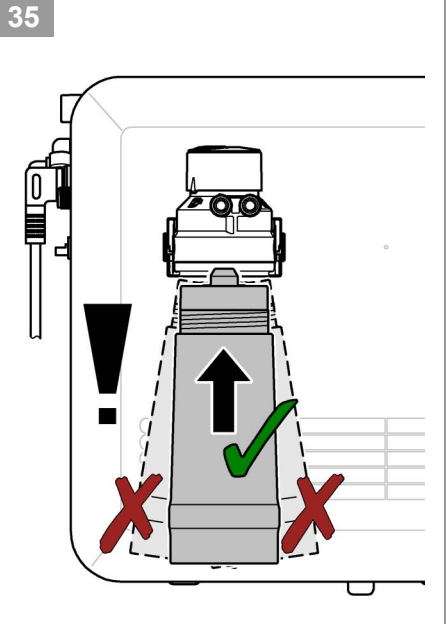
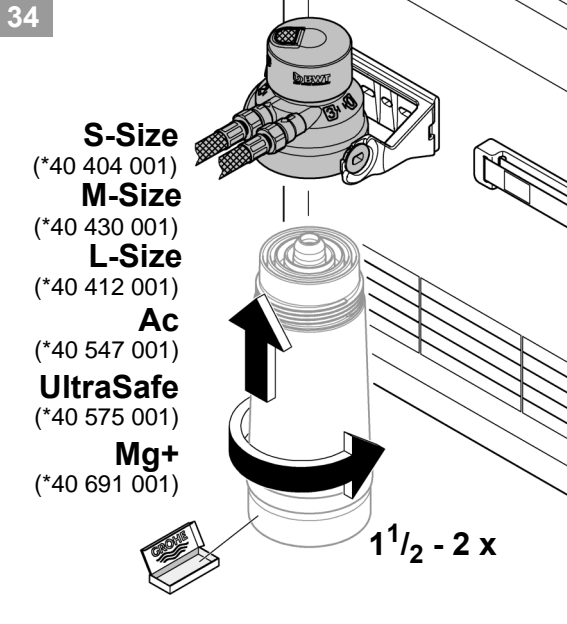
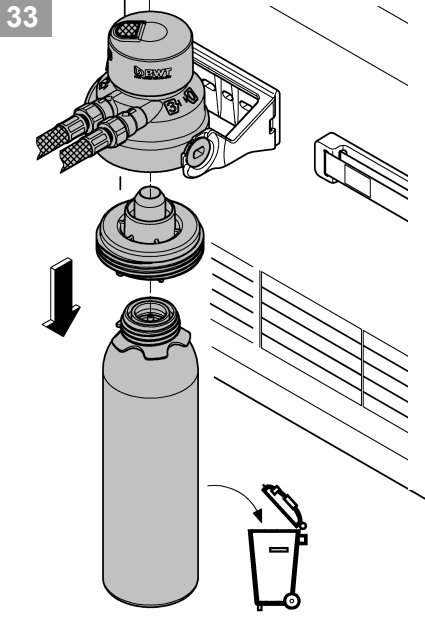


23



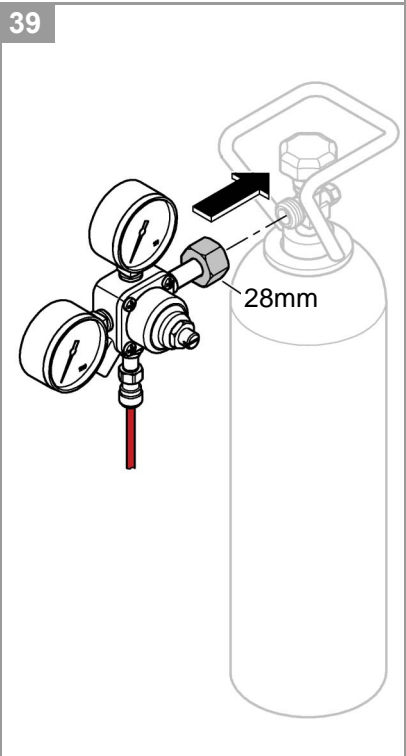
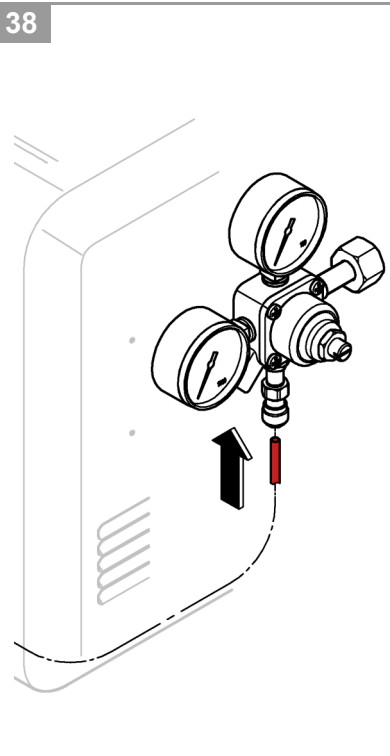
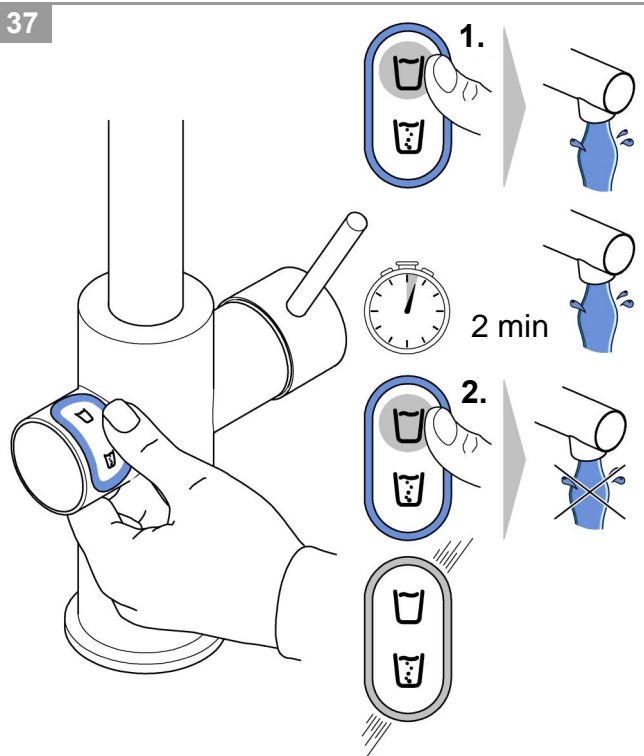
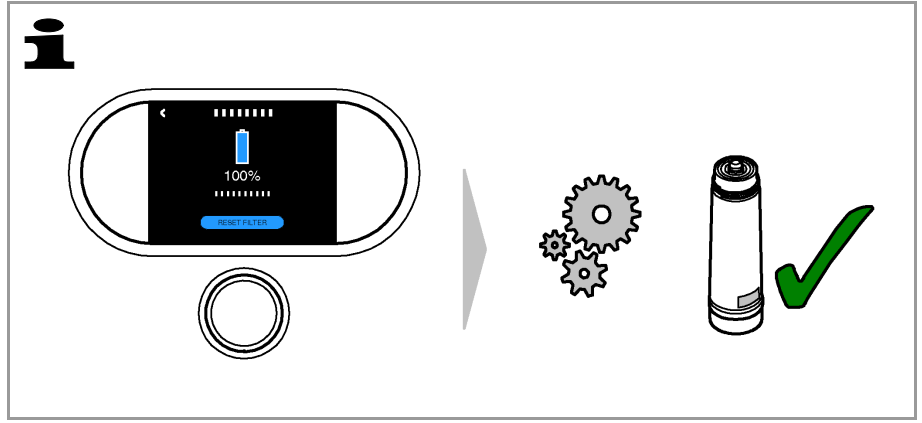
24



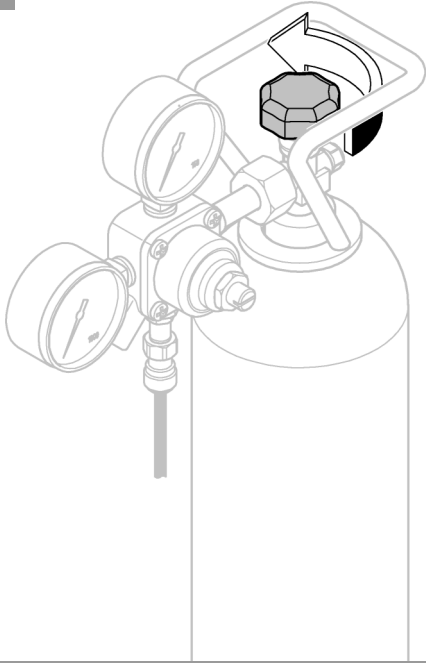


USA / F / E

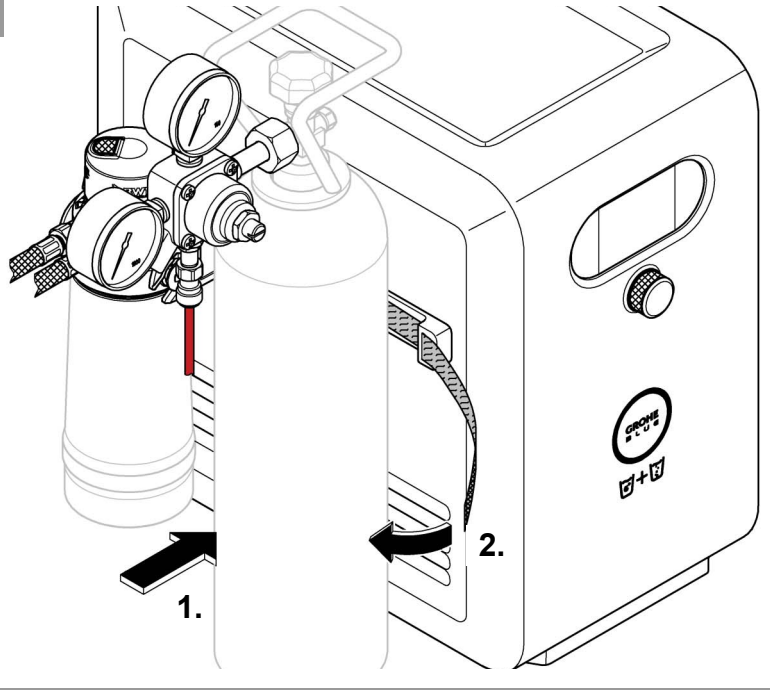
Resetting the filter capacity
Réinitialisation de la capacité du filtre
Restablecer la capacidad del filtro



40



41



**GROHE
ONDUS**



for Android™

4.3 and above
Requirements on the device:
min. 160 dpi pixel density
min. 320 x 470 pixel resolution

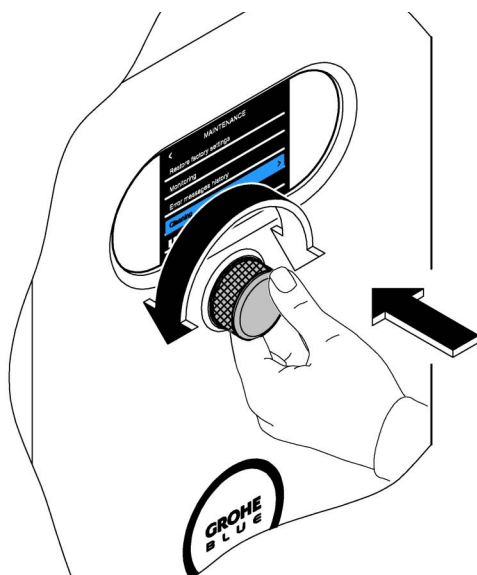


for iOS

9.0 and above



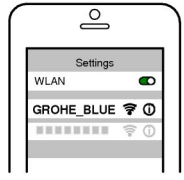
1



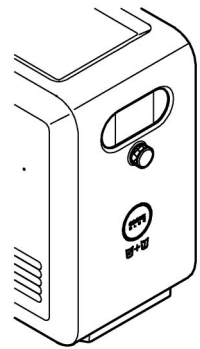
USA / F / E

Activate Wifi access point
Activer le point d'accès Wifi
Activar el punto de acceso Wifi

2



WLAN
SSID: GROHE_BLUE
max. 5 min

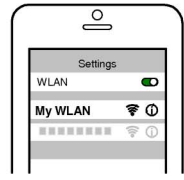


3

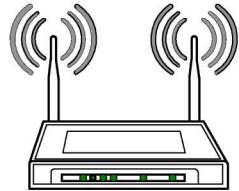


SSID: GROHE_BLUE
Password: xxxxxxxx

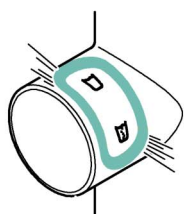
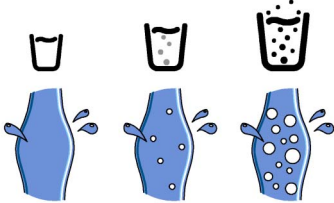
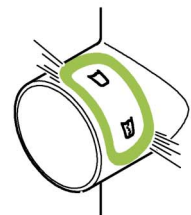
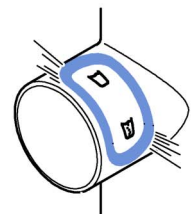
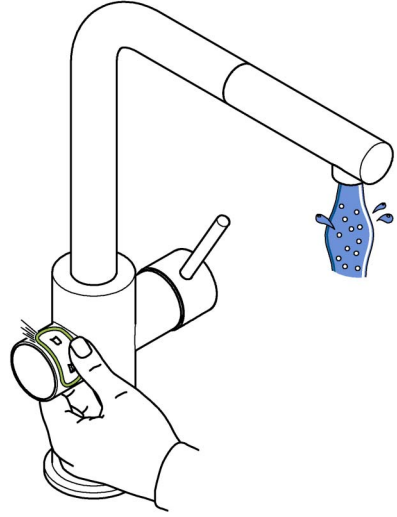
4



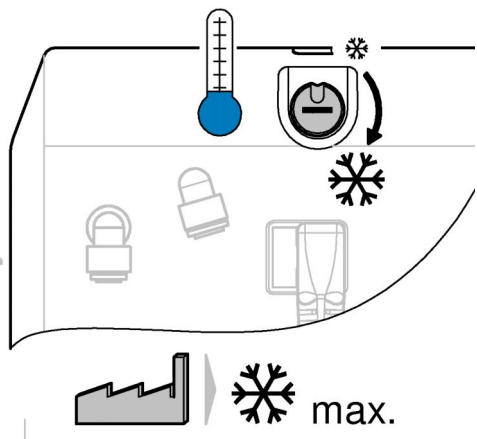
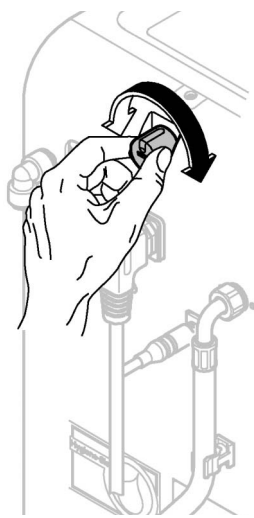
WLAN



A

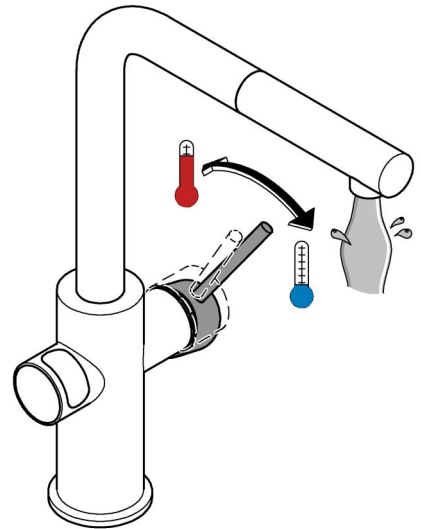


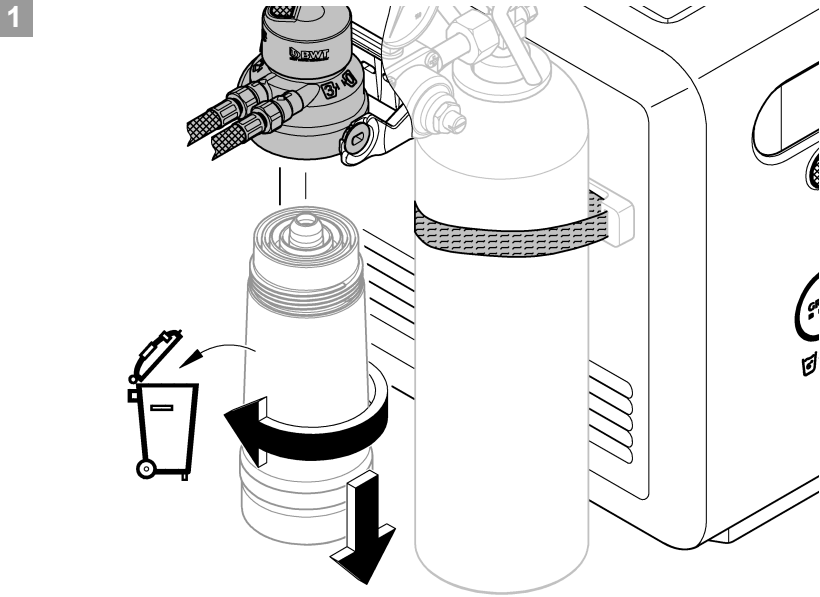
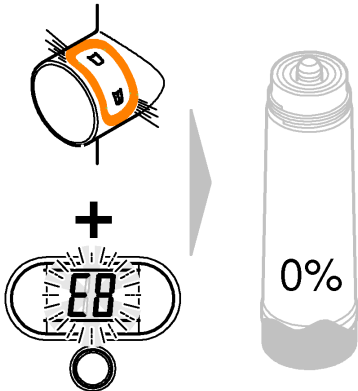
B



max.

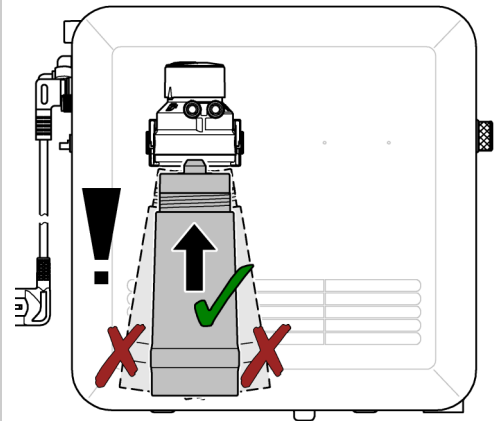
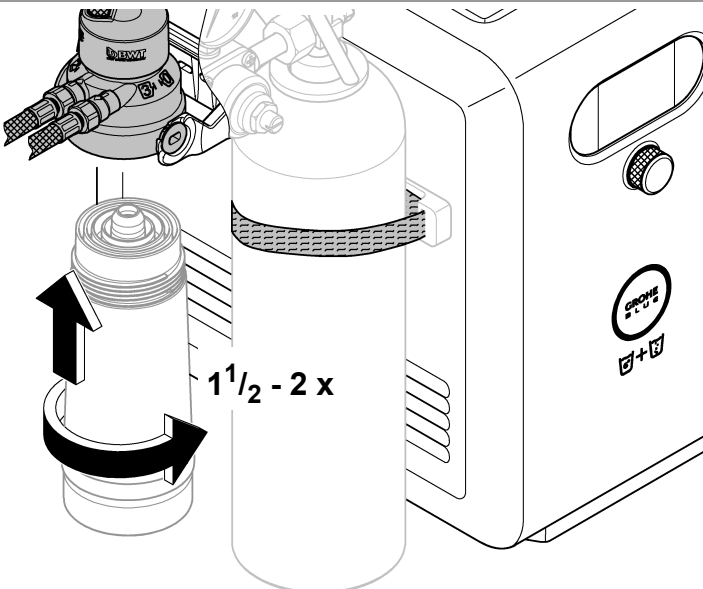
C



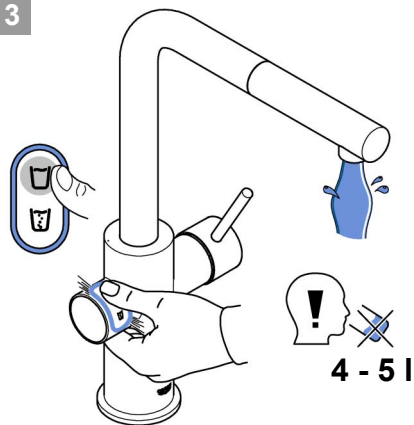


2

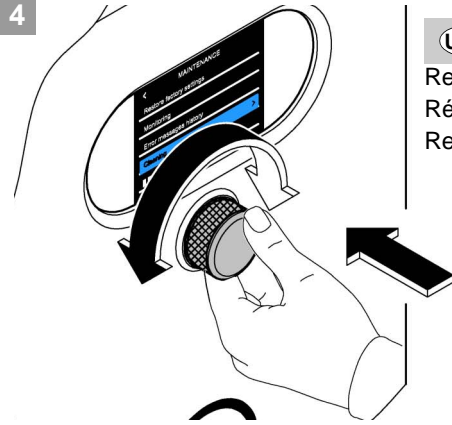
- S-Size**
(*40 404 001)
- M-Size**
(*40 430 001)
- L-Size**
(*40 412 001)
- Ac**
(*40 547 001)
- UltraSafe**
(*40 575 001)
- Mg+**
(*40 691 001)



3



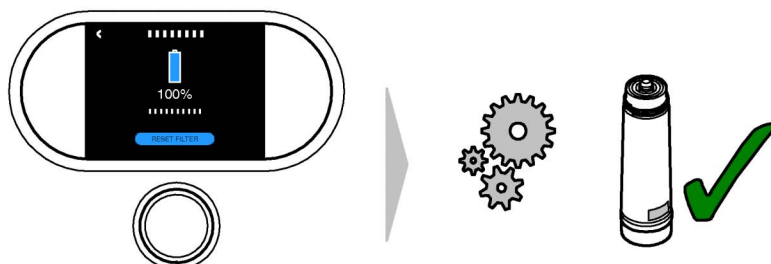
4



USA / F / E

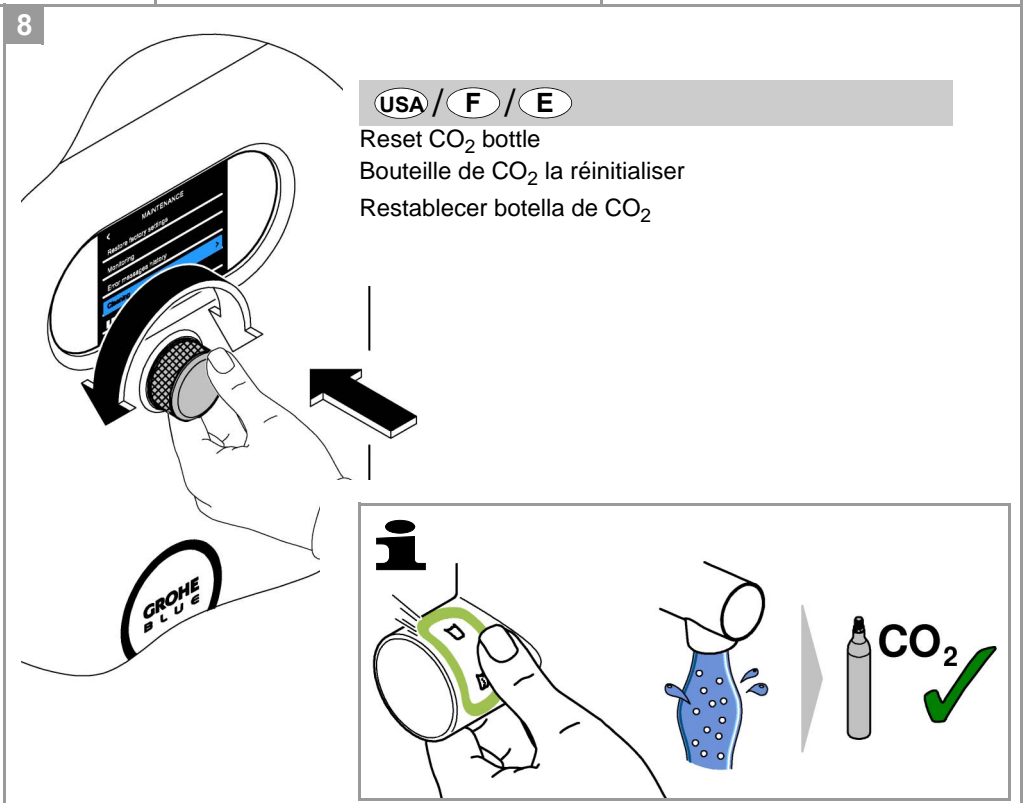
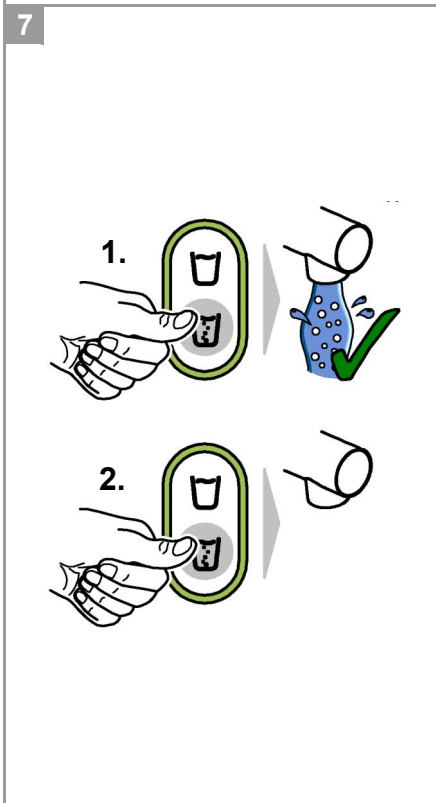
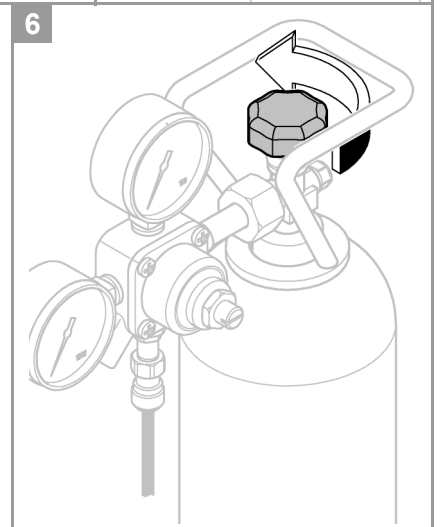
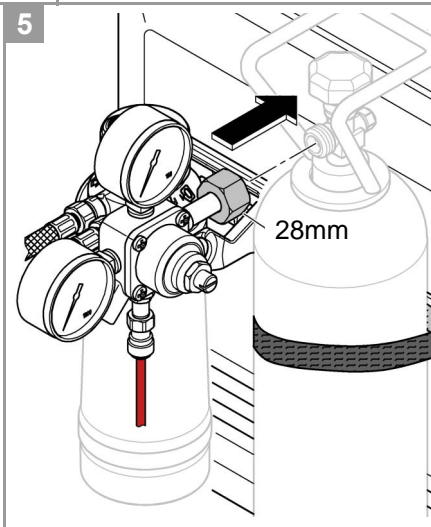
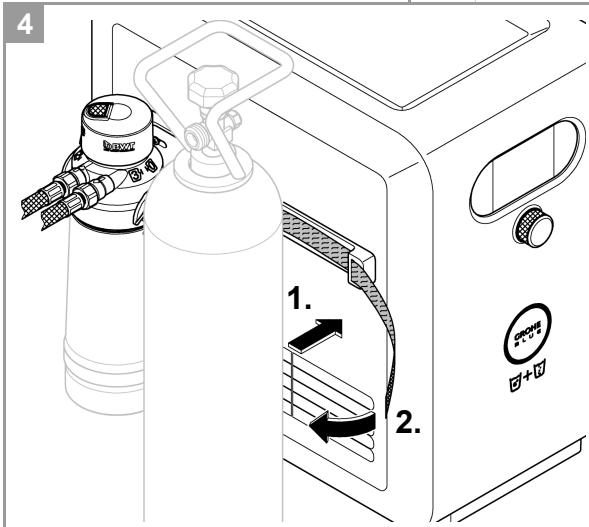
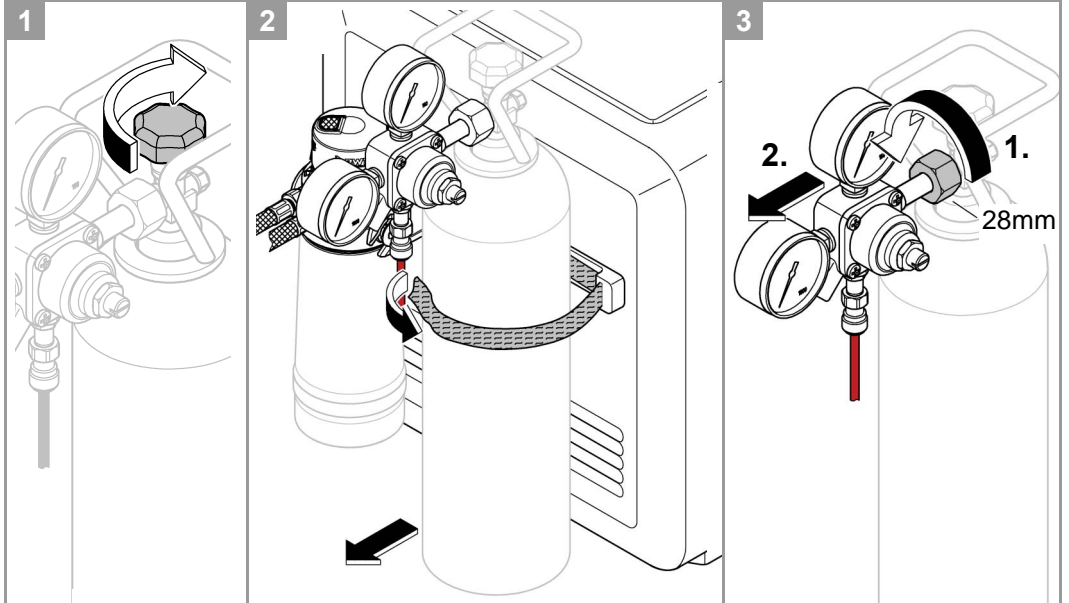
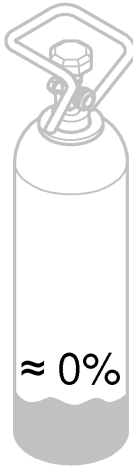
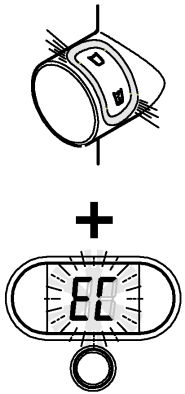
Resetting the filter capacity
Réinitialisation de la capacité du filtre
Restablecer la capacidad del filtro

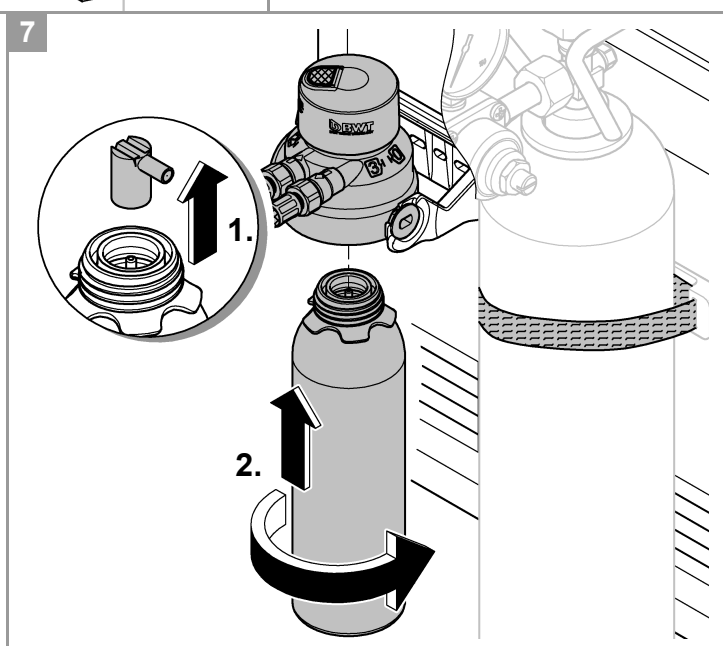
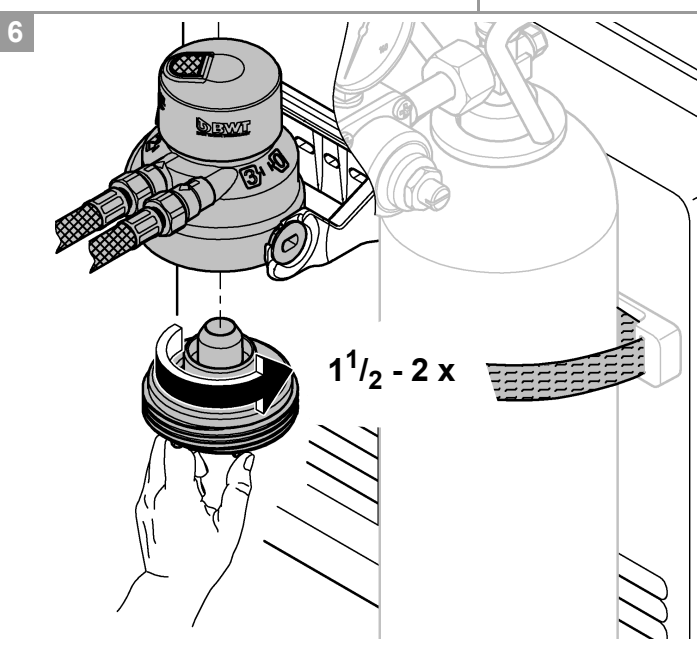
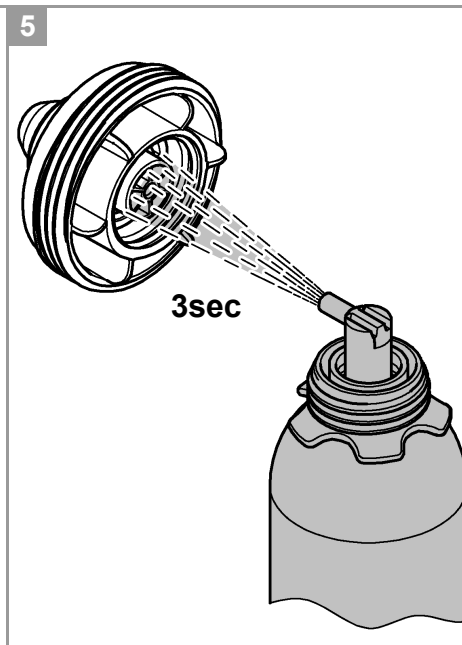
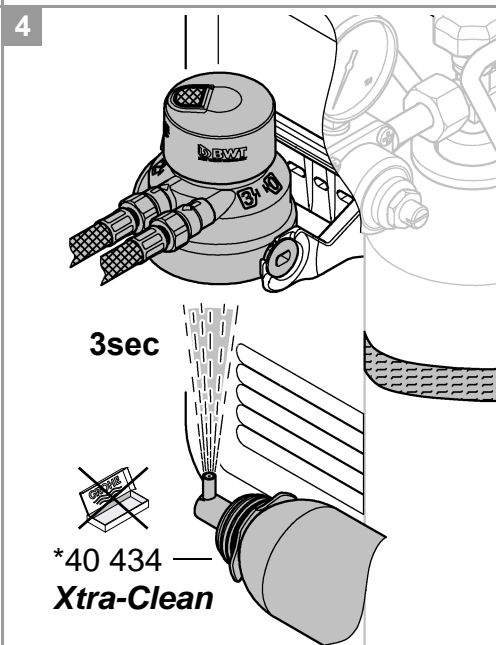
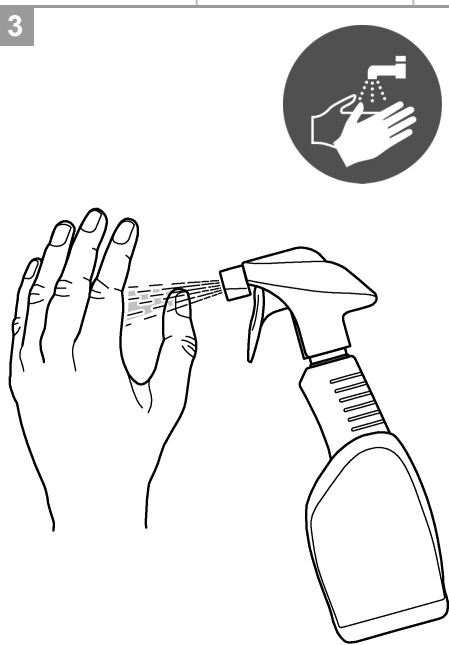
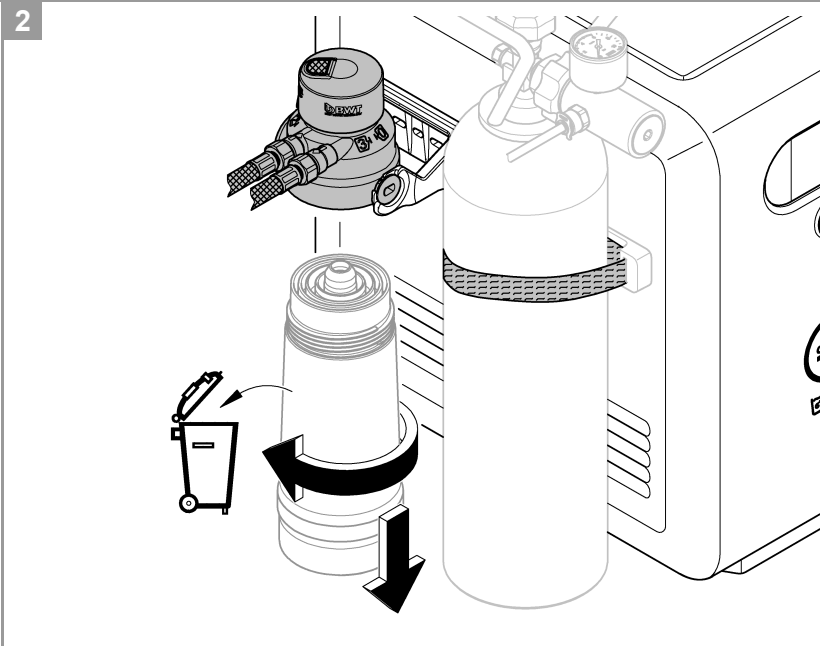
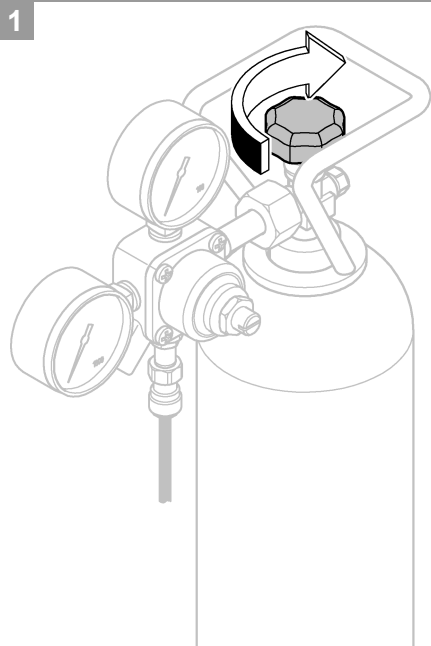
5



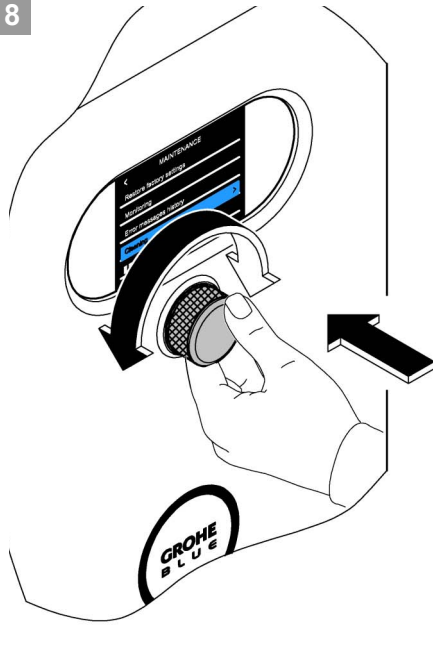


MAINTENANCE



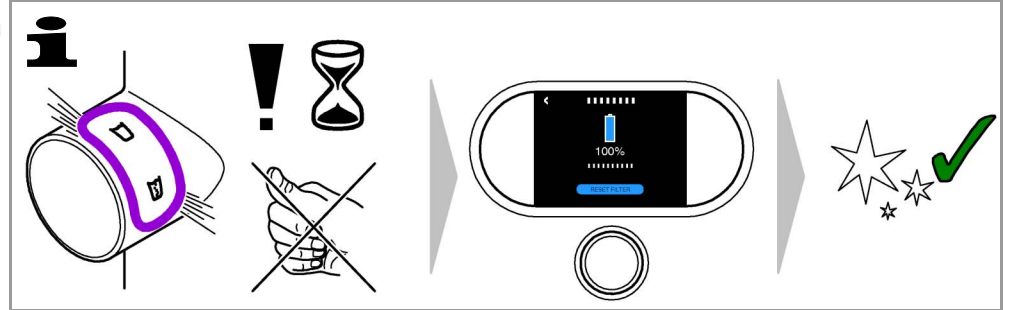


8

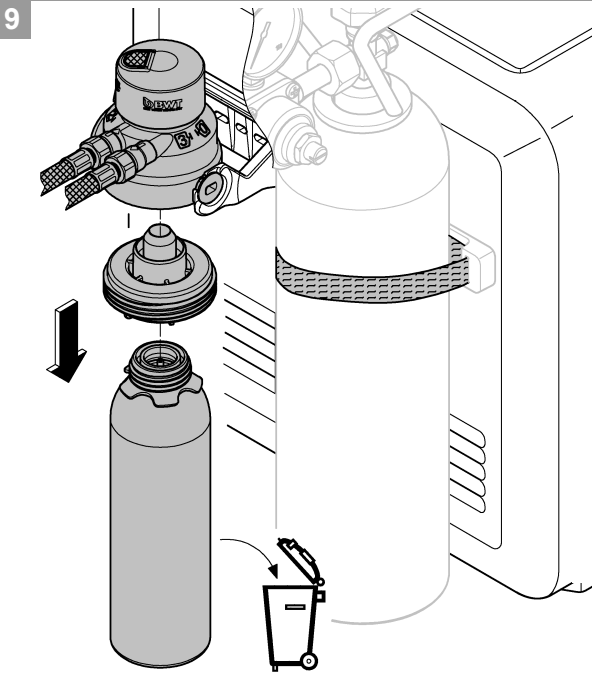


USA / F / E

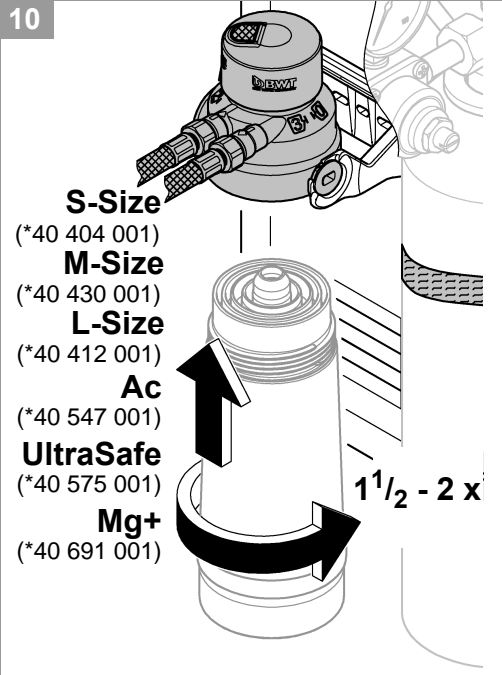
Start cleaning
 Commencer le nettoyage
 Empezar a limpiar



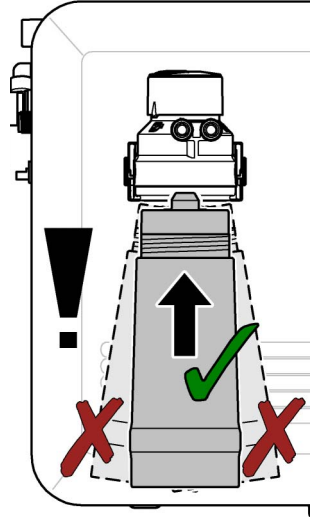
9



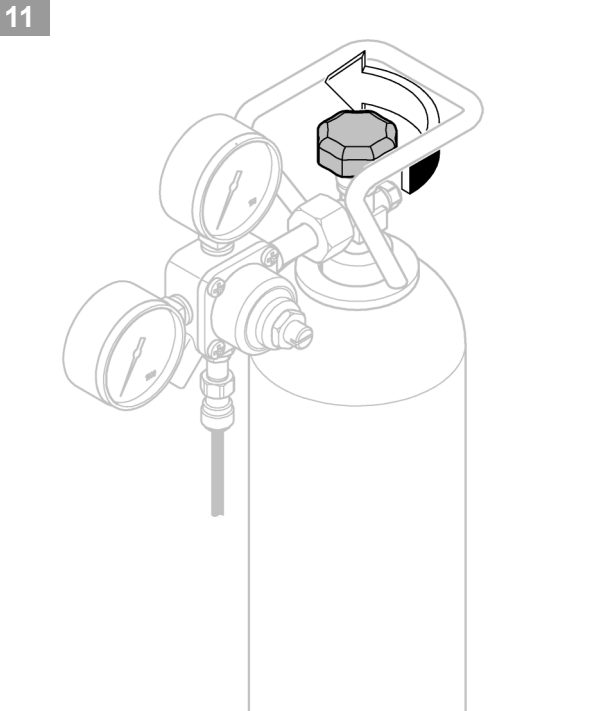
10



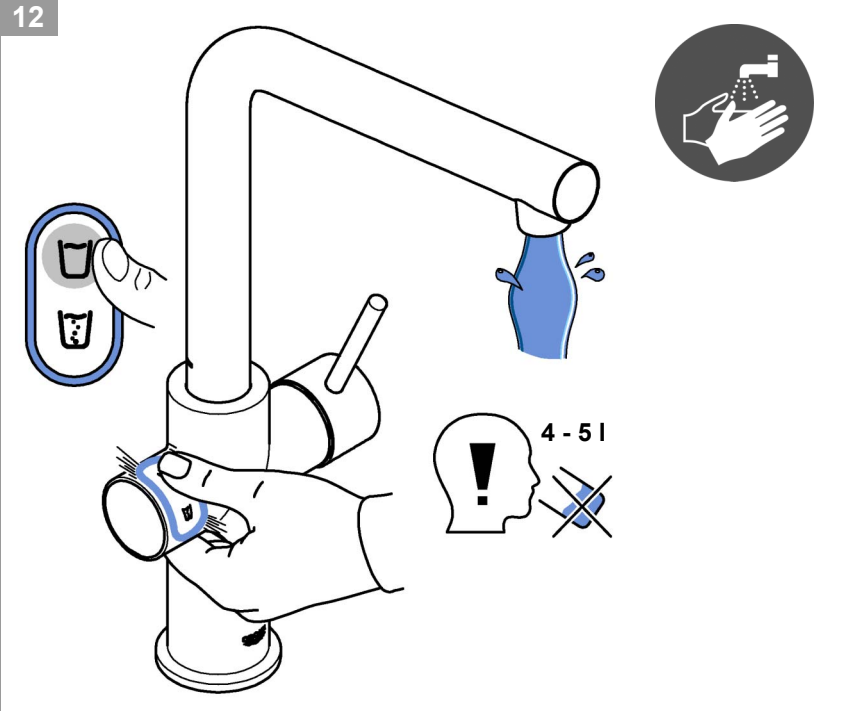
- S-Size**
(*40 404 001)
- M-Size**
(*40 430 001)
- L-Size**
(*40 412 001)
- Ac**
(*40 547 001)
- UltraSafe**
(*40 575 001)
- Mg+**
(*40 691 001)



11



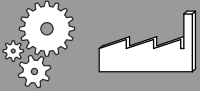
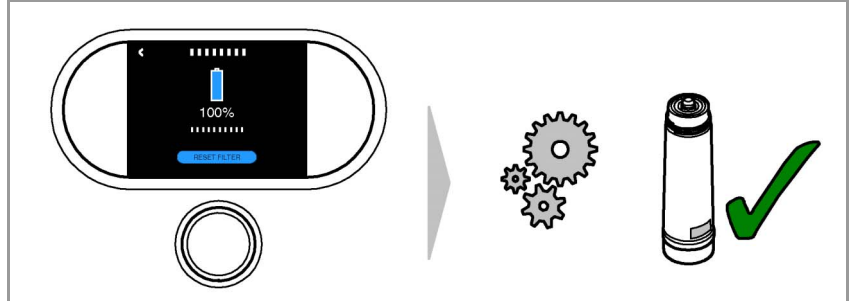
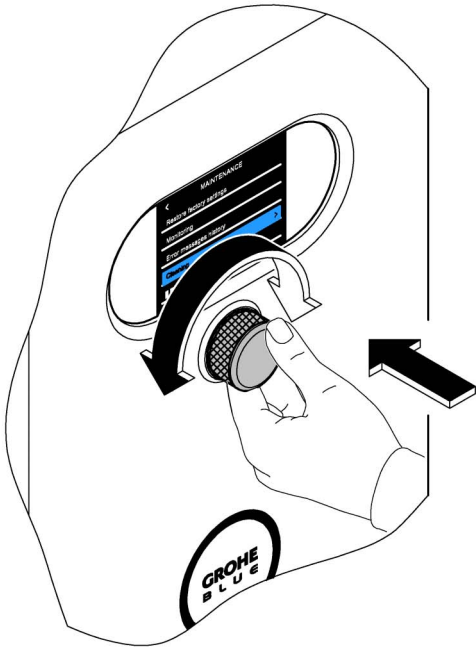
12



4 - 5 l

USA / F / E

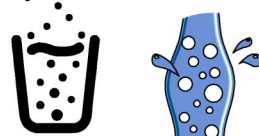
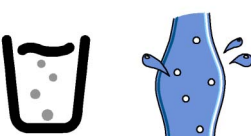
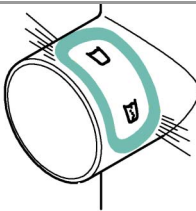
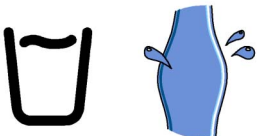
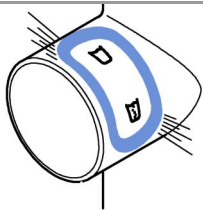
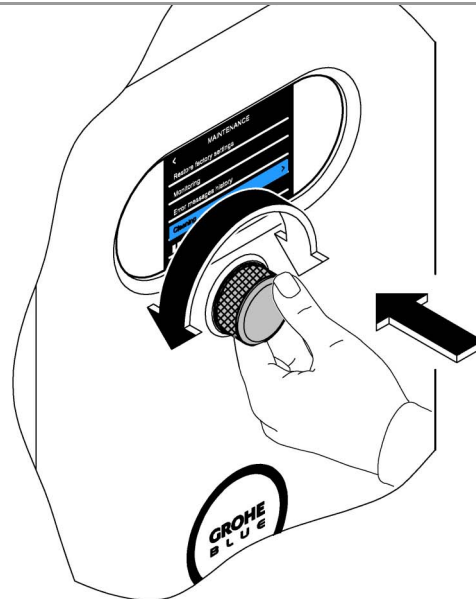
Resetting the filter capacity
 Réinitialisation de la capacité du filtre
 Restablecer la capacidad del filtro

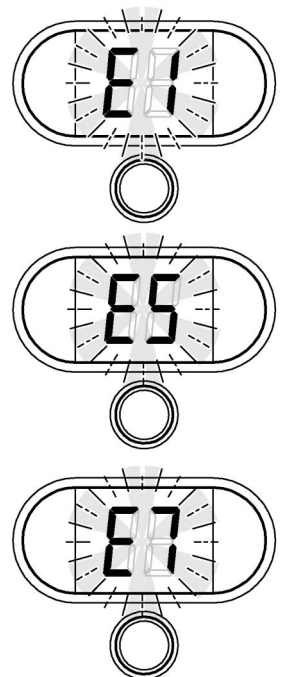
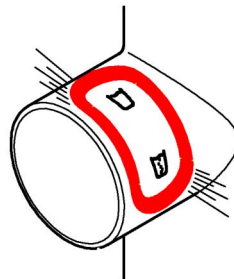
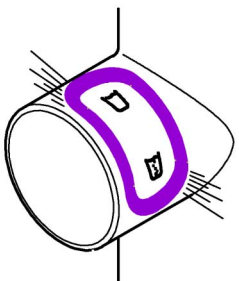
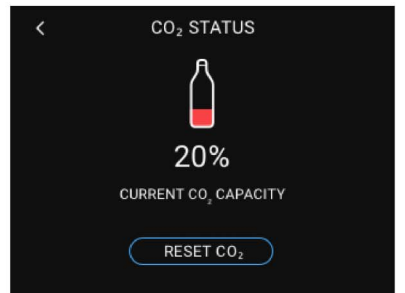
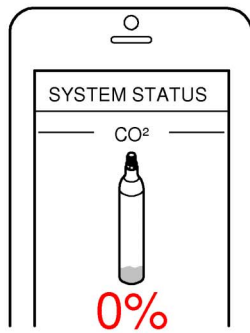
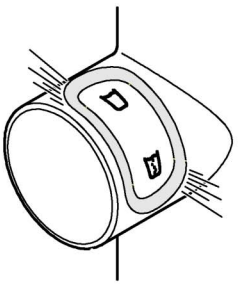
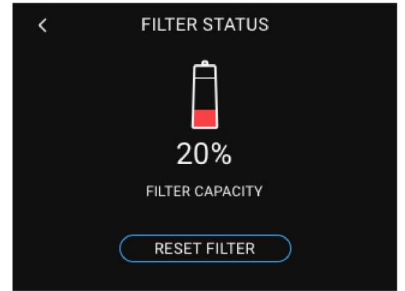
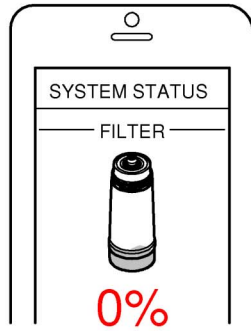
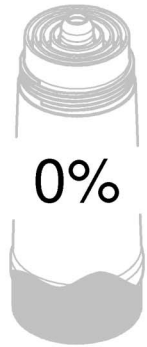
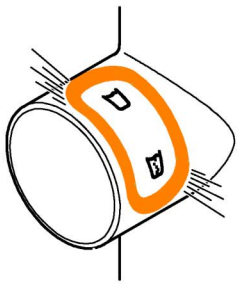


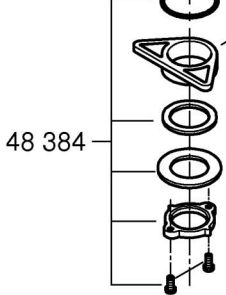
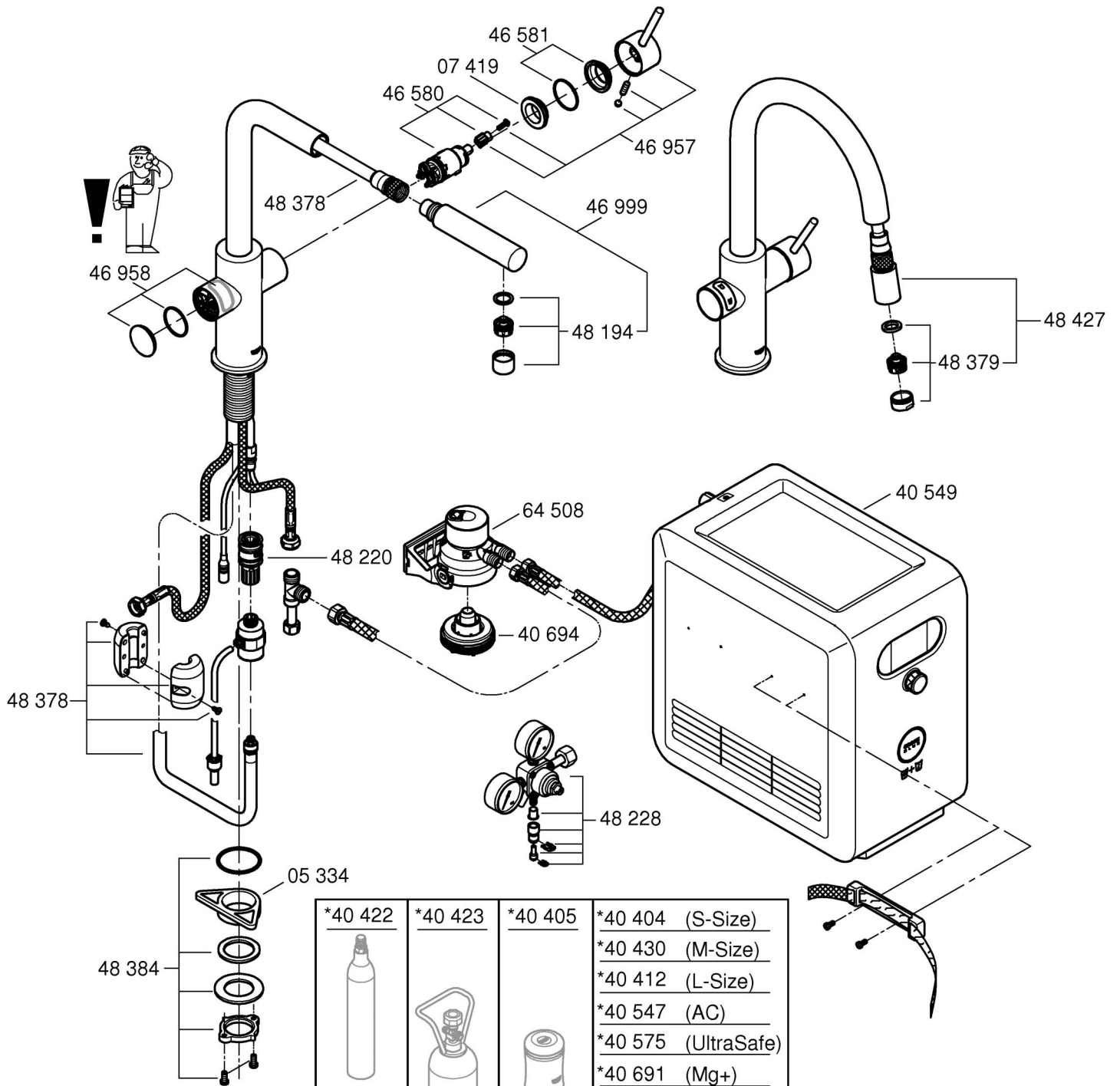
MAINTENANCE







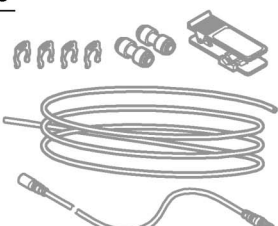
USA / F / E

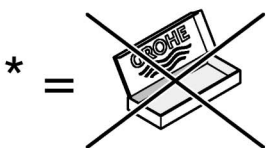
Restore factory settings
 Rétablissement des réglages par défaut
 Restaurar la configuración de fábrica







<p>*40 422</p>  <p>+</p> <p>*40 962</p> 	<p>*40 423</p> 	<p>*40 405</p> 	<p>*40 404 (S-Size)</p> <p>*40 430 (M-Size)</p> <p>*40 412 (L-Size)</p> <p>*40 547 (AC)</p> <p>*40 575 (UltraSafe)</p> <p>*40 691 (Mg+)</p> 
<p>*40 434</p> 	<p>*40 843</p> 		



Safety information



This device may be used by **children** over 8 years of age, as well as persons with physical, sensory, or mental disabilities or inadequate experience and knowledge, if they are under supervision or were instructed in the safe use of the device and understand the resulting risks. **Children must not** play with the device. Cleaning and **user maintenance must not** be carried out by **children** without supervision.



Prevent danger resulting from damaged power supply cables. In the case of damage, the mains cable **must** be replaced by the manufacturer or his customer service department, or an equally qualified person.

CO₂ (carbon dioxide) is a gas and **must not** be inhaled due to danger of suffocation.

The CO₂ cylinder is pressurised. It **must only** be operated in the vertical position.

The use of non-genuine **GROHE** CO₂ bottles can result in damage to the pressure-reducing valve.



In the case of damaged cooling circuit: pull mains plug. Ventilate the room in which the device is located well for a few minutes. Inform customer service.



Splashing coolant can lead to eye injuries.

The coolant R600a is a natural gas with high environmental compatibility, but flammable. It does not damage the ozone layer and does not increase the greenhouse effect.

- Only connect the attached power cord with low-power connection socket according to IEC 60320-C13 to a suitable fused socket with at least a 10 A and a ground fault circuit interrupter. The socket must be freely accessible after installation.



Do **not** seal ventilation openings on the device enclosure or on surrounding furniture.

- The system **must not** be transported with the CO₂ cylinder connected.
- The CO₂ cylinder **must not** be maintained or repaired by unauthorised persons.

- During cleaning, do **not** spray the cooler/carbonator or the plug directly or indirectly with water.
- The cooler/carbonator **must** be connected to a permanent power supply.
- At the installation location, the cooler/carbonator, CO₂ cylinder and filter system **must** be protected from mechanical damage, heat and direct sunlight. Do **not** install near heat sources, other ignition sources or open fire.
- The cooler/carbonator **must** be placed in an upright position.
- The cooler/carbonator **must not** be opened.
- Installation of the fitting and cooler/carbonator with filter cartridge **is only permitted** in frost-free rooms.
- The cooler/carbonator is **only** suitable for indoor use.
- When transporting or installing the cooler/carbonator, cooling fluid may have run into the lines. In order to ensure that the cooling fluid has run back, the cooler/carbonator may only be **installed following** a pause of **24 hours**.
- For optimal cooling performance, the system will require a rest period of **6 hours** after the installation.
- Do not use a damaged device.
- Following installation, the cooler/carbonator **must** be cleaned before first use.

Note:

The cleaning kit (Prod. no.: 40 434 001) and the accompanying adapter (Prod. no.: 40 694 000) can be ordered at www.shop.grohe.com.

- After installing the cooler carbonator must **not** be disconnected from the power.
- The fitting has a system-related run-on time of approx. 1 second each time carbonated water is drawn.

Notes on software and internet connection:

- In order to ensure the device operates with full functionality, both the smartphone used and GROHE Blue cooler must be connected to the internet, and the device must have been installed successfully via the GROHE ONDUS app beforehand. Otherwise, the device will not be configured and no messages can be sent.
- GROHE takes all necessary measures to ensure safe and correct use. In the event of a malicious attack by third parties, GROHE advises to install the latest firmware and/or disconnect the device from the power supply grid until you receive further information from GROHE.

Use **only original spare parts and accessories**. The use of other parts will result in voiding the warranty and the CE marking, and could cause injury.

The filter head **must be** replaced after 5 years.

Technical data cooler/carbonator electrical data:

• Connection:	Wall socket with earth wire, protected via a 10 A fuse
• Voltage supply:	110 V AC / 60 Hz
• Max. power consumption:	240 W
• Type of protection:	IP 21
• Relative air humidity:	max. 80%
• Refrigerant:	0.030 kg - R600a
• Safety shut-off of pump:	approx. 4:30 min
• Operating pressure:	min. 29 psi- max. 145 psi
• Max. CO ₂ inlet pressure:	69.6 psi
• Max. refrigerant pressure:	435.1 psi
• WLAN:	2.4 GHz, IEEE 802.11 b/g/n/e/i
• Bluetooth:	v4.2 BLE
• Temperature class:	N

Sanitary data:

• Cooler/carbonator cooled water capacity:	0.4 gal
• Operating pressure:	max. 87 psi
• Flow rate at 43.5 psi flow pressure:	approx. 0.5 gpm
• Ambient temperature:	39 °F – 95 °F
• Temperature	
– Cooler/carbonator water inlet:	max. 75 °F
– Cooled water temperature:	approx. 41 °F – 50 °F
• Sound pressure level LpA (freestanding):	50 ± 4 dB
• Adjustable bypass, factory setting:	2
• Water connection	
– Cooler/carbonator:	cold - blue

Electrical test data:

• Software class:	A
• Contamination class:	2
• Rated surge voltage:	2,500 V

The test for electromagnetic compatibility (interference emission test) was performed at the rated voltage and rated current.

Technical data fitting:

• Flow pressure:	29 – 130.5 psi
• Operating pressure:	max. 14.5 psi
• Test pressure:	232 psi

To comply with noise levels if static pressure exceeds 72.5 psi, a pressure reducing valve must be fitted.

Avoid major pressure differences between hot and cold water supply.

• Flow rate at 43.5 psi flow pressure:	approx. 1.8 gpm
• Temperature	
– Hot water inlet:	max. 158 °F
– Recommended (energy saving):	140 °F

Water connection:	cold - right hot - left
-------------------	----------------------------

Thermal disinfection of the fitting is possible.

GROHE ONDUS app and connection to the internet

A GROHE Blue cooler connected to the internet via Wi-Fi can be integrated and configured in the GROHE ONDUS app. This app can be used to deliver messages in the form of push notifications.

A WLAN router with internet access (2.4 GHz, IEEE 802.11b/g/n) is required.

Only WLAN channels 1 – 11 can be used.

Installation of the app:



If the app or the device firmware requires updating, the smartphone must be located in the immediate vicinity of the GROHE Blue cooler. In this way, possible interruptions in function can be controlled and rectified.

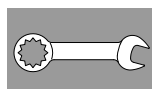
Operating conditions

Interference sources

The transmitter/receiver unit operates in the ISM frequency band (2.4 GHz). Installation in proximity to devices with the same frequency band (e.g. WLAN devices, HF components, etc. [observe manufacturer documentation!]) should be avoided.

Obstructions/barriers

Wireless reception can be impaired and interrupted under unfavourable surrounding conditions, in buildings/rooms with reinforced concrete walls, steel and iron frames or in proximity to obstacles (e.g. furniture) made of metal. Where necessary, a WLAN repeater must be connected to the main router in order to increase the range of the radio signal.



Installation and commissioning

GROHE recommends a depth of min. 19.7" for the cabinet.

Flush pipes thoroughly before and after installation

(observe EN 806)!

Adjust bypass of filterhead according to local carbonate hardness and connect filter cartridge.

The carbonate hardness can be tested by using the enclosed test strip or the relevant water supplier can provide information on the carbonate hardness.

The fitting has a system-related run-on time of approx. 1 s.

Note: Make sure that the water inlet hose does not come loose by movement when installing the cooler.

When transporting or installing the cooler/carbonator, cooling fluid may have run into the lines.

- In order to ensure that the cooling fluid has run back, the cooler/carbonator may only be installed following a pause of 24 hours.

Display:

In the inactive state, the remaining filter capacity is displayed in per cent.

When carbonate hardness ≤9° the use of activated carbon filter (Order no.: 40 547 001) is recommended.

The cooler/carbonator of the GROHE Blue® fitting is set for operation with the S size filter cartridge (Prod no.: 40 404 001) at the factory.

For operation with other filter cartridges the cooler/carbonator must be set out.



Maintenance and cleaning

CAUTION!

Risk of damage!

Always disconnect the power supply and interrupt the CO₂ supply before carrying out maintenance work on the system. The plug-in connector can then be disconnected.

Cleaning the cooler/carbonator

For hygienic and health reasons, the cooler/carbonator must be cleaned twice a year. Cleaning must be performed before changing the filter cartridge, in order to prevent contamination of the replacement filter cartridge.

Note: The cleaning kit (Prod. no.: 40 434 001) and the accompanying adapter (Prod. no.: 40 694 000) can be ordered at www.shop.grohe.com.



Service

Fault ?	Cause !	Remedial action ✓
Water not flowing	<ul style="list-style-type: none"> Filter not installed correctly Hoses kinked Water supply interrupted 	<ul style="list-style-type: none"> Insert filter straight (1 1/2 - 2 turns). Check hoses for kinks. Open shut-off valves fully.
E1 in the display, no filtered water, Blue® handle flashes red	<ul style="list-style-type: none"> Safety shut-off of pump 	<ul style="list-style-type: none"> Disconnect voltage supply, Disconnect the power supply, wait 30 seconds and re-connect. * Insert filter straight (1 1/2 - 2 turns). Check hoses for kinks. Open shut-off valves fully.
E3 in the display, no filtered water	<ul style="list-style-type: none"> No connection between fitting and cooler/carbonator Cable or connector faulty 	<ul style="list-style-type: none"> Connect plug-in connector. * Contact Grohe Service.
E5 in the display, no filtered water, Blue® handle flashes red	<ul style="list-style-type: none"> Fault function of cooler/carbonator 	<ul style="list-style-type: none"> Disconnect voltage supply, Disconnect the power supply, wait 30 seconds and re-connect. *
E7 in the display, no filtered water, Blue® handle flashes red	<ul style="list-style-type: none"> Humidity detected inside the cooler 	<ul style="list-style-type: none"> Disconnect voltage supply, wait 15 minutes and re-connect. * If condensation, the cooler is ready for operation after that. If leakage occurs, the error message occurs again and the GROHE Service must be contacted.
E8 in the display, Blue® handle flashes orange	<ul style="list-style-type: none"> Filter capacity exceeded 	<ul style="list-style-type: none"> Change filter cartridge immediately, see page 11.
E9 flashes alternately with HI in the display	<ul style="list-style-type: none"> Cooler/carbonator overheated 	<ul style="list-style-type: none"> Close Blue® handle, ensure ventilation and reduce ambient temperature to max. 32 °C. Let cool down the cooler for least 10 -15 min. Reset error message E9, see below.
EC in the display, Blue® handle flashes white	<ul style="list-style-type: none"> CO₂ bottle almost empty or not in place 	<ul style="list-style-type: none"> Replace CO₂ bottle or put back in place, see page 12.
No carbon dioxide in positions Medium and Sparkling	<ul style="list-style-type: none"> CO₂ cylinder empty 	<ul style="list-style-type: none"> Replace CO₂ bottle, see page 12.

*If the faults E1 to E7 occur three times or more, please contact GROHE customer service.

Ondus app service

Fault ?	Cause !	Remedial action ✓
Login/registration not possible	<ul style="list-style-type: none"> No GROHE account available Not logged-in to Google or Facebook account 	<ul style="list-style-type: none"> Log-in using a new GROHE account Log-in using an existing Google or Facebook account
Access point (Wi-Fi) of the GROHE Blue Home cooler is not visible	<ul style="list-style-type: none"> Configuration mode / access point not activated 	<ul style="list-style-type: none"> Activate Wi-Fi on the smartphone and ensure permanent access to internet. If only other wireless networks are shown, then contact GROHE customer service.
Integration has failed	<ul style="list-style-type: none"> The GROHE Blue Home cooler is out of reception range 	<ul style="list-style-type: none"> Change the location of the router Use a Wi-Fi repeater

Reset error message E9, automatically approx. 20 minutes after cooling down to max. 90 °F or by interrupting the power supply approx. 30 seconds after cooling.

- Let cool down the cooler for least 10 -15 min.

If EE flashes or the problem cannot be rectified, interrupt the power supply to the cooler/carbonator. Note down the serial number of the cooler/carbonator and consult a specialist installer or contact the GROHE Service Hotline via email under **TechnicalSupport-HQ@grohe.com**.

The GROHE Blue cooler/carbonator may only be repaired by GROHE Service.

Environment and recycling

For reasons of hygiene, it is not possible to recycle used filter cartridges. Used filter cartridges can be disposed of hazard-free as residual waste.

The cooler/carbonator is an electrical device, to which return and take-back obligations apply in many countries. GROHE participates in such take-back systems in all relevant countries.

When preparing your device for disposal, please make sure to safely store your device and protect the refrigerant circuit from damage. The device contains a **flammable** coolant.



This category of device does **not** belong in domestic waste, but **must** be disposed of separately in accordance with the relevant national regulations.

Consignes de sécurité



Cet appareil peut être utilisé par des **enfants** âgés de 8 ans et plus ainsi que par des personnes ayant des capacités physiques, sensorielles ou mentales réduites ou des personnes avec peu d'expérience ou de connaissances, à condition qu'elles soient supervisées ou instruites quant à l'utilisation sécurisée de l'appareil et qu'elles comprennent les dangers qui peuvent en résulter. Les **enfants** ne doivent **pas** être autorisés à jouer avec l'appareil. Le nettoyage et la **maintenance par l'utilisateur** ne doivent **pas** être effectués par des **enfants** non supervisés.



Prévenir tout risque de danger lié à la détérioration d'un câble d'alimentation électrique. En cas d'endommagement du câble d'alimentation, le faire **impérativement** remplacer par le fabricant, son service après-vente ou une personne disposant des mêmes qualifications afin d'éviter tout risque de blessure.

Le CO₂ (dioxyde de carbone) est un gaz qui **ne doit pas** être respiré en raison d'un risque d'asphyxie. La bouteille de CO₂ est sous pression. Elle **doit impérativement** être placée à la verticale.

L'utilisation de bouteilles de CO₂ non originales **GROHE** peut entraîner des dommages sur le réducteur de pression.



Si le circuit frigorifique est endommagé : débrancher la prise secteur. Bien ventiler la pièce dans laquelle l'appareil se trouve. Informer le service après-vente.

Les projections de réfrigérant peuvent entraîner des lésions oculaires.



Le réfrigérant R600a est un gaz naturel avec une grande éco-compatibilité, mais cependant combustible. Il n'endommage pas la couche d'ozone et n'augmente pas l'effet de serre.

- Le câble de raccordement au secteur équipé d'une prise C13 selon CEI 60320 fourni avec la livraison doit uniquement être branché sur une prise adaptée, c'est-à-dire sécurisée jusqu'à au moins 10 A et à travers un disjoncteur différentiel. La prise doit être libre d'accès après l'installation.



Ne **pas** obturer les ouvertures de ventilation situées dans le boîtier de l'appareil ou dans la structure des meubles encastrés.

- Le système **ne doit pas** être transporté avec la bouteille de CO₂ raccordée.
- Il est **interdit** de procéder soi-même à des travaux de réparation ou de maintenance de la bouteille de CO₂.
- Lors du nettoyage, le refroidisseur/appareil à eau gazeuse et la prise **ne doivent pas** être exposés aux éclaboussures d'eau directes ou indirectes.

- Le refroidisseur/appareil à eau gazeuse **doit** être branché à une alimentation électrique permanente.
- Le refroidisseur/appareil à eau gazeuse et la bouteille de CO₂, ainsi que le système de filtre, **doivent** être protégés de tout dommage mécanique, de la chaleur et des rayons directs du soleil à leur emplacement de montage.
Ne pas installer à proximité de sources de chaleur, sources d'ignition ou de flammes nues.
- Le refroidisseur/appareil à eau gazeuse **doit** être positionné à l'horizontale.
- Le refroidisseur/appareil à eau gazeuse **ne doit pas** être ouvert.
- Procéder à l'installation de la robinetterie et du refroidisseur/appareil à eau gazeuse avec cartouche de filtre **uniquement** dans un endroit à l'abri du gel.
- Le refroidisseur/appareil à eau gazeuse doit être utilisé **exclusivement** dans un endroit fermé.
- Il est possible que du fluide frigorigène se soit écoulé dans le refroidisseur/appareil à eau gazeuse lors du transport ou de la pose. Afin de garantir le reflux du fluide frigorigène, le refroidisseur/carbonateur ne doit être **installé** qu'**après** un temps de repos de **24 heures**.
- Pour une capacité de refroidissement optimale, le système nécessite un temps de repos de **6 heures** après l'installation.
- Ne mettez pas un appareil endommagé en service.
- Suite à l'installation, le refroidisseur/carbonateur doit **impérativement** être nettoyé avant la première utilisation.

Remarque :

Le kit de nettoyage (réf. : 40 434 001) et l'adaptateur correspondant (réf. : 40 694 000) peuvent être commandés sur le site www.shop.grohe.com.

- Après la mise en service, le refroidisseur/carbonateur **ne doit pas** être débranché.
- La robinetterie continue de fonctionner pendant 1 seconde env. à chaque fois que de l'eau gazeuse a été tirée, et ce, en raison de la conception du système.

Remarques relatives au logiciel et à la connexion Internet :

- Afin de profiter de toutes les fonctionnalités de l'appareil, il est nécessaire que le smartphone utilisé et le refroidisseur GROHE Blue soient connectés à Internet et que l'appareil ait été préalablement installé via l'application GROHE ONDUS. Dans le cas contraire, l'appareil n'est pas configuré et aucun message ne peut être envoyé.
- GROHE met tout en œuvre pour garantir une utilisation sûre et adaptée. En cas d'intervention malveillante par un tiers (piratage), GROHE recommande d'installer la dernière mise à jour du micrologiciel et/ou de débrancher l'appareil jusqu'à ce que GROHE vous communique la procédure à suivre.

L'utilisation d'autres pièces entraîne automatiquement l'annulation de la garantie et du label CE et peut causer des blessures.

La tête de filtre **doit** être remplacée après 5 ans par.

Caractéristiques techniques du refroidisseur/ carbonateur :

- Raccordement : prise murale avec connexion à la terre, protégée par un fusible 10 A
- Alimentation électrique : 110 V CA / 60 Hz
- Puissance consommée max. : 240 W
- Type de protection : IP 21
- Humidité relative de l'air : 80% max.
- Fluide frigorigène : 0,030 kg-R600a
- Arrêt automatique de la pompe : 4 mn 30 s env.
- Pression de service : min. 0,2 MPa – max. 1 MPa
- Pression d'entrée de CO₂ max. : 0,48 MPa
- Pression max. fluide frigorigène: 3,0 MPa
- WLAN: 2,4 GHz, IEEE 802.11 b/g/n/e/i
- Bluetooth: v4.2 BLE
- Catégorie de température: N

Caractéristiques techniques sanitaires :

- Quantité d'eau refroidie dans le refroidisseur/appareil à eau gazeuse : 1,4 l
- Pression de service : 0,6 MPa max.
- Débit à une pression dynamique de 0,3 MPa : env. 2 l/min
- Température ambiante : 4 à 35 °C
- Température
 - entrée d'eau chaude au niveau du refroidisseur/appareil à eau gazeuse : 24 °C max.
 - Température de l'eau refroidie : env. 5 à 10 °C
- Niveau de pression acoustique L_{pA} (posé sur le sol) : 50 ± 4 dB
- Dérivation réglable, réglage par défaut : 2
- Raccordement d'eau
 - refroidisseur/appareil à eau gazeuse : froide - bleu

Données d'essai électriques :

- Classe de logiciel : A
- Degré de salissure : 2
- Tension nominale de choc : 2 500 V

Le contrôle de la compatibilité électromagnétique (contrôle des émissions de parasites) a été effectué avec la tension nominale et le courant nominal.

Caractéristiques techniques de la robinetterie :

- Pression dynamique : 0,2 – 0,9 MPa
- Pression de service : 1 MPa max.
- Pression d'épreuve : 1,6 MPa

Pour se conformer au niveau sonore, installer un réducteur de pression lorsque la pression statique est supérieure à 5 bars.

Éviter les différences importantes de pression entre les raccords d'eau froide et d'eau chaude!

- Débit lorsque la pression dynamique est de 3 bars : env. 7 l/min
- Température
 - Arrivée d'eau chaude : max. 70 °C
 - Recommandée (économie d'énergie) : 60 °C

Raccord d'eau : froide-à droite
chaude-à gauche

Désinfection thermique de la robinetterie est possible.

Application GROHE ONDUS et connexion à Internet

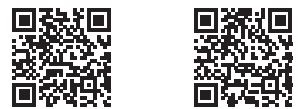
Lorsqu'un refroidisseur GROHE Blue est connecté à Internet via un réseau Wi-Fi, il est possible de l'intégrer à l'application GROHE ONDUS et de l'y configurer. Cette application permet de recevoir des messages sous la forme de notifications push.

Un routeur WLAN avec un accès Internet (2,4 GHz, IEEE 802.11b/g/n) est nécessaire.

Seuls les canaux WLAN 1 à 11 peuvent être utilisés.

Installation de l'application :

Apple : **Android :**



Lorsqu'une mise à jour de l'application ou du micrologiciel de l'appareil est nécessaire, le smartphone doit se trouver à proximité immédiate de refroidisseur GROHE Blue. Cela permet de vérifier qu'aucun dysfonctionnement ne se produit, et de résoudre les problèmes le cas échéant.

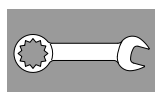
Conditions de service

Sources de perturbations

L'émetteur-récepteur fonctionne sur la bande de fréquence ISM (2,4 GHz). L'installation à proximité d'appareils utilisant le même type de canal (par ex. dispositifs WLAN, composants HF, etc. [voir documentation du fabricant !]) doit être évitée.

Obstacles/barrières

En cas d'utilisation dans des conditions difficiles, dans des bâtiments/pièces avec des murs en béton armé, en acier et à cadre métallique, ou à proximité d'obstacles (par ex. meubles) en métal, la réception radio peut être perturbée et interrompue. Si nécessaire, raccorder un répéteur WLAN au routeur principal afin d'augmenter la portée du signal.



Installation et mise en service

GROHE recommande une profondeur d'installation minimale de 500 mm.

Bien rincer les canalisations avant et après l'installation (respecter la norme EN 806) !

Régler le by-pass de la tête du filtre en respect de la dureté carbonatée locale et raccorder la cartouche du filtre.

Vous pouvez vous renseigner sur la dureté carbonatée à l'aide de la bandelette de test fournie ou auprès de la compagnie des eaux compétente.

La robinetterie continue de fonctionner pendant 1 seconde env. à chaque fois que de l'eau gazeuse a été tirée, et ce, en raison de la conception du système.

Remarque : S'assurer que le flexible d'arrivée d'eau ne se détache pas lors de la pose du refroidisseur.

Il est possible que du fluide frigorigène se soit écoulé dans le refroidisseur/appareil à eau gazeuse lors du transport ou de la pose.

Afin de garantir le reflux du fluide frigorigène, le refroidisseur/carbonateur ne doit être installé qu'après un temps de repos de 24 heures.

Affichages à l'écran :

En mode inactif, la capacité restante de la cartouche de filtre s'affiche en pourcentage.

Pour une dureté carbonatée ≤ 9°, il est recommandé d'utiliser un filtre à charbon actif (réf. 40 547 001).

Le refroidisseur/carbonateur est réglé en usine pour un fonctionnement avec la cartouche de filtre taille S (réf. : 40 404 001).

En cas de fonctionnement avec une autre cartouche de filtre, il convient d'adapter le réglage du refroidisseur/appareil à eau gazeuse.



Maintenance et nettoyage

Nettoyer le refroidisseur/appareil à eau gazeuse

- Pour des raisons sanitaires, le refroidisseur/appareil à eau gazeuse doit être nettoyé deux fois par an. Effectuer impérativement le nettoyage avant de remplacer la cartouche de filtre afin de ne pas salir la cartouche de filtre de rechange.

Remarque : Le kit de nettoyage (réf. : 40 434 001) et l'adaptateur correspondant (réf. : 40 694 000) peuvent être commandés sur le site www.shop.grohe.com.

Attention !

Risque d'endommagement !

- Lors des travaux de maintenance sur le système, l'alimentation électrique et l'alimentation en CO₂ doivent généralement être coupées en premier! Il est possible ensuite de débrancher la fiche de raccordement.



Service

Panne ?	Cause !	Remèdes ✓
L'eau ne s'écoule pas	<ul style="list-style-type: none"> • Le filtre n'est pas correctement installé • Les flexibles sont pliés • L'alimentation en eau est coupée 	<ul style="list-style-type: none"> - Positionner correctement le filtre (1,5 – 2 tours) - Vérifier que les flexibles ne sont pas pliés - Ouvrir complètement les robinets d'arrêt
E1 s'affiche à l'écran, pas d'eau filtrée, la poignée Blue® clignote en rouge	<ul style="list-style-type: none"> • Arrêt automatique de la pompe 	<ul style="list-style-type: none"> - Couper l'alimentation électrique, patienter 30 secondes, puis rétablir l'alimentation * - Positionner correctement le filtre (1,5 – 2 tours) - Vérifier que les flexibles ne sont pas pliés - Ouvrir complètement les robinets d'arrêt
E3 s'affiche à l'écran, pas d'eau filtrée	<ul style="list-style-type: none"> • Absence de connexion entre la robinetterie et le refroidisseur/carbonateur • Fiche de raccordement défectueuse 	<ul style="list-style-type: none"> - Brancher la fiche de raccordement * - S'adresser au service après-vente GROHE
E5 s'affiche à l'écran, pas d'eau filtrée, la poignée Blue® clignote en rouge	<ul style="list-style-type: none"> • Dysfonctionnement du refroidisseur/carbonateur 	<ul style="list-style-type: none"> - Couper l'alimentation électrique, patienter 30 secondes, puis rétablir l'alimentation *
E7 s'affiche à l'écran, la poignée Blue® clignote en rouge	<ul style="list-style-type: none"> • Humidité détectée à l'intérieur du refroidisseur 	<ul style="list-style-type: none"> - Couper l'alimentation électrique, patienter 15 minutes, puis rétablir l'alimentation * • Si l'humidité est due à la condensation, le refroidisseur est ensuite de nouveau opérationnel • En cas de défaut d'étanchéité, le message d'erreur s'affiche de nouveau. Informer le service après-vente GROHE.
E8 s'affiche à l'écran, la poignée Blue® clignote en orange	<ul style="list-style-type: none"> • Dépassement de la capacité du filtre 	<ul style="list-style-type: none"> - Remplacer immédiatement la cartouche du filtre, voir page 11
E9 clignote à l'écran en alternance avec HI	<ul style="list-style-type: none"> • Surchauffe du refroidisseur/carbonateur 	<ul style="list-style-type: none"> - Fermer la poignée Blue®, assurer une ventilation suffisante et baisser la température ambiante à 32 °C max - Laisser refroidir le refroidisseur au moins 10–15 min - Réinitialiser le message d'erreur E9, voir ci-après
EC s'affiche à l'écran, la poignée Blue® clignote en blanc	<ul style="list-style-type: none"> • Bouteille de CO₂ presque vide ou n'a pas été réinitialisée 	<ul style="list-style-type: none"> - Remplacer la bouteille de CO₂ ou la réinitialiser, voir page 12
Aucune gazéification n'a lieu en position Medium et Sparkling	<ul style="list-style-type: none"> • Bouteille de CO₂ vide 	<ul style="list-style-type: none"> - Remplacer la bouteille de CO₂, voir page 12

* Si les erreurs E1 à E7 surviennent trois fois ou plus, veuillez contacter le service après-vente GROHE

Service application Ondus

Panne ?	Cause !	Remèdes ✓
Connexion/enregistrement impossible	<ul style="list-style-type: none"> Aucun compte GROHE disponible Compte Google ou Facebook non enregistré 	<ul style="list-style-type: none"> Se connecter avec un nouveau compte GROHE Se connecter avec un compte Google ou Facebook existant
Point d'accès (Wi-Fi) du refroidisseur GROHE Blue Home introuvable	<ul style="list-style-type: none"> Mode de configuration / point d'accès non activé 	<ul style="list-style-type: none"> Activer la réception Wi-Fi sur le smartphone et s'assurer d'une connexion à Internet pendant toute la durée des opérations. Si les réseaux affichés sont uniquement des réseaux tiers, contacter le service après-vente GROHE.
Échec de l'intégration	<ul style="list-style-type: none"> Refroidisseur GROHE Blue Home hors du champ de réception 	<ul style="list-style-type: none"> Modifier l'emplacement du routeur Utiliser un répéteur Wi-Fi

Réinitialisation du message d'erreur E9, automatiquement environ 20 minutes après refroidissement à 32 °C max. ou par interruption de l'alimentation électrique pendant environ 30 secondes après le refroidissement.

- Laisser le refroidisseur refroidir au moins 10-15 min

Si EE clignote ou s'il n'est pas possible de résoudre le problème, couper la tension d'alimentation du refroidisseur/appareil à eau gazeuse. Noter le numéro de série du refroidisseur/appareil à eau gazeuse inscrit au dos de l'appareil et s'adresser à un installateur spécialisé ou bien envoyer un e-mail à l'assistance technique GROHE à l'adresse **TechnicalSupport-HQ@grohe.com**.

Les travaux de réparation au niveau du refroidisseur/appareil à eau gazeuse GROHE Blue doivent être confiés exclusivement au service après-vente GROHE.

Respect de l'environnement et recyclage

Pour des raisons d'hygiène, le retraitement de cartouches utilisées n'est pas envisageable. Les cartouches de filtre usagées peuvent être jetées avec les ordures ménagères sans que cela ne présente de risque.

Le refroidisseur/appareil à eau gazeuse est un appareil électrique soumis dans de nombreux pays à une obligation de retour et de reprise. GROHE participe aux différents systèmes de reprise dans tous les pays concernés.

Lors de la préparation pour l'élimination, l'appareil doit être gardé en sécurité et le circuit réfrigérant ne doit pas être endommagé.

L'appareil contient un réfrigérant **combustible**.



Ce symbole indique que les appareils **ne doivent en aucun cas** être jetés avec les déchets ménagers. Ils **doivent impérativement** être mis au rebut séparément conformément aux

Información de seguridad



Los **niños** de 8 años y mayores y las personas con capacidades físicas, sensoriales o mentales reducidas o que no posean la experiencia ni los conocimientos necesarios podrán utilizar este producto si están vigilados o si se les ha explicado como se puede usar el equipo de forma segura y entienden los peligros derivados del mismo. **No** permita que los **niños** jueguen con el equipo. Los **niños no** podrán realizar la limpieza y el **mantenimiento** que corresponde al **usuario** sin vigilancia.



Evitar peligros derivados del uso de cables de alimentación de tensión dañados. En caso de daños, el cable de red **lo debe** sustituir el fabricante, el servicio de postventa o una persona cualificada correspondiente.

El CO₂ (dióxido de carbono) es un gas y **no debe** ser respirado, existe peligro de asfixia.

La botella de CO₂ está sometida a presión. **Solo puede** ponerse en funcionamiento colocada de pie.

Si utiliza botellas de CO₂ que no sean originales de **GROHE**, pueden producirse daños en el reductor de presión.



Si se daña el circuito de refrigeración: Desenchufe el conector de red, ventile la habitación en la que se encuentra el equipo durante unos minutos y avise al servicio de postventa.



El fluido refrigerante que sale a chorro puede causar lesiones oculares.

El refrigerador R600a es de gas natural con una sostenibilidad ambiental alta, pero inflamable. No daña la capa de ozono y no aumenta el efecto invernadero.

- Según IEC 60320-C13, el cable de conexión a la red que se adjunta con caja de conexión para aparatos de frío solo se puede conectar a un enchufe apropiado de al menos 10 A y protegido por un interruptor diferencial. Debe resultar posible acceder libremente al enchufe tras la instalación.



No cierre los orificios de ventilación del revestimiento del equipo o de la estructura de los muebles empotrados.

- La instalación **no debe** transportarse con la botella de CO₂ conectada.
- El usuario **no debe** realizar tareas de mantenimiento ni reparación en la botella de CO₂ por su cuenta.
- **No** mojar con agua el enfriador-carbonatador ni los enchufes directa ni indirectamente durante la limpieza.
- El enfriador-carbonatador **debe** estar conectado a una alimentación de tensión permanente.

- El enfriador-carbonatador, la botella de CO₂ y el sistema de filtro **deben** estar protegidos en el lugar de montaje contra daños mecánicos, así como del calor y la radiación solar directa.
No monte fuentes de ignición ni llamas cerca de fuentes de calor.
- El enfriador-carbonatador **debe** colocarse verticalmente.
- El enfriador-carbonatador **no debe** abrirse.
- La instalación de la grifería y el enfriador-carbonatador con cartucho del filtro **solo puede** llevarse a cabo en recintos protegidos contra las heladas.
- El enfriador-carbonatador está diseñado para su uso **exclusivo** en recintos cerrados.
- Al transportar/colocar el enfriador-carbonatador puede haber entrado fluido refrigerante en las conducciones. Para asegurarse de que el refrigerante haya fluido de vuelta, no debe **instalarse** el enfriador-carbonatador **hasta** que haya transcurrido un tiempo de inactividad de **24 horas**.
- Para lograr un rendimiento de refrigeración óptimo, el sistema necesita un tiempo de inactividad de **6 horas** tras la instalación.
- No ponga en funcionamiento equipos dañados.
- Tras la instalación y antes del primer uso, **deberá** llevar a cabo una limpieza del enfriador-carbonatador.

Nota:

El juego de limpieza (n.º de pedido: 40 434 001) y el adaptador correspondiente (n.º de pedido: 40 694 000) se pueden comprar en www.shop.grohe.com.

- Tras la puesta en servicio, el enfriador-carbonatador **no** se puede desenchufar.
- El sistema hace que la grifería funcione en inercia aprox. 1 segundo cada vez que se saca agua carbonatada.

Notas sobre el software y la conexión a Internet:

- Para garantizar un funcionamiento con todas las funcionalidades del equipo, tanto el smartphone utilizado como el enfriador GROHE Blue deben estar conectados a Internet y se debe haber instalado previamente con éxito el equipo mediante la aplicación GROHE ONDUS. De lo contrario, el equipo no se configurará y no se podrán enviar mensajes.
- GROHE adopta todas las medidas necesarias para garantizar un uso seguro y correcto. En caso de que terceros quieran acceder de forma intencionada, GROHE recomienda instalar el firmware más actual o interrumpir el suministro de corriente del equipo hasta que GROHE le facilite más información.

Utilizar **solamente piezas de recambio y accesorios originales**. La utilización de otras piezas conlleva la nulidad de la garantía y del marcado CE, además de que puede causar lesiones. Sustituir el cabezal del filtro una vez transcurridos cinco años.

Datos técnicos del enfriador-carbonatador:

- Conexión: toma de corriente de pared con conductor protector, protegida con un fusible de 10 A
- Alimentación de tensión: 110 V CA/60 Hz
- Consumo de potencia máx.: 240 W
- Tipo de protección: IP 21
- Humedad relativa del aire: máx. 80%
- Refrigerante: 0,030 kg-R600a
- Desconexión de seguridad de la bomba: aprox. 4:30 min
- Presión de utilización: min. 29 psi - máx. 145 psi
- Presión de entrada máx. CO₂: 69.6 psi
- Presión de refrigerante máxima: 435.1 psi
- WLAN: 2,4 GHz, IEEE 802.11 b/g/n/e/i
- Bluetooth: v4.2 BLE
- Clase de temperatura: N

Datos técnicos sanitarios:

- Contenido de agua enfriada en el enfriador-carbonatador: 0,4 gal
- Presión de utilización: máx. 87 psi
- Caudal para una presión de trabajo de 43.5 psi: aprox. 0.5gpm
- Temperatura ambiental: 39 °F–95 °F
- Temperatura
 - entrada de agua del enfriador-carbonatador: máx. 75 °F
 - temperatura del agua enfriada: aprox. 41 °F–50 °F
- Nivel de intensidad acústica L_{pA} (instalación libre): 50 ± 4 dB
- Bypass ajustable, ajuste de fábrica: 2
- Acometida del agua
 - enfriador-carbonatador: fría-azul

Datos de comprobación eléctrica:

- Clase de software: A
- Clase de contaminación: 2
- Sobretensión transitoria nominal: 2500 V

La comprobación de la compatibilidad electromagnética (comprobación de emisión de interferencias) se ha llevado a cabo con la tensión nominal y la corriente nominal.

Datos técnicos de la grifería:

- Presión de trabajo: 29 - 130.5 psi
- Presión de utilización: máx. 14.5 psi
- Presión de verificación: 232 psi

Si la presión en reposo es superior a 72.5 psi, se recomienda instalar un reductor de presión para alcanzar los valores de emisión de ruidos.

¡Hay que evitar las diferencias de presión considerables entre las acometidas del agua fría y del agua caliente!

- Caudal para una presión de trabajo de 43.5 psi: aprox. 1.8 gpm
- Temperatura
 - entrada del agua caliente: máx. 158 °F
 - recomendada (ahorro de energía): 140 °F

Acometida del agua: fría - a la derecha
caliente - a la izquierda

Se permite la desinfección térmica de la grifería.

Aplicación GROHE ONDUS y conexión a Internet

Un enfriador GROHE Blue conectado a Internet vía WLAN podrá integrarse y configurarse en la aplicación GROHE ONDUS. A través de esa aplicación, se pueden enviar notificaciones mediante notificaciones push.

Se necesita un rúter WLAN con acceso a Internet (2,4 GHz, IEEE 802.11b/g/n).

Solo se pueden usar canales inalámbricos, WLAN; 1-11.

Instalación de la aplicación:

Apple:



Android:



En caso de que se requiriera la actualización de la aplicación o de los firmware de los equipos, el smartphone deberá estar muy cerca del enfriador GROHE Blue. Así, se podrán controlar y solucionar posibles interrupciones del funcionamiento.

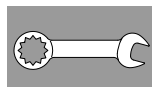
Condiciones de funcionamiento

Fuentes de interferencias

La unidad de emisor/receptor funciona en una banda de frecuencia ISM (2,4 GHz). Se debe evitar realizar la instalación cerca de equipos con la misma banda de frecuencia (por ejemplo, equipos de red inalámbrica, componentes HF, etc. [observar la documentación del fabricante]).

Obstáculos/barreras

Durante el funcionamiento en condiciones ambientales desfavorables, en edificios o salas con paredes de hormigón armado, marcos de hierro y acero o cerca de obstáculos (p. ej., muebles) de metal, la recepción por radio se puede ver afectada o interrumpida. Si procede, debe conectarse un repetidor inalámbrico WLAN al rúter principal para aumentar el alcance de la señal de radio.



Instalación y puesta en servicio

GROHE recomienda un armario con una profundidad mínima de 500 mm.

Lavar a fondo el sistema de tuberías antes y después de la instalación (observar EN 806).

Ajustar el bypass del cabezal del filtro según la dureza de carbonatos local y conectar el cartucho del filtro.

La dureza de carbonatos puede determinarse utilizando el papel de pruebas o consultando al proveedor de agua responsable.

El sistema hace que la grifería funcione en inercia aprox. 1 segundo cada vez que se saca agua carbonatada.

Nota: Debe asegurarse de que al instalar el enfriador no se afloje el tubo flexible de entrada de agua debido al movimiento.

Al transportar/colocar el enfriador-carbonatador puede haber entrado fluido refrigerante en las conducciones.

- **Para asegurarse de que el refrigerante haya fluido de vuelta, no debe instalarse el enfriador-carbonatador hasta que haya transcurrido un tiempo de inactividad de 24 horas.**

Indicaciones del display:

En estado de reposo se visualiza la capacidad restante del filtro en porcentaje.

Con una dureza de carbonatos ≤9° se recomienda utilizar el filtro de carbón activo (n.º de pedido: 40 547 001).

El mando viene ajustado de fábrica para funcionar con el cartucho de filtro del tamaño S (n.º ref.: 40 404 001).

Para su funcionamiento con otro cartucho del filtro, el enfriador-carbonatador debe ajustarse correspondientemente.



Mantenimiento y limpieza

¡Atención!

Riesgo de daños

- **¡Antes de realizar trabajos de mantenimiento en la instalación debe interrumpirse siempre la alimentación de tensión y el suministro de CO₂! Posteriormente, puede separarse el conector de enchufe.**

Limpiar el enfriador-carbonatador

- Por razones de higiene, el enfriador-carbonatador debe limpiarse al menos dos veces al año. La limpieza debe realizarse antes de sustituir el cartucho del filtro para no ensuciar el cartucho del filtro de repuesto.

Nota: El juego de limpieza (n.º de pedido: 40 434 001) y el adaptador correspondiente (n.º de pedido: 40 694 000) se pueden comprar en www.shop.grohe.com.



Servicio

Fallo ?	Causa !	Solución ✓
El agua no fluye	<ul style="list-style-type: none"> • El filtro no se ha introducido correctamente • Tubos flexibles doblados • Alimentación de agua interrumpida 	<ul style="list-style-type: none"> - Colocar el filtro recto (1,5-2 vueltas) - Comprobar los estrangulamientos en los tubos flexibles - Abrir la válvula de cierre por completo
E1 en el display, no hay agua filtrada, la empuñadura Blue® parpadea en rojo	<ul style="list-style-type: none"> • Desconexión de seguridad de la bomba 	<ul style="list-style-type: none"> - Interrumpir la alimentación de tensión, esperar 30 segundos y establecer de nuevo * - Colocar el filtro recto (1,5-2 vueltas) - Comprobar los estrangulamientos en los tubos flexibles - Abrir la válvula de cierre por completo
E3 en el display, no hay agua filtrada	<ul style="list-style-type: none"> • La grifería y el enfriador-carbonatador no están conectados • Avería en la conexión de enchufe 	<ul style="list-style-type: none"> - Establecer la conexión de enchufe * - Ponerse en contacto con el servicio de postventa GROHE
E5 en el display, no hay agua filtrada, la empuñadura Blue® parpadea en rojo	<ul style="list-style-type: none"> • El enfriador-carbonatador funciona mal 	<ul style="list-style-type: none"> - Interrumpir la alimentación de tensión, esperar 30 segundos y establecer de nuevo *
E7 en el display, la empuñadura Blue® parpadea en rojo	<ul style="list-style-type: none"> • Se ha detectado humedad entre los enfriadores 	<ul style="list-style-type: none"> - Interrumpir la alimentación de tensión, esperar 15 minutos y establecer de nuevo * • Si hubiera humedad por condensación, el enfriador estaría de nuevo operativo • Si hubiera una inexactitud, el mensaje de error volvería a aparecer y se tendría que informar al servicio de postventa GROHE.
E8 en el display, la empuñadura Blue® parpadea en naranja	<ul style="list-style-type: none"> • Capacidad del filtro excedida 	<ul style="list-style-type: none"> - Sustituir el cartucho del filtro inmediatamente, véase la página 11
E9 parpadea de forma alterna con HI en el display	<ul style="list-style-type: none"> • El enfriador-carbonatador está sobrecalentado 	<ul style="list-style-type: none"> - Cerrar la empuñadura Blue®, asegurar la ventilación y reducir la temperatura ambiental a un máx. de 32 °C - Dejar que se enfríe el enfriador durante al menos 10-15 min. - Restablecer el mensaje de fallo E9, véase más abajo
EC en el display, la empuñadura Blue® parpadea en blanco	<ul style="list-style-type: none"> • La botella de CO₂ está casi vacía o no se puede reponer 	<ul style="list-style-type: none"> - Sustituya la botella de CO₂ o repóngala, véase la página 12
Sin dióxido de carbono en la posición Medium y Sparkling	<ul style="list-style-type: none"> • Vaciar la botella de CO₂ 	<ul style="list-style-type: none"> - Sustituya la botella de CO₂ o repóngala, véase la página 12
* Si surgiera un error del E1 al E7 tres veces o con mayor frecuencia, póngase en contacto con el servicio de postventa GROHE		

Servicio de aplicación Ondus

Fallo ?	Causa !	Solución ✓
El registro no es posible	<ul style="list-style-type: none"> No hay ninguna cuenta de GROHE disponible No se ha registrado ninguna cuenta de Google o Facebook 	<ul style="list-style-type: none"> Registrar con una cuenta de GROHE Registrar con una cuenta existente de Google o Facebook
El punto de acceso (WLAN) del enfriador GROHE Blue Home no está visible	<ul style="list-style-type: none"> El modo de configuración/punto de acceso no está activado 	<ul style="list-style-type: none"> Activar el WLAN del smartphone a fin de garantizar un acceso permanente a Internet. En caso de que solo aparezcan otras redes inalámbricas, póngase en contacto con el servicio de atención al cliente de GROHE.
Integración fallida	<ul style="list-style-type: none"> El enfriador GROHE Blue Home se encuentra fuera de la zona de recepción 	<ul style="list-style-type: none"> Cambiar la ubicación del rúter Utilizar un repetidor de WLAN

Restablecimiento del mensaje de error E9, de forma automática aprox. 20 minutos a un máximo de 32 °C o mediante la interrupción de la alimentación de tensión aprox. 30 segundos, en ambos casos tras la refrigeración.

- Dejar que el enfriador se enfríe durante al menos 10-15 min.

Si parpadea EE o el problema no puede solucionarse, interrumpir la alimentación de tensión del enfriador. Anotar el número de serie del enfriador-carbonatador indicado en la parte posterior del equipo y consultar a un instalador especializado o enviar un correo electrónico a la línea de atención de servicio técnico GROHE a la dirección **TechnicalSupport-HQ@grohe.com**.

El enfriador-carbonatador GROHE Blue solo puede ser reparado por el servicio de postventa de GROHE.

Medioambiente y reciclaje

Por motivos de higiene, no puede volver a procesar los cartuchos del filtro ya usados. Los cartuchos del filtro usados pueden desecharse sin peligro con la basura residual.

El enfriador-carbonatador es un equipo eléctrico sometido a obligaciones de devolución y recogida en muchos países. GROHE utiliza en todos los países relevantes los sistemas de recogida correspondientes.

Asegúrese al desechar que el equipo se guarda de manera segura y que el circuito de refrigeración no se haya dañado. El equipo contiene líquido refrigerante **inflamable**.



Los equipos con este marcado **no deben** desecharse con la basura doméstica, sino que **deben** eliminarse por separado de acuerdo con las normas de cada país.

Pure Freude an Wasser

GROHE
WAVES

- D**
& +49 571 3989 333
helpline@grohe.de
- A**
& +43 1 68060
info-at@grohe.com
- AUS**
& +(61) 1300 54945
grohe_australia@lixil.com
- B**
& +32 16 230660
info.be@grohe.com
- BG**
& +359 2 9719959
grohe-bulgaria@grohe.com
- BR**
& 0800 770 1222
falecom@grohe.com
- CAU**
& +99 412 497 09 74
info-az@grohe.com
- CDN**
& +1 888 6447643
info@grohe.ca
- CH**
& +41 44 877 73 00
info@grohe.ch
- CN**
& +86 4008811698
info.cn@grohe.com
- CY**
& +357 22 465200
info@grome.com
- CZ**
& +358 942 451 390
grohe-cz@grohe.com
- DK**
& +45 44 656800
grohe@grohe.fi
- E**
& +34 93 3368850
grohe@grohe.es
- EST**
& +372 6616354
grohe@grohe.ee
- F**
& +33 1 49972900
sav-fr@grohe.com
- FIN**
& +358 942 451 390
grohe@grohe.fi
- GB**
& +44 871 200 3414
info-uk@grohe.com
- GR**
& +30 210 2712908
nsapountzis@ath.forthnet.gr
- H**
& +36 1 2388045
info-hu@grohe.com
- HK**
& +852 2969 7067
info@grohe.hk
- I**
& +39 2 959401
info-it@grohe.com
- IND**
& +91 1800 102 4475
customercare.in@grohe.com
- IS**
& +354 515 4000
jonst@byko.is
- J**
& +81 3 32989730
info@grohe.co.jp
- KZ**
& +7 727 311 07 39
info-cac@grohe.com
- LT**
& +372 6616354
grohe@grohe.ee
- LV**
& +372 6616354
grohe@grohe.ee
- MAL**
info-malaysia@grohe.com
- MX**
& 01800 8391200
pregunta@grohe.com
- N**
& +47 22 072070
grohe@grohe.no
- NL**
& +31 79 3680133
vragen-nl@grohe.com
- NZ**
technicalenquiries@
patersontrading.co.nz
- P**
& +351 234 529620
commercial-pt@grohe.com
- PL**
& +48 22 5432640
biuro@grohe.com.pl
- RI**
& 0-800-1-046743
customercare-
indonesia@asia.lixil.com
- RO**
& +40 21 2125050
info-ro@grohe.com
- ROK**
& +82 2 1588 5903
info-singapore@grohe.com
- RP**
& +63 2 8938681
- RUS**
& +7 495 9819510
info@grohe.ru
- S**
& +46 771 141314
grohe@grohe.se
- SGP**
& +65 6311 3611
info-singapore@grohe.com
- SK**
& +420 277 004 190
grohe-cz@grohe.com
- T**
& +66 21681368
(Haco Group)
info@haco.co.th
- TR**
& +90 216 441 23 70
GroheTurkey@grome.com
- UA**
& +38 44 5375273
info-ua@grohe.com
- USA**
& +1 800 4447643
us-customerservice@grohe.com
- VN**
& +84 90 9694768
& +84 90 9375068
info-vietnam@grohe.com
- AL** **BiH** **HR** **KS**
ME **MK** **SLO** **SRB**
& +385 1 2911470
adria-hr@grohe.com
- Eastern Mediterranean,
Middle East - Africa
Area Sales Office:**
& +357 22 465200
info@grome.com
- IR** **OM** **UAE** **YEM**
& +971 4 3318070
grohedubai@grome.com
- Far East Area Sales Office:**
& +65 6311 3600
info@grohe.com.sg
- Latin America:**
& +52 818 3050626
pregunta@grohe.com

www.grohe.com

2016/09/28