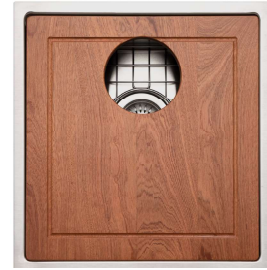


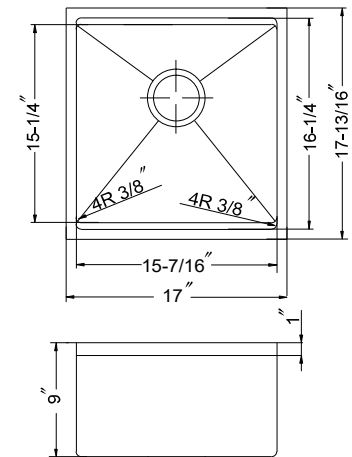
Rendezvous Collection
10mm Radius Undermount
Bar/Prep Bowl
 Sliding Platform System
Model : REN-16-1516B



FEATURES

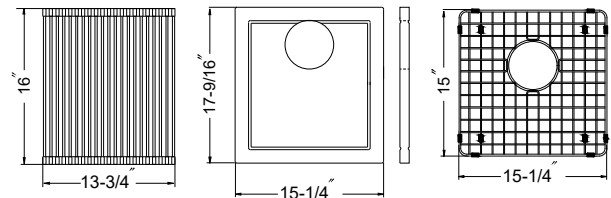
- Premium grade T-304 stainless steel
- Handmade sink with scored bottom
- 9" depth • 16 gauge
- TotalGuard+ Insulation over Sound Deadening Pads
- StoneShield Undercoating
- Brushed satin • Rear-set drain
- 3-1/2" drain opening
- Fits 21" sink base
- Supplied with cutout template, fasteners and instructions
- Includes : Wood Cutting Board, Multi-Purpose Roll-Up Mat, Bottom grid, Stainless Steel Basket Strainer.
- Lifetime Limited Warranty

REN-16-1516B



OPTIONAL ACCESSORIES

Bottom Grid: SWG-1717 Roll-Up Mat: ROL-1416
 Cutting Board : CUT-1717 Strainer: BAS-2000-SS



OVERALL DIMENSIONS	EACH BOWL	CUTOUT SIZE	PACKAGING*	WEIGHT*
17" x 17-13/16"	15-7/16" x 16-1/4"	See Template	1/20 pcs.	21/460 lbs.

*Standard packaging: Single boxed /Pallet of single boxed.
 All dimensions are in inches. Specifications subject to change without notice.

Project/Job name _____

Architect/Engineer _____

Contractor _____

Model	Qty

Notes _____

Installation profile

