

ADA Classic Collection

Undermount 50/50 Double Bowl Model CADA-3218DU



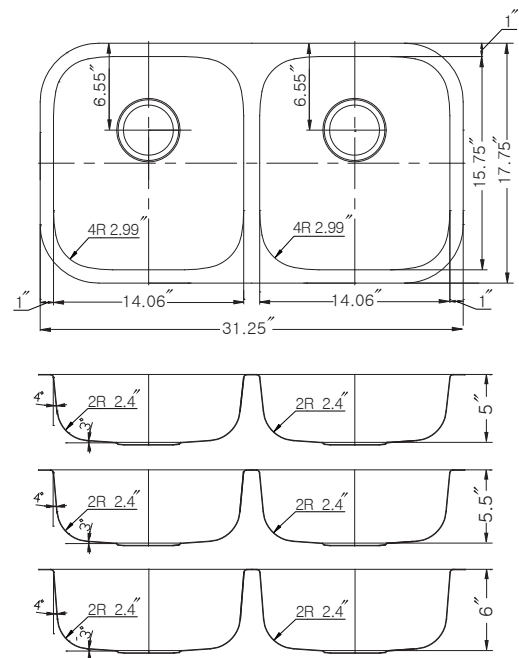
CADA-3218DU

FEATURES

- Premium grade T-304 stainless steel
- 5", 5.5", 6" depth
- 18 gauge
- StoneShield undercoating over Sound Deadening pad
- Lustrous satin with highlighted rim
- Fits 36" sink base
- 3-1/2" drain opening
- Supplied with cutout template, fasteners and instructions
- Complies with ASME A112.19.3-2008, cUPC®
- Lifetime Limited Warranty



ASME A112.19.3-2008



OPTIONAL ACCESSORIES

- Cutting Board : CUT-1517
- Strainer: BAS-2000-SS

OVERALL DIMENSIONS	EACH BOWL	CUTOUT SIZE	PACKAGING*	WEIGHT*
31.25" x 17.75"	14.06" x 15.75"	See Template	1/16/20 pcs.	18/328/320 lbs.

*Standard packaging: Single boxed /Pallet of single boxed/Pallet of bulk pack.
All dimensions are in inches. Specifications subject to change without notice.

Project/Job name _____

Architect/Engineer _____

Contractor _____

Model _____ Q'ty _____

Notes _____

Installation profile

