

ADA Revive Collection

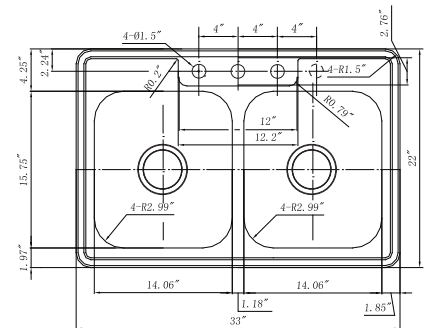
Topmount 50/50 Double Bowl Model TADA-3322DT



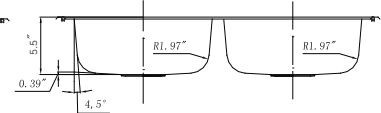
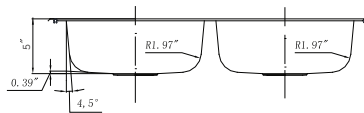
TADA-3322DT

FEATURES

- Premium grade T-304 stainless steel
- 5", 5.5", 6", 6.5" depth
- 18 gauge • 3 or 4 holes
- StoneShield undercoating over Sound Deadening pad
- Lustrous satin with highlighted rim
- Fits 36 sink base
- 3-1/2" drain opening
- Supplied with cutout template, fasteners and instructions
- Complies with ASME A112.19.3-2000, cUPC®
- Lifetime Limited Warranty



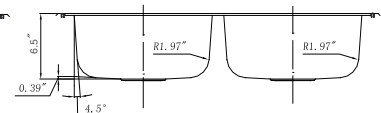
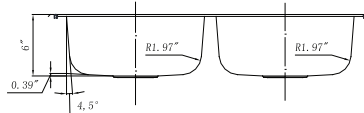
ASME A112.19.3-2008



OPTIONAL ACCESSORIES

Cutting Board : CUT-1517

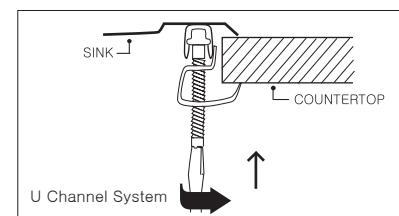
Strainer: BAS-2000-SS



OVERALL DIMENSIONS	EACH BOWL	CUTOUT SIZE	PACKAGING*	WEIGHT*
33" x 22"	14.06" x 15.75"	See Template	1/16/20 pcs.	19/344/340lbs.

*Standard packaging: Single boxed /Pallet of single boxed/Pallet of bulk pack.
All dimensions are in inches. Specifications subject to change without notice.

Installation profile



Project/Job name _____

Architect/Engineer _____

Contractor _____

Model _____ Q'ty _____

Notes _____