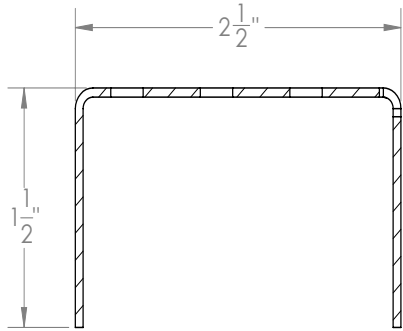


D 65 Specifications



D 65:

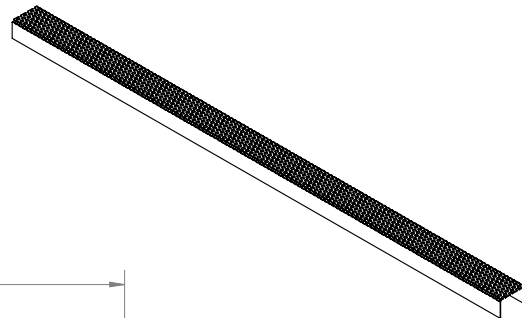
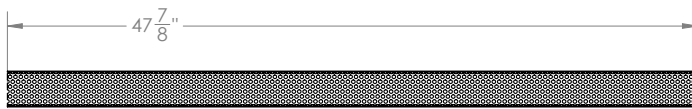
- Circle pattern perforated grate for S-DG 65
- 16 gauge 304L stainless steel

Models (Overall dimension):

- D 6548: 47-7/8" L x 2-1/2" W x 1-1/2" H
- D 6560: 59-7/8" L x 2-1/2" W x 1-1/2" H
- D 6596: 95-7/8" L x 2-1/2" W x 1-1/2" H

Finishes:

- Satin Stainless - SS
- Polished Stainless - PS
- Satin Bronze - SB
- Oil Rubbed Bronze - ORB
- Matte Black - BK



Infinity Drain
145 Dixon Avenue
Amityville, NY 11701
Phone: 516.767.6786
Fax: 516.740.3066
www.infinitydrain.com



NOTE: Installer must verify all rough-in dimensions prior to installation and consult local and national codes. Conformity and compliance to local and national codes are the responsibility of the installer.