

Oval Plate with Contempo Low Lever Thermostatic Valve with Short Peg Lever Built-in 2-Way Or 3-Way Diverter/Volume Controls (J-TH34-686 / J-TH34-687 / J-TH34-688 / J-TH34-689)



Model #: T8533-TRIM-



FEATURES:

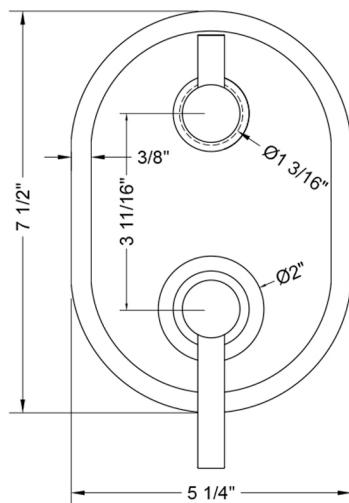
- All brass construction
- Bottom Trim handle contains temperature indicator in Fahrenheit so user can set water to desired temperature with no need to adjust further
- Top Trim handle turns the water on and off, controls the volume of the water, and diverts the water
- Requires rough valve J-TH34-686 for 2 functions, J-TH34-688 for 3 functions, J-TH34-687 for 2 shared functions, or J-TH34-689 for 3 shared functions

AVAILABLE FINISHES:

Polished Chrome (PCH)	Satin Chrome (SC)	Bronze Umber (BU)
Satin Nickel (SN)	Pewter (PEW)	Caramel Bronze (CB)
Polished Nickel (PN)	Antique Brass (AB)	Antique Copper (ACU)
Oil-Rubbed Bronze (ORB)	Polished Brass (PB)	Polished Copper (PCU)
Vintage Bronze (VB)	Satin Brass (SB)	Rose Gold (RG)
Matte Black (MBK)	Satin Gold (SG)	Polished Gold (PG)
Black Nickel (BKN)	Bombay Gold (BG)	Jewelers Gold (JG)
Europa Bronze (EB)	White (WH)	Sedona Beige (SDB)
Tristan Brass (TB)	Unlacquered Brass (ULB)	Satin Cooper (SCU)

SPECIFICATION DRAWING:

FRONT VIEW



SIDE VIEW

