

FEATURES

- Solid brass construction for durability and reliability
- Utilizes installation ring and flexible inlet connections for ease of installation
- Ceramic disc valves exceed industry longevity standards more than two times
- Compact three-function sprayhead provides spray, aerated flow, and pause functions at the touch of a button
- In-deck, single-handle design offers a streamline appearance
- Remote valve configuration allows the user to mount the faucet control in the preferred location
- 1.8 gal/min (6.8 l/min) flow rate
- Meets CalGreen requirements for kitchen faucets
- Complements the Quincy kitchen faucet collection

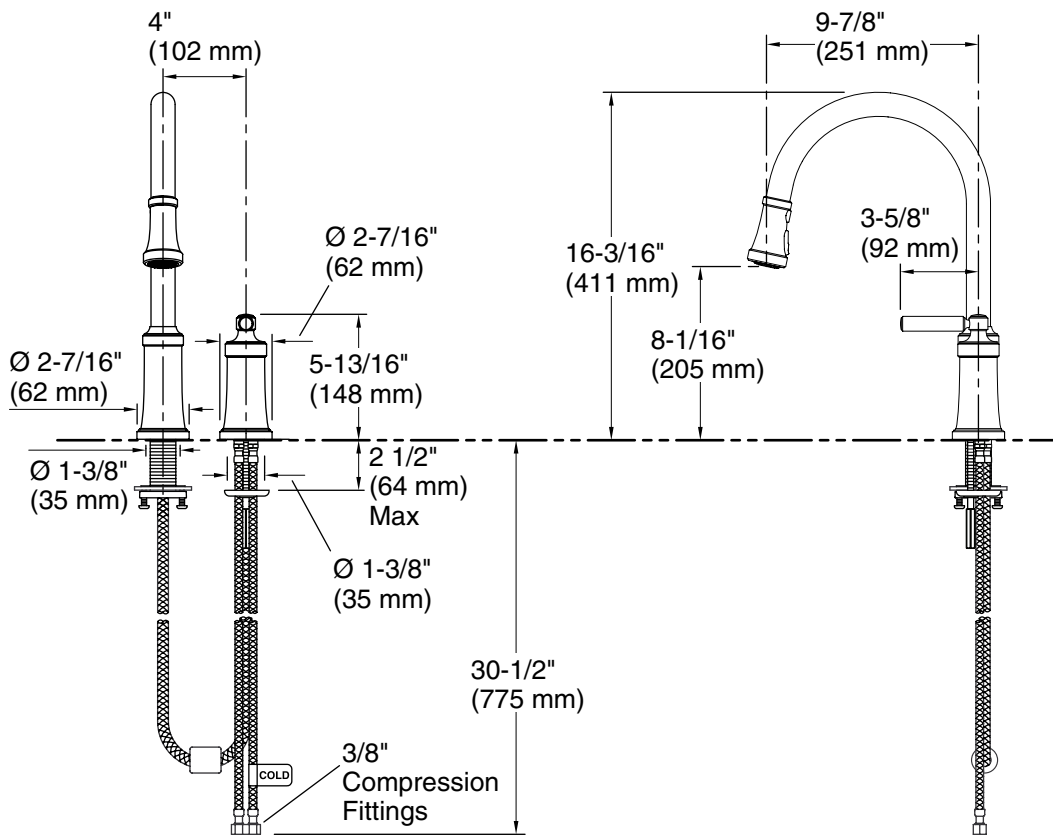
CODES/STANDARDS APPLICABLE

Specified model meets or exceeds the following:

- ASME A112.18.1/CSA B125.1
- NSF 61
- ADA
- ICC/ANSI A117.1
- Energy Policy Act of 1992
- California Energy Commission (CEC)
- All applicable US Federal and State material regulations

P25000

ADA



SPECIFIED MODEL

Model	Description	Finishes	
P25000-00	Quincy Pull-Down Kitchen Faucet	<input type="checkbox"/> CP Polished Chrome	<input type="checkbox"/> AD Nickel Silver
		<input type="checkbox"/> AG Brushed Nickel	<input type="checkbox"/> ULB Unlacquered Brass
Recommended Accessories			
P25015-00	Quincy Soap/Lotion Dispenser	<input type="checkbox"/> CP Polished Chrome	<input type="checkbox"/> AD Nickel Silver
		<input type="checkbox"/> AG Brushed Nickel	<input type="checkbox"/> ULB Unlacquered Brass

We reserve the right to make revisions without notice in the design of products or in packaging unless this right has specifically been waived at the time the order is accepted.