

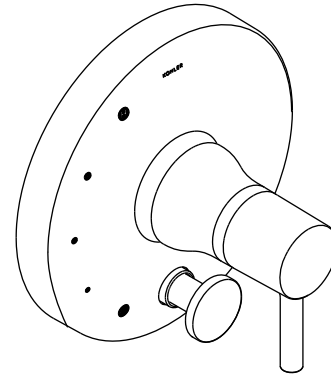
Features

- Metal construction
- Front seal plate assembly
- Handle assembly
- Available with push-button diverter [K-T8979-4]
- Requires a Rite-Temp® valve
- Complements Toobi™ Suite

Codes/Standards Applicable

Specified model meets or exceeds the following:

- ADA
- ICC/ANSI A117.1
- ASME A112.18.1/CSA B125.1
- ASSE 1016



Colors/Finishes

- CP: Polished Chrome
- Other: Refer to Price Book for additional colors/finishes

Specified Model

Model	Description	Colors/Finishes	
K-T8979-4	Valve trim with diverter button (shown)	<input type="checkbox"/> CP	<input type="checkbox"/> Other ____
K-T8981-4	Valve trim less diverter button	<input type="checkbox"/> CP	<input type="checkbox"/> Other ____

Required Accessories

K-304-*	Rite-Temp® pressure-balancing valve OR	<input type="checkbox"/> NA
K-2971-KS	HiFlow Rite-Temp valve with stops OR	<input type="checkbox"/> NA
K-11748-*	Rite-Temp valve with push-button diverter	<input type="checkbox"/> NA

* For a complete listing of all the Rite-Temp valves, refer to the individual valve Specification Sheet or Roughing-In Sheet.

Optional Accessories

1151968	Deep roughing-in kit for Rite-Temp valve	<input type="checkbox"/> CP	<input type="checkbox"/> Other ____
---------	--	-----------------------------	-------------------------------------

Product Specification

The valve trim shall be made of metal construction. Trim shall be available with push-button diverter [K-T8979-4]. Trim shall include front seal plate assembly and handle assembly. Trim shall require a Rite-Temp® valve. Trim shall complete the Toobi Suite. Trim shall be Kohler Model K-T____-4-____ and required Rite-Temp valve shall be K-____-____-NA.

TOOBI™ RITE-TEMP®

Installation Notes

Install the product according to the installation guide.

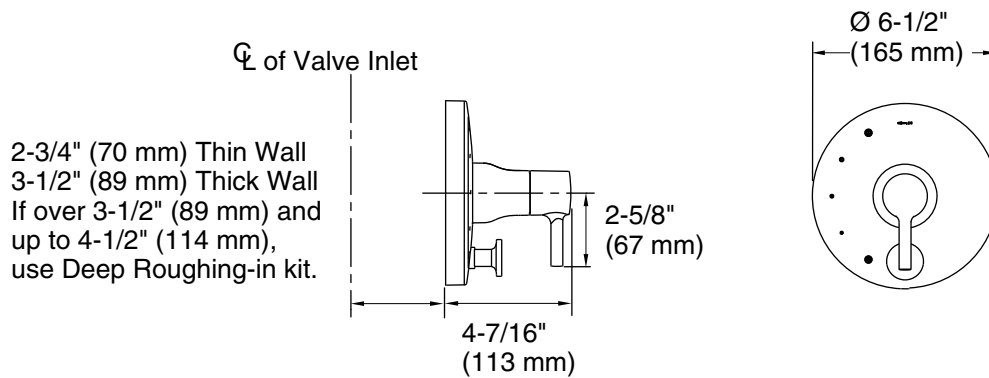
Install the Rite-Temp valve according to the installation guide.

NOTICE: Risk of product damage. For K-2971-KS valve: 1-5/8" (41 mm) screws (included) must be used. 2-3/8" (60 mm) screws will damage the valve.

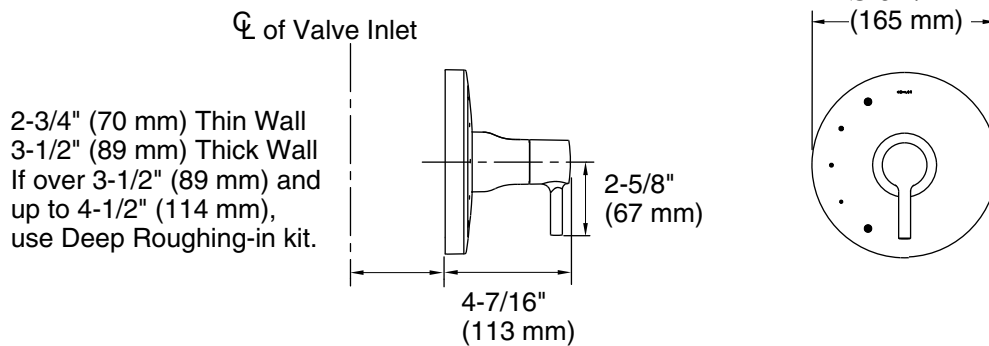
Avoid cross-flow conditions. Do not install a shut-off device on either valve outlet.

Cap the shower outlet if the deck-mounted spout, diverter, or handshower is connected to the spout outlet.

Install a 7" (178 mm) to 18" (457 mm) straight pipe or straight tube with single elbow between the valve and the wall-mount spout.



K-T8979-4



K-T8981-4

Product Diagram