

Features

- 60"L x 36"W x 20"H
- A builder favorite designed for quick and easy installation
- Three-wall alcove installation
- Designed for one-person bathing
- Constructed of acrylic
- Includes integral apron and flange to simplify installation
- Textured bottom surface

Additional Hydrotherapy Options

- Soaking Bath - K-1242-LA
- Soaking Bath + Bask heated surface - K-1242-LAW
- BubbleMassage air bath - K-1239-GLA
- BubbleMassage air bath + Bask heated surface - K-1239-GLAW
- VibrAcoustic - K-1239-VBLA
- VibrAcoustic + Bask heated surface - K-1239-VBLAW
- Whirlpool - K-1239-LA
- Whirlpool + heater - K-1239-HL
- Whirlpool + Bask heated surface - K-1239-LAW

Recommended Products/Accessories

- K-7161-AF Bath Drain
- K-37380 30" Rough-in Cable Bath Drain
- K-37383 30" Rough-in Cable Bath Drain
- K-37386 rough-in cable drain, PVC, 30" cable



Codes/Standards






CSA B45.5/IAPMO Z124
ASTM E162
ASTM E662

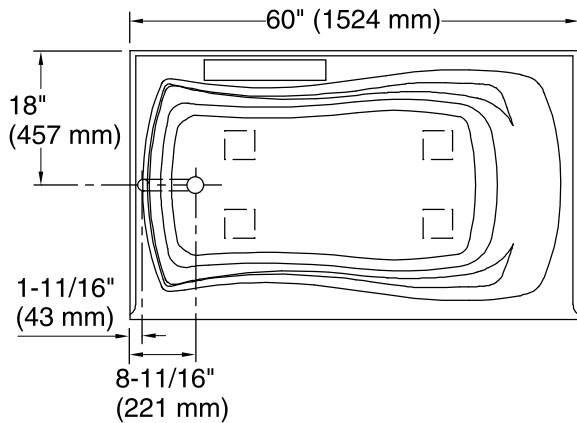
KOHLER® Plastic Baths and Receptors Lifetime Limited Warranty

See website for detailed warranty information.

Available Colors/Finishes

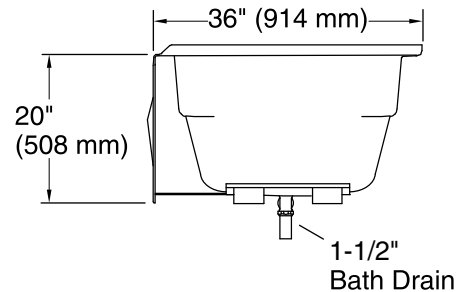
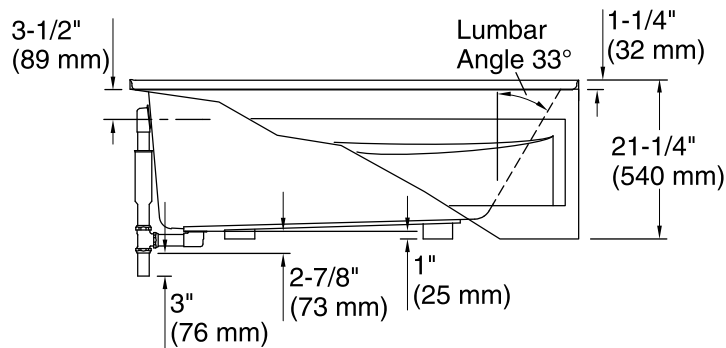
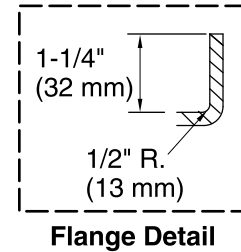
Color tiles intended for reference only.

Color	Code	Description
	0	White
	96	Biscuit
	47	Almond
	NY	Dune
	G9	Sandbar



No changes in measurements if connected with drain illustrated. (K-7161-AF)

 Recommended Faucet Location



Technical Information

All product dimensions are nominal.

Installation:	Three-wall alcove
Drain location:	Left
Basin area, bottom:	46" x 24" (1168 mm x 610 mm)
Basin area, top:	54" x 27" (1372 mm x 686 mm)
Weight:	62 lbs (28.1 kg)
Minimum floor load:	41 lbs/ft ² (200.2 kg/m ²)
Water depth:	14" (356 mm)
Water capacity:	63 gal (238.5 L)
Minimum flat for door:	2" (50 mm)

Notes

Measure your actual product for rough-in details. Install this product according to the installation instructions.

The hot water supply should be 70% of the capacity of the bath or greater. Installations will vary.

If installing a rim-mount faucet, make sure there is no interference above or below the deck before drilling any holes.