

### Features

- Full-assembly drain includes grid, brass throat and cast iron drain body
- Removable round-shaped grid plate
- Reversible collar accommodates a range of tile thicknesses
- 3" cast iron drain body inlet to fit 2" and 3" metal connection
- Brass construction drain throat

### Material

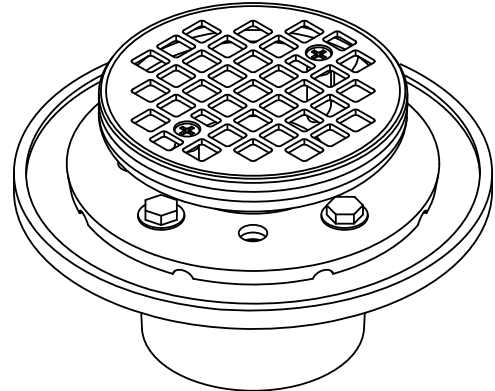
- KOHLER finishes resist corrosion and tarnishing

### Installation

- Through-the-floor tile-in installation

### Recommended Products/Accessories

- K-23726 Drain treatment
- K-23723 Faucet cleaner



### Codes/Standards



ASME A112.18.2/CSA B125.2

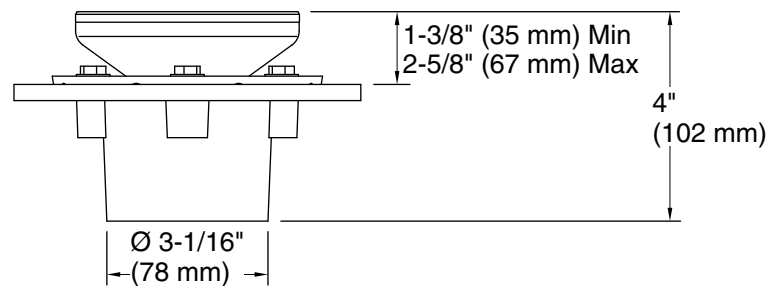
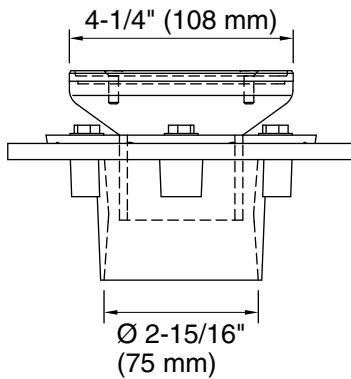
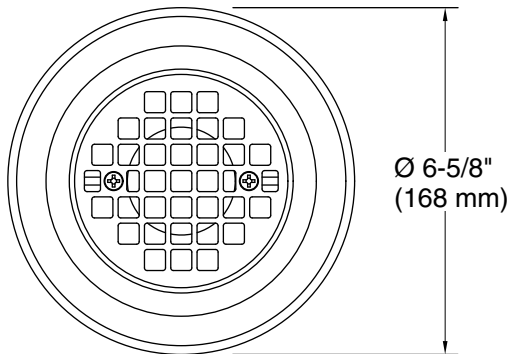
### KOHLER<sup>®</sup> One-Year Limited Warranty

See website for detailed warranty information.

### Available Colors/Finishes

*Color tiles intended for reference only.*

Color	Code	Description
	CP	Polished Chrome
	BN	Vibrant <sup>®</sup> Brushed Nickel



**Technical Information**

All product dimensions are nominal.

Drain included: Yes

**Notes**

Install this product according to the installation instructions.