

### Features

- 1-1/2" diameter connection.
- Includes 4" tailpiece.

### Material

- Premium metal construction.

### Installation

- Removable stainless steel basket strainer.
- Intended for sinks with standard 3-1/2" (89 mm) to 4" (102 mm) outlet.



### Codes/Standards

None Applicable


### KOHLER® One-Year Limited Warranty

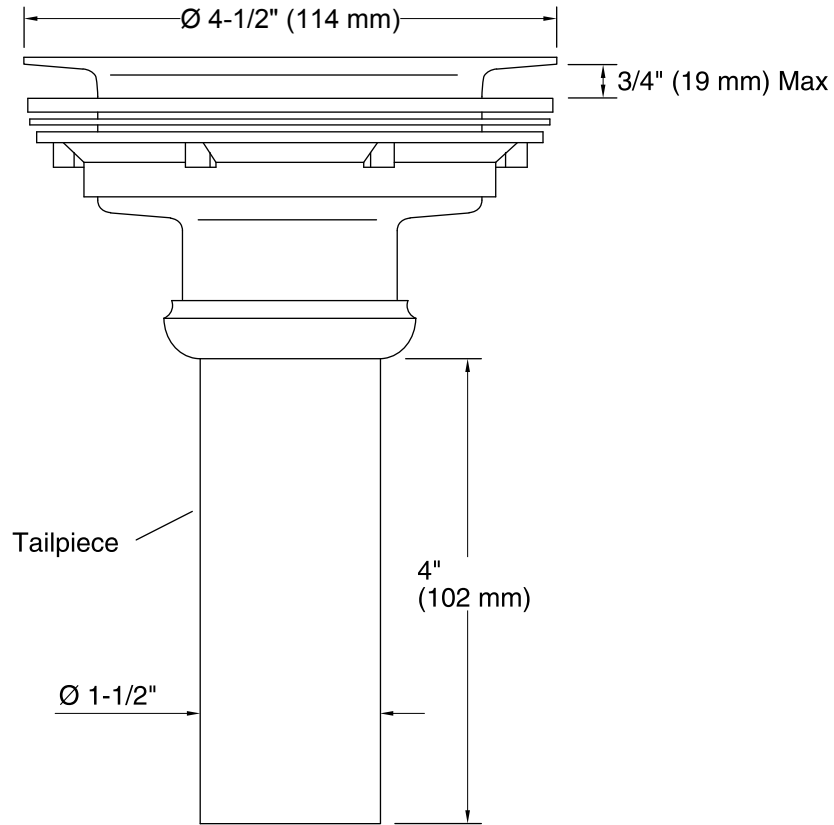
See website for detailed warranty information.

### Available Colors/Finishes

*Color tiles intended for reference only.*

| Color | Code | Description |
|-------|------|-------------|
|-------|------|-------------|

|  |    |                 |
|--|----|-----------------|
|  | CP | Polished Chrome |
|--|----|-----------------|



**Technical Information**

All product dimensions are nominal.

**Notes**

Install this product according to the installation guide.