

### Features

- Single handle controls both on/off activation and temperature settings.
- 8-3/4" (222 mm) stationary spout reach.
- 1.2 gpm (4.5 l/min) maximum flow rate at 60 psi (4.14 bar).
- KOHLER® ceramic disc valves exceed industry longevity standards, ensuring durable performance for life.
- Coordinates with other products in the Avid collection.

### Material

- Premium metal construction for durability and reliability.
- KOHLER finishes resist corrosion and tarnishing.

### Installation

- Wall-mount.

### Optional Products/Accessories

K-7107 Decorative Drain  
K-7108 Decorative Drain  
K-7114 Pop-Up Drain  
K-7114-A Pop-Up Drain  
K-7124 Pop-Up Clicker Drain  
K-7124-A Pop-Up Clicker Drain  
K-7127 Drain  
K-7127-A Drain  
K-7129 Drain  
K-7129-A Drain

### Included Components

Additional Components:  
1322337 Single-control wall-mount valve



ADA CSA B651 OBC

### Codes/Standards



ASME A112.18.1/CSA B125.1  
NSF/ANSI 61  
NSF/ANSI 372  
All applicable US Federal and State material regulations  
DOE - Energy Policy Act 1992  
EPA WaterSense®  
California Energy Commission (CEC)  
ADA  
ICC/ANSI A117.1  
CSA B651  
OBC

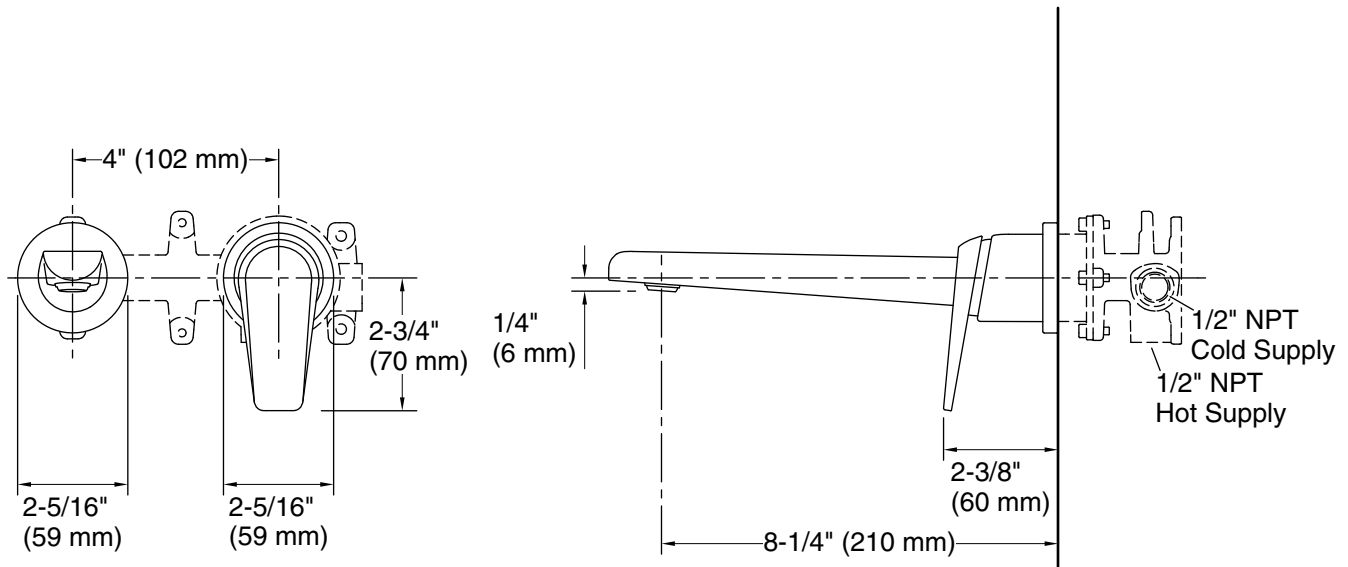
### KOHLER® One-Year Limited Warranty

See website for detailed warranty information.

### Available Colors/Finishes

*Color tiles intended for reference only.*

Color	Code	Description
	CP	Polished Chrome
	BN	Vibrant® Brushed Nickel



### Technical Information

All product dimensions are nominal.

#### Faucet:

Flow rate: 1.2 gal/min (4.5 l/min)

Pressure: 60 psi (4.1 bar)

Valve body: Cast brass

Drain included: No

#### Spout:

Spout reach: 8-1/4" (210 mm)

### Notes

Install this product according to the installation instructions.

ADA, OBC, CSA B651 compliant when installed to the specific requirements of these regulations.