

Cigno Shower Rail Item #1570

Features:

- Wall-mount round rail with hook for hand-held shower head
- Lever to adjust height and direction of hook
- Shower head and intake sold separately

Recommended Accessories:

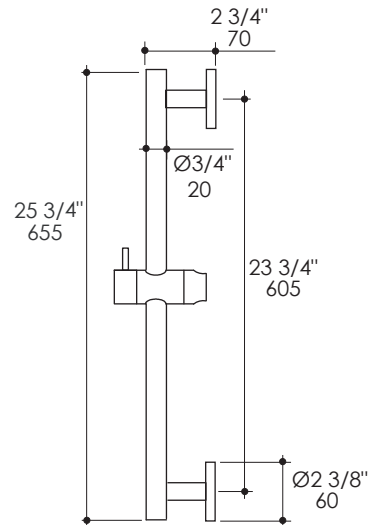
- Item #406: Hand-held shower head with 59" flexible hose
- Item #1573A: Water intake



Finish Options:

- CR - Polished Chrome
- PN - Polished Nickel
- NI - Brushed Nickel
- BG - Brushed Gold
- 44 - Matte Black

Product Specifications:



Notes:

Drawings provided herein are meant to give the user an idea of the product and are not made to scale. The size in inches is rounded up to the nearest 1/16".

LACAVA is committed to the highest level of customer service. Please feel free to contact us at 1-888-522-2823 (toll free) or by email at info@lacava.com for technical assistance or any general inquiries.

Rev. 05-17-2017