



Push Connect® Brass FIP Reducing Adapters

Product Specifications

MAINLINE®

PRODUCT FEATURES

- Forged Lead Free* Brass
- Maximum Working Pressure: 200 PSI
- Maximum Temperature Rating: 200° F
- Compatible with Copper, CPVC, PEX & PE-RT
- Replaceable O-Ring Seal Design
- Removable and Reusable
- Push to Connect
- Full Flow
- Available with Pre-Inserted Stiffener

APPROVED APPLICATIONS

- Plumbing
- Heating
- Irrigation
- Underground
- Hydronic Heating
- Behind Walls without Access Panel

NOTE: When using PEX, a tube stiffener should be inserted into the PEX tubing end prior to insertion into the fitting.

MATERIALS & SPECIFICATIONS

#	Component	Material
1	Body	Lead Free Brass
2	Seat Ring	POM
3	Push Ring	POM
4	Grip ring	Stainless Steel
5	O-Ring Seal	EPDM70

DIMENSIONS

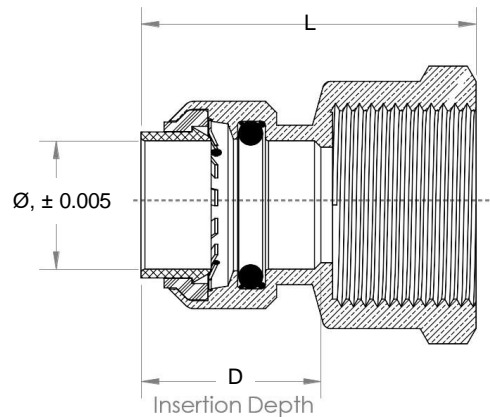
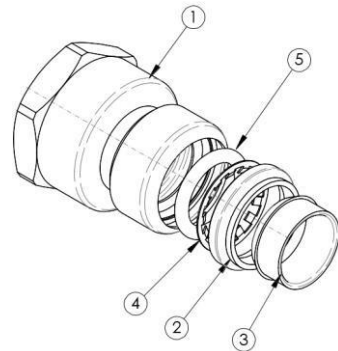
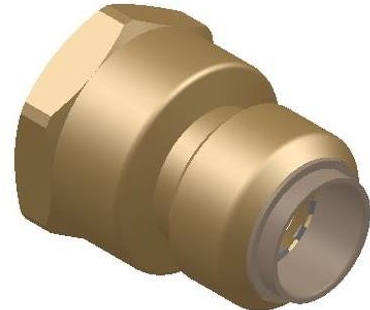
#	Ø	D	L
MLU070LF	??	??	??
MLU068LF	0.64	1	1.69
MLU8322FLF	??	??	??
MLU070LF-S	??	??	??
MLU068LF-S	0.64	1	1.69
MLU8322LF-S	??	??	??

✓To Submit	Part #	Size
	MLU070LF	3/8" x 1/2"
	MLU068LF	3/4" x 1/2"
	MLU8322FLF	1" x 3/4"
	MLU070LF-S	3/8" x 1/2" w/ Stiffener
	MLU068LF-S	3/4" x 1/2" w/ Stiffener
	MLU8322LF-S	1" x 3/4" w/ Stiffener

Warranty

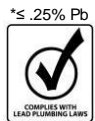
See warranty information for more details.

All dimensions listed are nominal. MAINLINE® reserves the right to make product and material changes at any time without notice.



FORCES FOR MECHANICAL SEPARATION TEST

Nominal Size	Longitudinal (Pull) Test		
	Inches	mm	Lbf
1/2	13	150	667
3/4	19	275	1223.2



Contact your sales representative for more information or visit our website at mainlinecollection.com