

Milano - 48" Double Bowl

Specification & Installation Guide

Features

- Free Standing 48" vanity : 24-3/8"(620mm)H x 18"(458mm)D x 47-5/8" (1210mm)W
- Furniture grade plywood layered with solid wood veneer and protected with several coats of polyurethane (No particle board or MDF used).
- Matching finish inside out
- Two fully adjustable drawers with full-extension soft-close European hardware.
- Bottom drawer includes adjustable tempered glass dividers
- Feet option: 4 L-Feet or 2 S-Feet in Polished Chrome or Brushed Nickel finish.

Colors/Finishes

- Ash Grey (AG)
- Glossy White (GW)
- Walnut (WA)

Top/Basin options

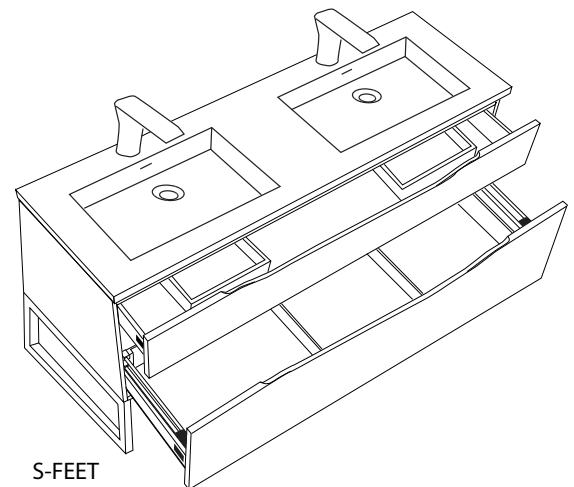
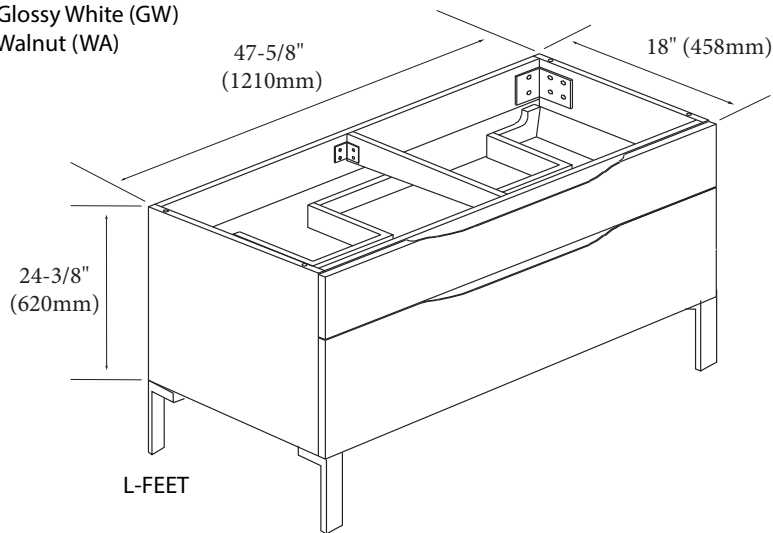
- White, Soft Grey or White Carrara Quartzstone™ top & White ceramic basin
- Glossy White X-Stone top/basin
- Glossy or Matte White X-Stone flat countertop

Package Dimensions

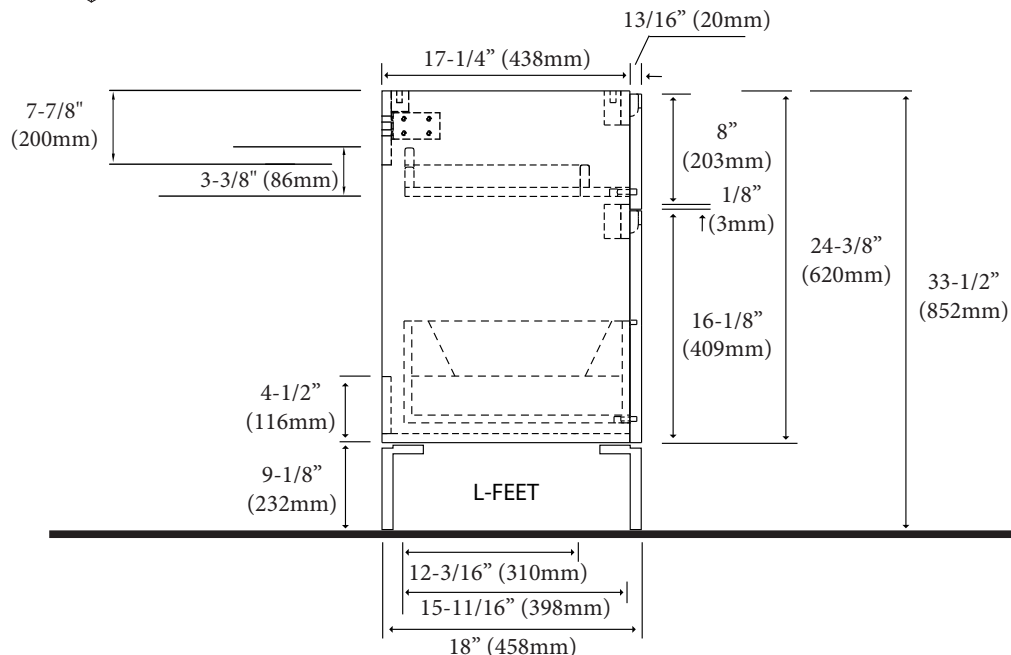
52" x 22" x 27"

Weight

180 lbs. / 86.4 kgs



SIDE VIEW



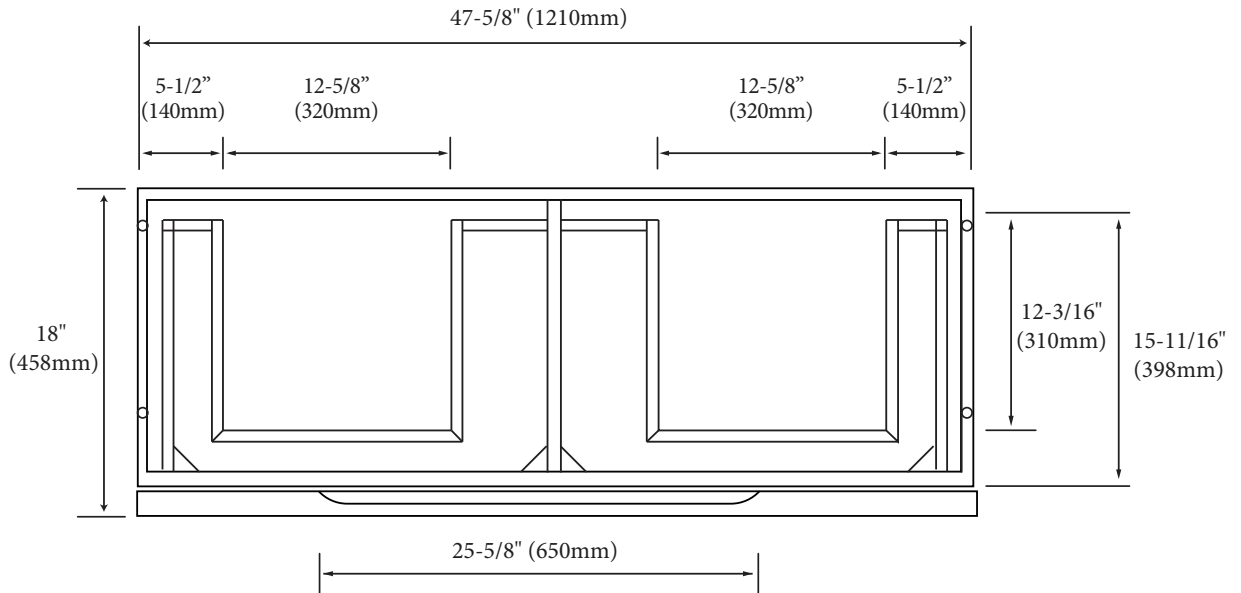
For clarification, please contact Madeli Customer Care at (800)-819-6988 or (305)-718-8817 Ext. 1

All dimensions are approximate and subject to standard tolerance. Specifications subject to change without prior notice.

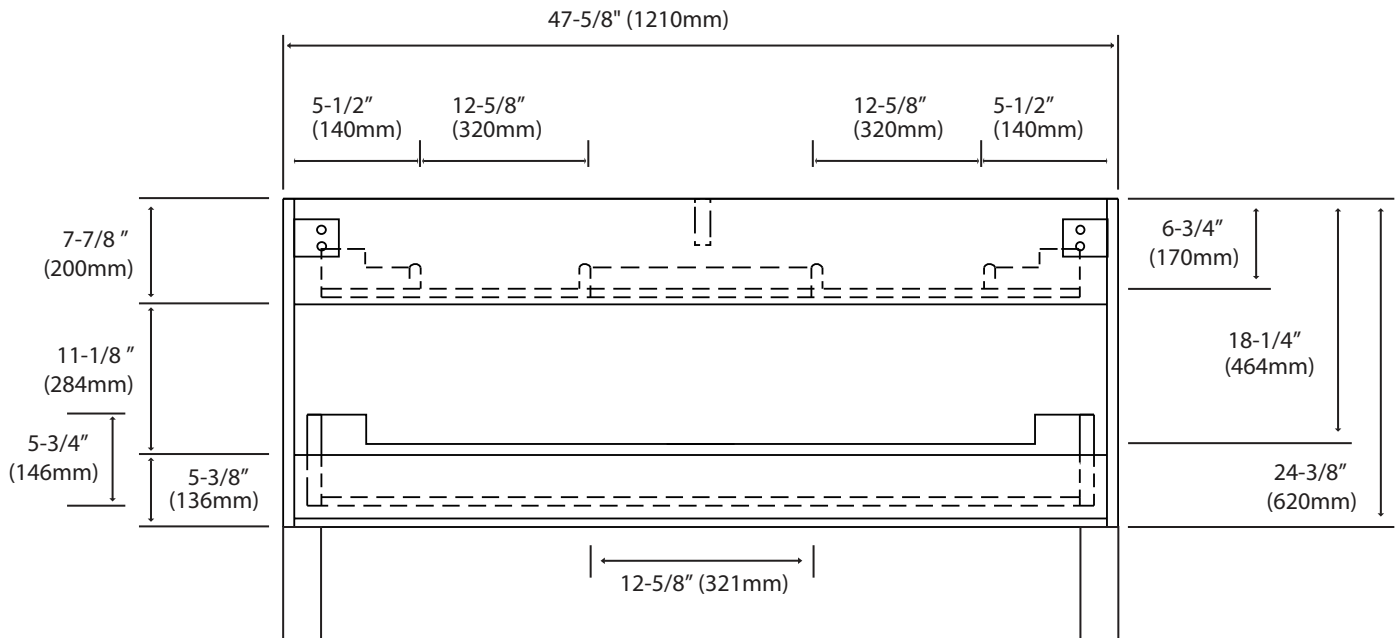
Milano - 48" Double Bowl

Specification & Installation Guide

TOP VIEW



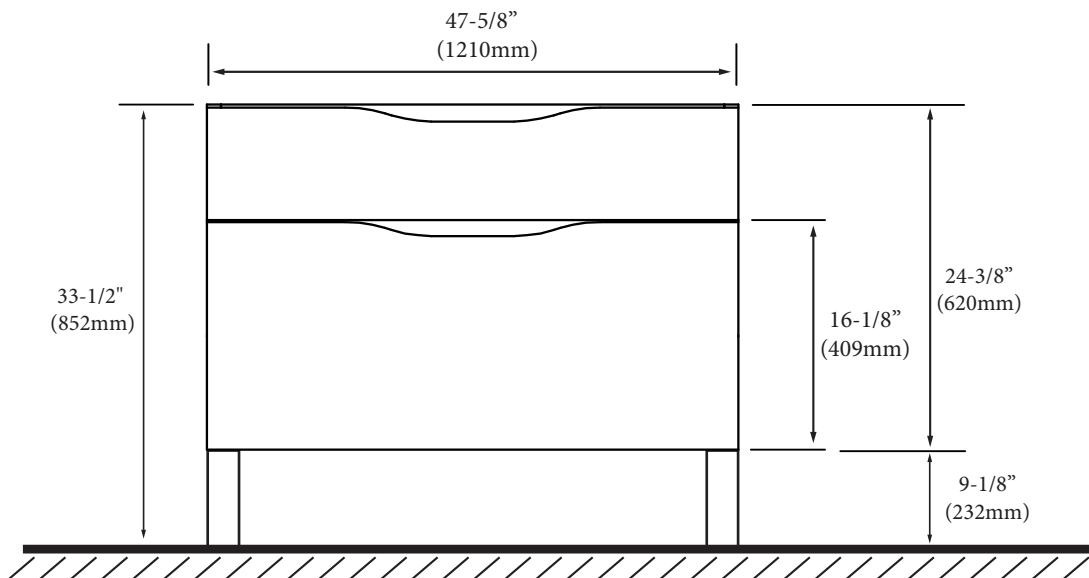
BACK VIEW



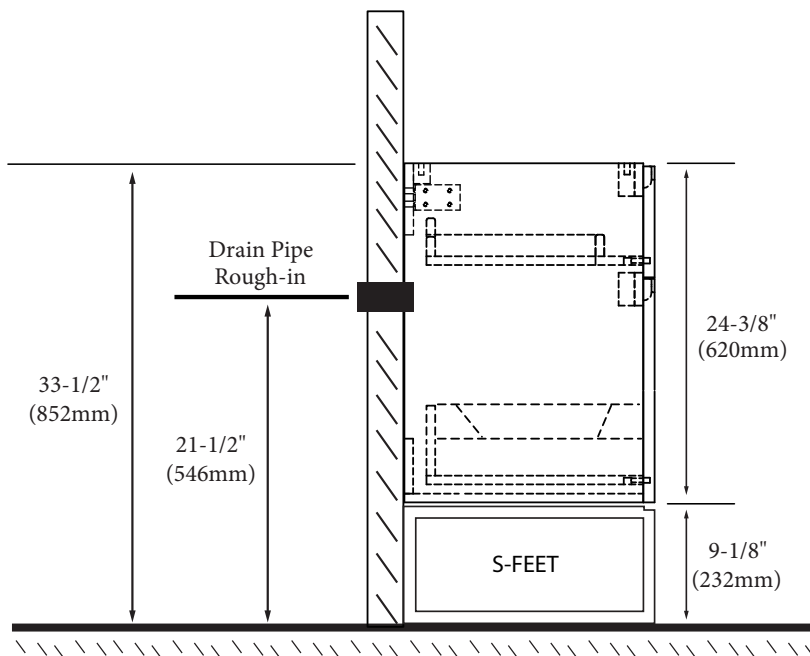
Milano - 48" Double Bowl

Specification & Installation Guide

FRONT VIEW



ROUGH-IN DIMENSIONS



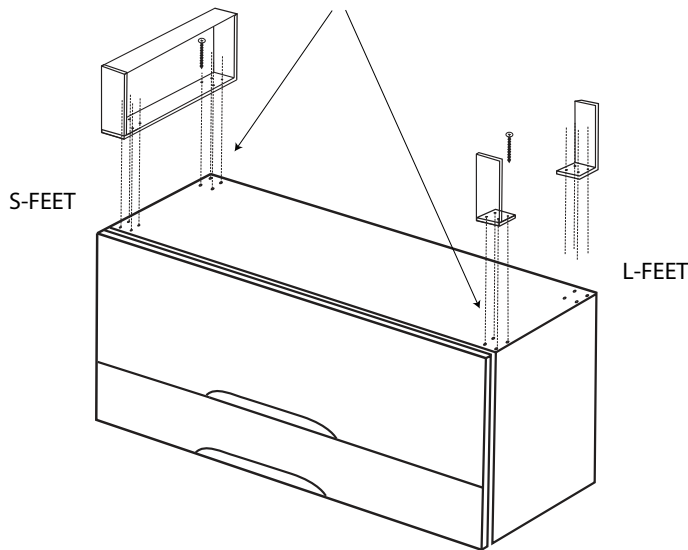
Milano - 48" Double Bowl

Specification & Installation Guide

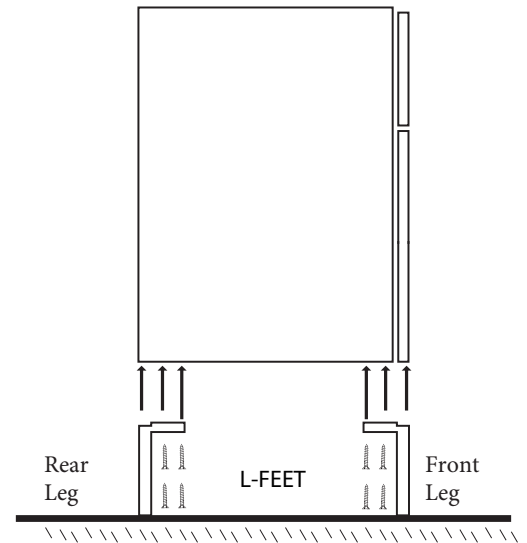
INSTALLATION INSTRUCTIONS

1. Install feet

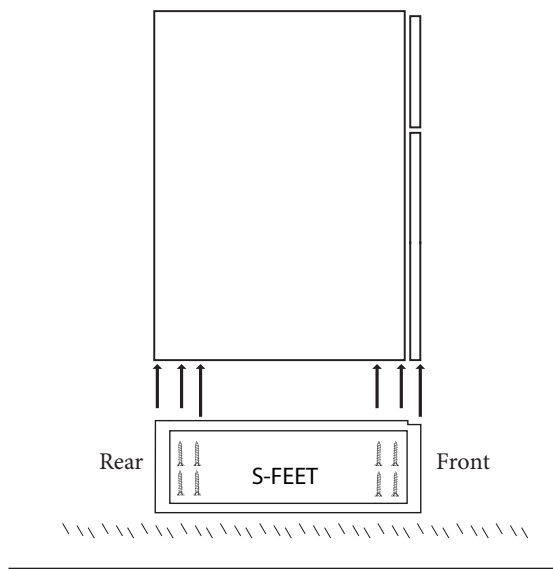
1. Place feet in indicated positions.
2. Mark screw locations.
3. Pre-drill holes with 5/64, 3/32 or 7/64 drill bit about 1/2" deep.
4. **DO NOT OVER TIGHTEN THE SCREWS. DOING SO WILL SPLIT THE WOOD SIDE PANEL.**
5. If using a regular battery drill, set clutch to minimum and increase setting as needed.
6. **DO NOT USE AN IMPACT DRILL. IT WILL SPLIT THE WOOD SIDE PANEL.**



2. L- Feet installation



3. S- Feet installation



4. Install countertop with Silicone

