

# Danika™ Technical Specification

## Towel Ring

BH2986

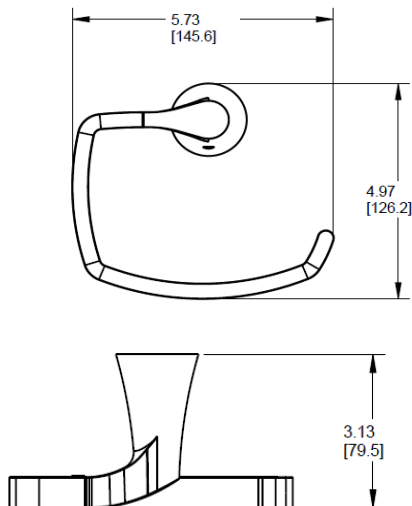
### Stock Numbers:

- **BH2986BN – Towel Ring**  
Brushed Nickel Finish

### Materials:

Towel Ring is constructed of zinc.

### Dimensions:



### Installation Instructions:

- 1) Position the mounting template on the wall in the desired location.
- 2) Using a level, align the template and tape it to the wall.
- 3) Drill two ¼" holes at each mounting post location that corresponds to your product. (We recommend using the horizontal holes for drywall installation).
- 4) Remove the template from the wall.
- 5) Lightly tap anchors until flush with the wall.
- 6) Remove mounting posts from the product assemblies by loosening each setscrew.
- 7) One at a time, place each mounting post over anchors (notch facing downward) and insert screws through post into anchors.
- 8) Tighten screws.

### Cleaning Instructions:

To preserve the fine finish of this product, clean only with a soft damp cloth. Dry well. Do not use commercial or abrasive cleaners.

**Stock Number:** BH2986 Towel Ring

 **MOEN**  
Buy it for looks. Buy it for life.®

25300 AL MOEN DRIVE • NORTH OLMSDED, OH 44070  
CORPORATE HEADQUARTERS: (800) 321-8809 • FAX: (800) 848-6636  
INTERNATIONAL: (440) 962-2000 • FAX: (440) 962-2726  
CUSTOMER SERVICE (USA): 800-882-0116 • FAX: (888) 379-2720  
WWW.MOEN.COM  
© 2015 Moen Incorporated. Moen is a registered trademark and Danika is a trademark of Moen Incorporated. All rights reserved.