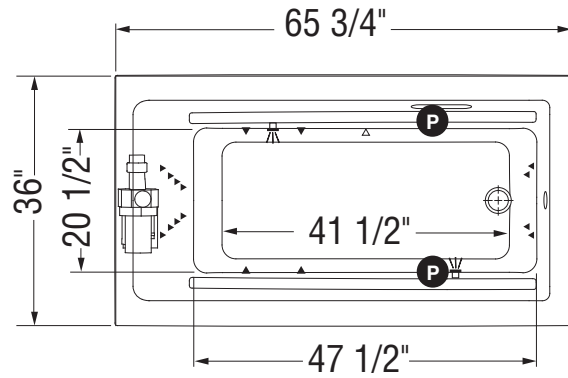
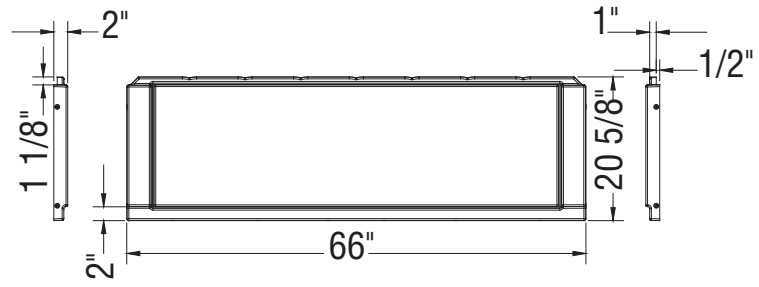
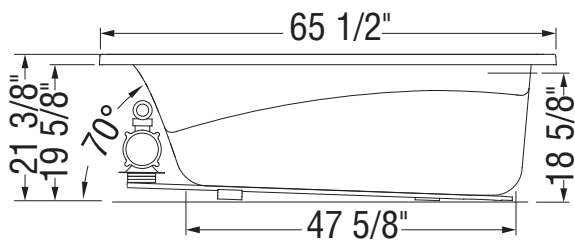
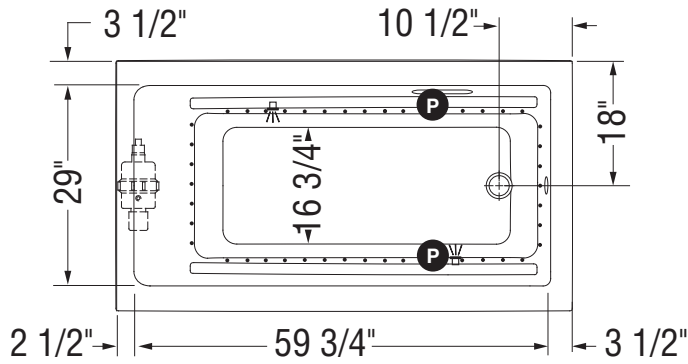


WHIRLPOOL SYSTEM



AIR SYSTEM



- (P): Indicates optional grab bar positioning
 - (▲): Indicates whirlpool jets positioning
 - (△): Indicates suction positioning
 - (•): Indicates airjets positioning
 - (☼): Indicates chromatherapy light positioning
- Bathtub base includes anti-vibration Neutra-Phone leg supports (not shown).
All dimensions are approximate. Structure measurements must be verified against the unit to ensure proper fit.