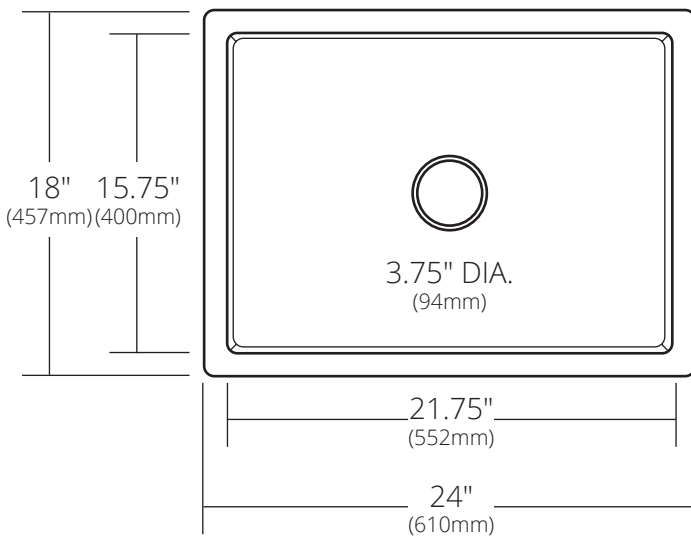


SPECIFICATIONS

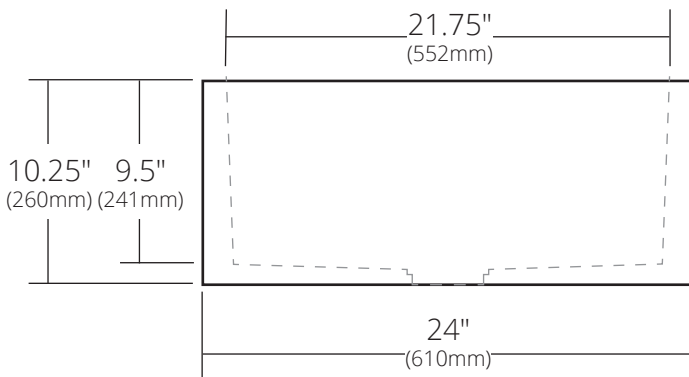
FARMHOUSE 2418

NativeStone® Collection

TOP VIEW



FRONT VIEW



NSK2418-A Ash
 NSK2418-C Charcoal
 NSK2418-E Earth
 NSK2418-P Pearl
 NSK2418-S Slate

PRODUCT DETAILS

- 24" x 18" x 10.25" OD (610mm x 457mm x 260mm)
- 21.75" x 15.75" x 9.5" ID (552mm x 400mm x 241mm)
- 3.75" (94mm) drain opening
- Handcrafted from sustainable NativeStone
- Sealed with NativeStone Shield™

INSTALLATION

- Undermount or Apron Front

COORDINATING PRODUCTS

- Drains: DR320 or DR340
- Bottom Grid: GR2014
- UK1426 Undermount Kit

STANDARDS COMPLIANCE

- UPC/cUPC compliant

IMPORTANT

Do NOT use tape or other adhesives on NativeStone as it may remove the sealer.

Due to the handcrafted nature of this product, it will vary in finish, texture, and other details. Dimensions may vary up to ¼" (6mm). We strongly recommend waiting for the actual product before making any installation cuts.