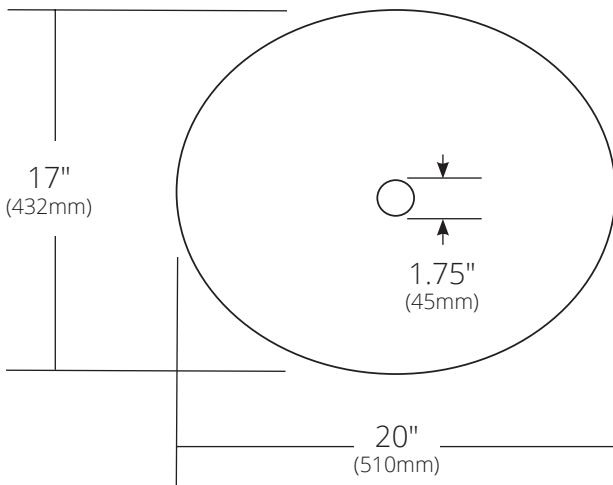


SPECIFICATIONS

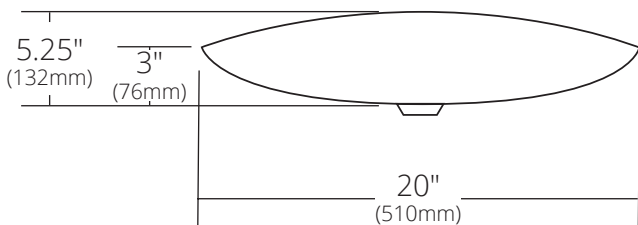
SORRENTO

Murano Collection

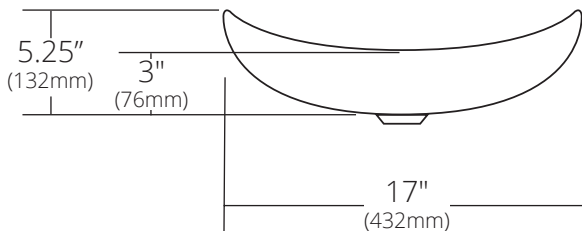
TOP VIEW



FRONT VIEW



SIDE VIEW



Shown in Bianco

- MG2017-AE Abalone
- MG2017-BO Bianco
- MG2017-BR Beachcomber
- MG2017-MA Marina
- MG2017-SY Seaspray

PRODUCT DETAILS

- 20" x 17" x 5.25" OD (510mm x 432mm x 132mm)
- 19.5" x 16.5" x 5" OD (495mm x 419mm x 127mm)
- Handcrafted, Certified Murano Glass
- 1.75" (45mm) drain opening

INSTALLATION

- Vessel
- **Note:** 3.25" vessel cutout required for countertop (*larger than standard*)

COORDINATING PRODUCTS

- Drains: DR120, DR130 or DR150
- Vanity tops with vessel cutout

STANDARDS COMPLIANCE

- UPC/cUPC compliant

IMPORTANT

Due to the handcrafted nature of this product, it will vary in finish, texture, and other details. Dimensions may vary up to 1/2" (13mm).