

NEWPORT BATH

Drain Body **278P-01**

Features

- PVC construction
- 2" IPS Inlet
- 2" Solvent Weld Outlet
- Intended for use with Newport Brass Square Shower Drain Throat Model 277-01

Codes / Standards Compliance

Meets or exceeds the following at date of manufacture:

- ASME A112.18.2-2011/CSA B125.2-11
- IAPMO/cUPC
- All applicable US Federal and State material regulations



Colors / Finishes

- NA: None

Specified Model

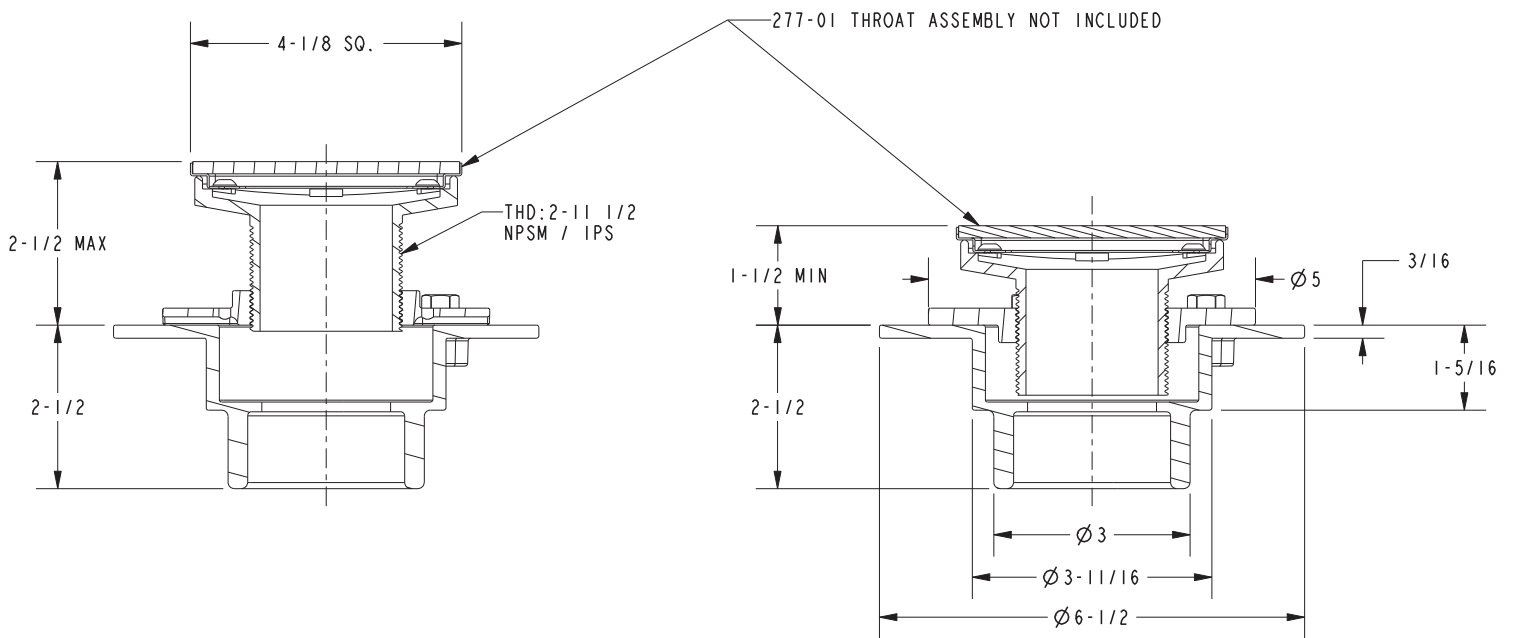
Model	Description	Colors Finishes
278P-01	Drain Body	<input type="checkbox"/> NA

Product Specification: Add size designator and "Color / Finish" suffix to Model number, below.

The Shower Drain Body shall be made of PVC construction. Product shall incorporate a 2" IPS inlet and 2" solvent weld outlet. Shower Drain Body shall be Newport Brass Model 278P-01 and Shower Drain Throat shall be Newport Brass Model 277-01.

278P-01

PRODUCT DIMENSIONS *(Units are in inches)*



Newport Bath Drain Body 278P-01