

# ALVESTON

## Toilet Tissue Holder **890-1510**

### Features

- Solid brass construction
- Single-post, open roller design
- Complements Alveston product series

### Codes / Standards Compliance

Meets or exceeds the following at date of manufacture:

- All applicable US Federal and State material regulations

### Colors / Finishes

- 10B: Oil Rubbed Bronze
  - 15: Polished Nickel
  - 15S: Satin Nickel - PVD
  - 26: Polished Chrome
- Other: Refer to the Newport Brass catalog for additional color/finish options.



### Specified Model

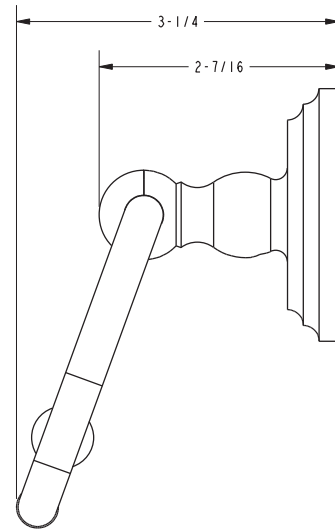
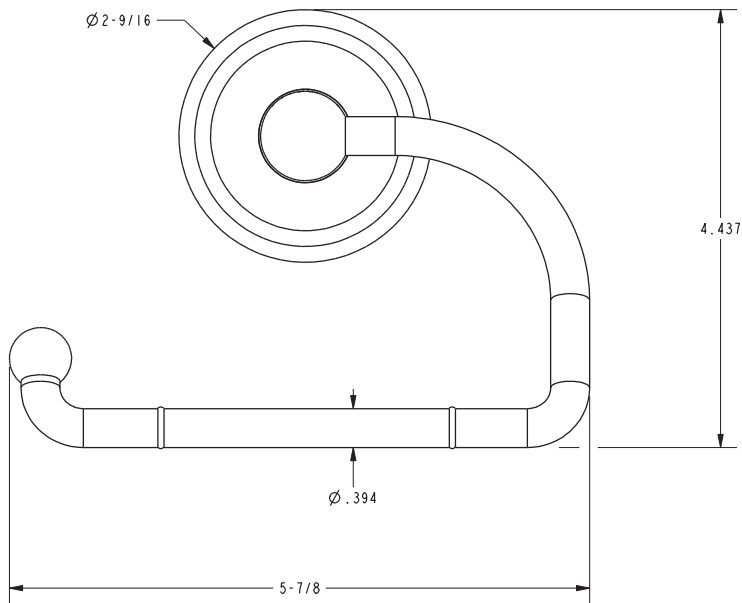
Model	Description	Colors   Finishes				
890-1510	Open Toilet Tissue Holder	<input type="checkbox"/> 10B	<input type="checkbox"/> 15	<input type="checkbox"/> 15S	<input type="checkbox"/> 26	<input type="checkbox"/> Other

### Product Specification Add "Color / Finish" suffix to Model number, below.

The Toilet Tissue Holder shall be made of solid brass construction and incorporate a single-post, open roller design. Toilet Tissue Holder shall complement Newport Brass Alveston product series. Toilet Tissue Holder shall be Newport Brass Model 890-1510/\_\_\_\_\_.

# 890-1510

## PRODUCT DIMENSIONS *(Units are in inches)*



### Alveston Toilet Tissue Holder 890-1510