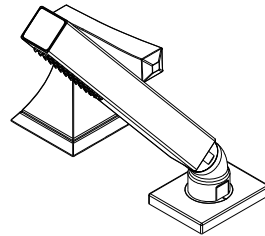
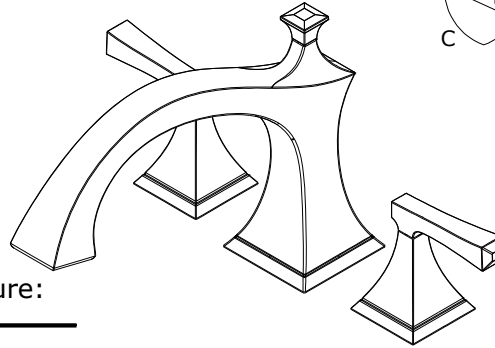


### Features

### ROMAN TUB WITH HANDSHOWER DECK TRIM

# 3-2577

- Solid brass construction
- 4.37" (11.1 cm) spout height at outlet
- 9.29" (23.6 cm) spout reach (c-c)
- Diverter valve and hoses as needed for handshower
- ADA Compliant (Handles Only)
- 1.8 GPM (6.8 LPM) Max, Handshower Only
- Intended for use with Newport Brass rough valve kit (Accessory Required) which incorporates the following:
  - Brass valve bodies and quick-connect spout fitting
  - Quarter-turn washerless ceramic disc 3/4" valve cartridges



### Codes / Standards Compliance

Meets or exceeds the following at date of manufacture:

- ASME A112.18.2/CAS B125.1
- IAPMO/cUPC
- IPC
- ADA & ICC/ANSI A117.1 (Handle Only)
- Energy Policy Act of 1992
- EPA WaterSense
- California Energy Commission
- ASME A112.18.3 (Back Flow)
- All applicable US Federal and State material regulations

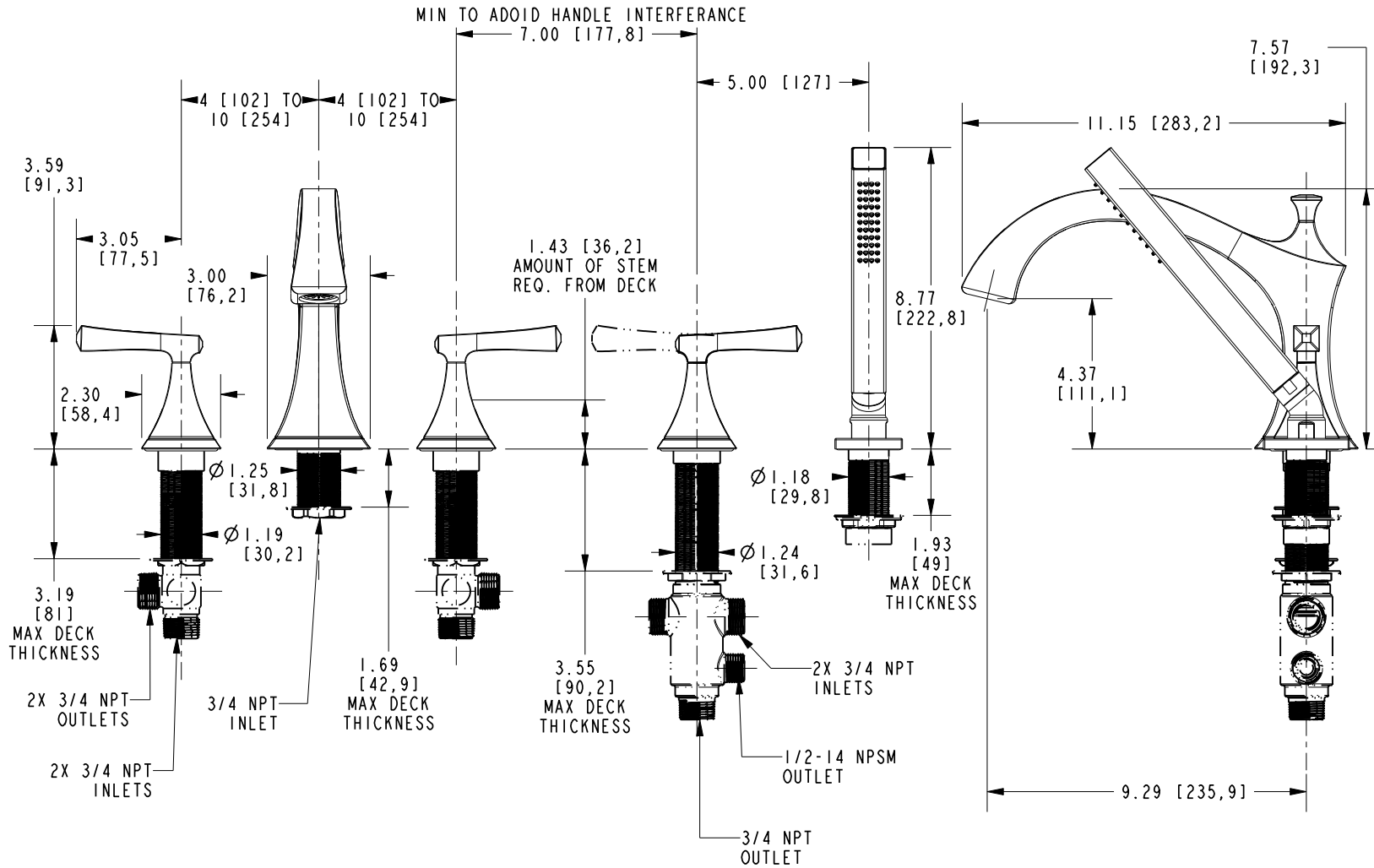
### ACCESSORY REQUIRED

<b>System Element</b>	Deck Tub Valve
<b>Description</b>	3-Valve Assembly With Quick Connect Spout Adapter
<b>Inlet/Outlet Size</b>	3/4" / 3/4"
<b>Part Number</b>	1-666
<b>Image</b>	

# 3-2577

## PRODUCT DIMENSIONS *(Units are in inches)*

Product Dimensions are provided for reference only. For specific product installation guidelines, please reference the Installation Instructions of the product being installed.



ROMAN TUB WITH HANDSHOWER DECK TRIM

3-2577

Page 2 of 2  
EN-4697  
REV F

**NEWPORT BRASS**  
Flawless Beauty. From Faucet to Finish.

t: 949.417.5207 | www.newportbrass.com  
©2023 Brasstech, Inc.