



ITEM # L017RDB SMALL OVAL ROLLED RIM

CODE/STANDARD COMPLIANCE

* IAPMO/cUPC LISTED

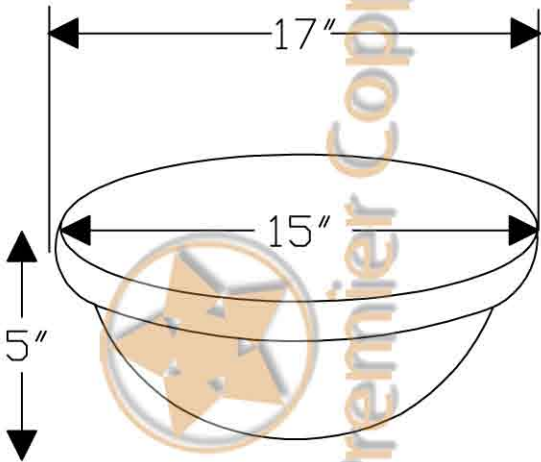
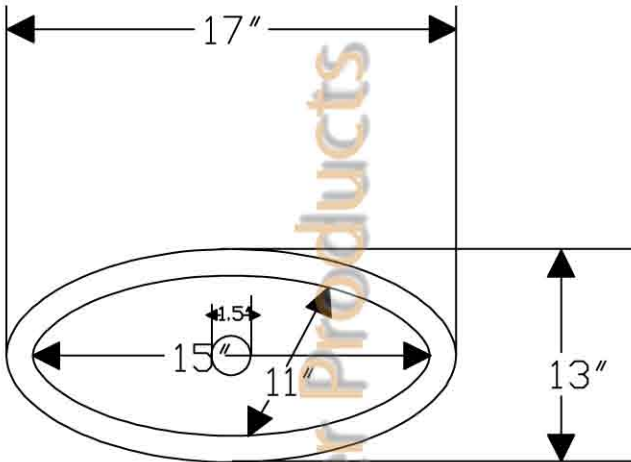


OUTER DIMENSIONS: 17"X13"X5"

INNER DIMENSIONS: 15"X11"X5"

DRAIN SIZE: 1.5" W/O OVERFLOW

MATERIAL GAUGE: 17



IMPORTANT: THIS PRODUCT IS HAND CRAFTED AND SMALL VARIANCES MAY OCCUR. DIMENSIONS MAY VARY UP TO 1/4". DO NOT MAKE ANY INSTALLATION CUTS UNTIL YOU RECEIVE YOUR SINK.