

Premier Copper Products

ITEM # PVREC17 RECTANGLE HAND FORGED OLD WORLD COPPER VESSEL SINK

CODE/STANDARD COMPLIANCE

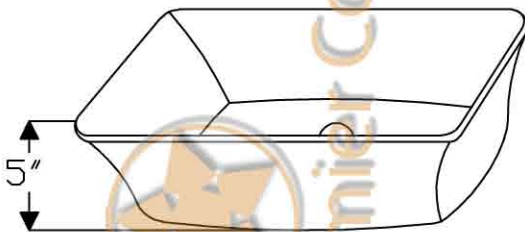
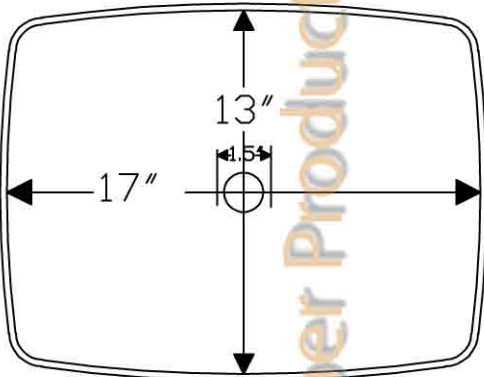
* IAPMO/ cUPC LISTED



OUTER DIMENSIONS: 17"X13"X5"

DRAIN SIZE: 1.5"

FINISH: OIL RUBBED BRONZE



IMPORTANT: THIS PRODUCT IS HAND CRAFTED AND SMALL VARIANCES MAY OCCUR. DIMENSIONS MAY VARY UP TO 1/4". DO NOT MAKE ANY INSTALLATION CUTS UNTIL YOU RECEIVE YOUR SINK.