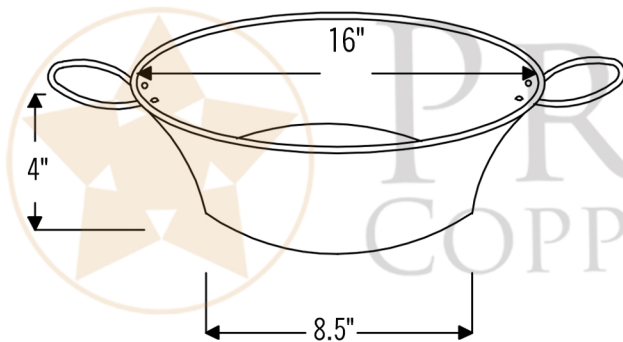
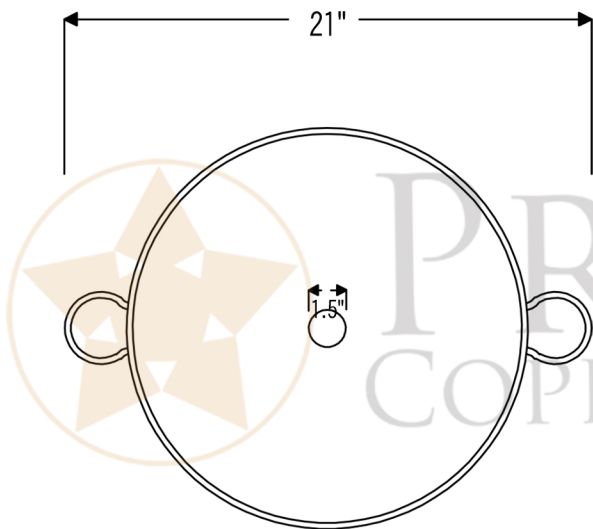




PREMIER  
COPPER PRODUCTS

## MODEL NUMBER: VR16MPPC

- \* Description: Round Minors Pan Vessel Hammered Copper Sink
- \* Outer Dimension: 21" x 16" x 4" (with handles)
- \* Outer Dimension: 16" x 4" (without handles)
- \* Bottom Dimension: 8.5"
- \* Drain Opening: 1.5"
- \* Finish: Polished Copper



THIS PRODUCTS IS HAND CRAFTED, SMALL VARIANCES IN COLOR AND SIZE MAY OCCUR.  
DO NOT MAKE ANY INSTALLATION CUTS UNTIL YOU RECEIVE YOUR ITEM(S).