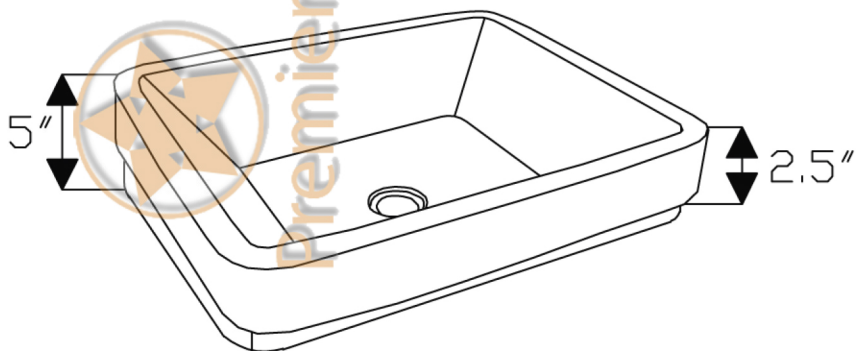
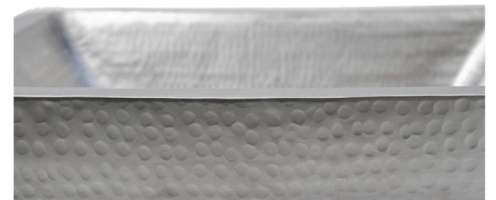
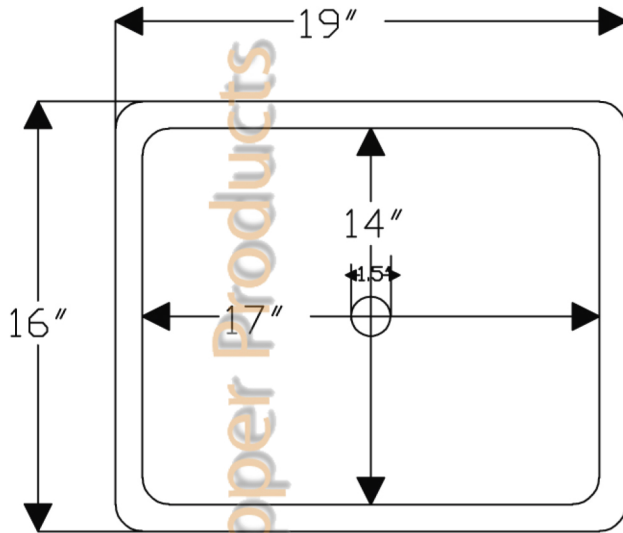




**PREMIER**  
COPPER PRODUCTS

## MODEL NUMBER: VREC19SKEN

- \* Description: Rectangle Skirted Vessel Hammered Copper Sink in Electroless Nickel
- \* Outer Dimensions: 19" x 16" x 5"
- \* Inner Dimensions: 17" x 14" x 2.5"
- \* Rim: 1"
- \* Drain Opening: 1.5" w/o Overflow
- \* Finish: Electroless Nickel



This product is hand crafted, small variances in color and size may occur. Dimensions may vary up to 1/4". Do not make any installation cuts until you receive your item(s).