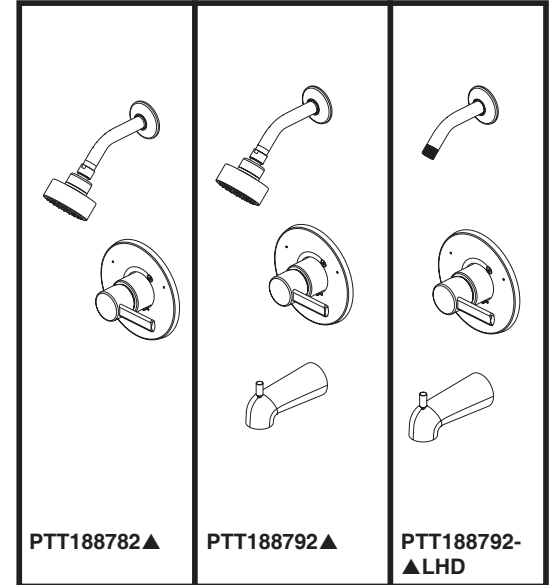
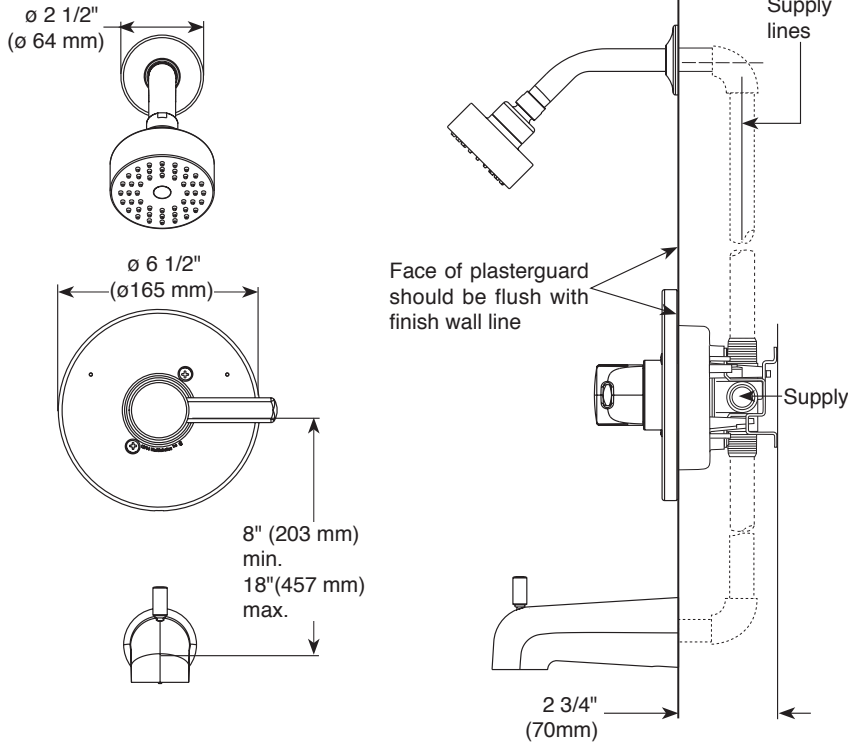


PEERLESS®

PTT188782▲
PTT188792▲
PTT188792-▲LHD



TUB AND SHOWER FAUCET

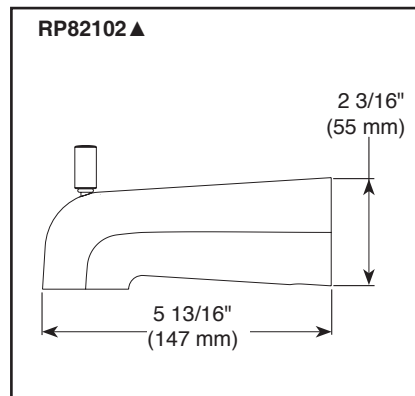
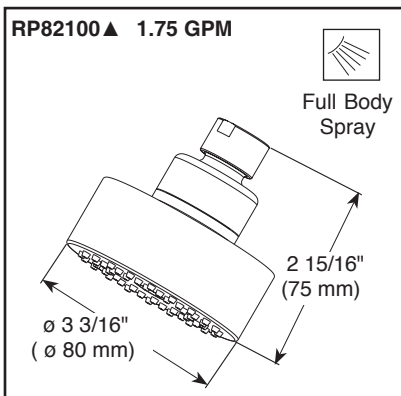
- Shower Only (PTT188782 Series)
- Tub/Shower (PTT188792 Series)

STANDARD SPECIFICATIONS:

- Maintains a balanced pressure of hot and cold water even when a valve is turned on or off elsewhere in the system.
- For use with MultiChoice® Universal rough valve body. (R10000 Series)
- Tub/Shower. Requires 2 3/4" wall cavity.
- Back-to-back installation capability.
- Forged brass body.
- Cartridge utilizes integral check valves to prevent the cross flow of water within the valve.
- Field adjustable means to limit handle rotation into hot water zone.
- Red/blue markings on escutcheon for hot/cold identification.
- Temperature control to rotate a maximum of 120° from full cold to the maximum temperature.
- Temperature only controlled with handle.
- "-LHD" models indicate less showerhead.
- Showerhead maximum flow rate is 1.75 gpm @ 80 psi, 6.6 L/min @ 550 kPa.

WARRANTY:

- Parts and Finish - Lifetime limited warranty; or for commercial purchasers, 10 years for multi-family residential (apartments and condominiums) and 5 years for all other commercial uses, in each case from the date of purchase.



COMPLIES WITH

- ASME A112.18.1 / CSA B125.1
- EPA WaterSense® - Applies to PTT188782 & PTT188792 only
- Indicates compliance to ICC/ANSI A117.1 - Valve control only

▲ Designate Proper Finish Suffix

PSP-B-PTT188782 Rev. D