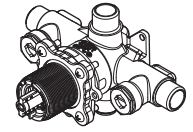
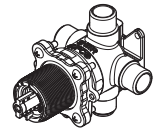


## Tab And Shower Valve



- OX8-310A Finish(XX)
- OX8-340A Finish(XX)
- JX8-310A Finish(XX)
- JX8-340A Finish(XX)

## Specifications

- Valve Only
- Pforever Seal

### Features

- Metal Stem
- Dual 1/2" I.P. or 1/2" Copper Sweat Connections
- Job Pack Quantities (JX8 Only)
- Integral Stops (340A Only)
- Back-to-Back Installation
- Temperature Limit Stop Included
- Anti-Scald Shower Cartridge
- Solid Brass Construction
- Spool Pressure Balance Valve
- Includes Plug for Shower Only
- Valve Only
- Pforever Warranty®

### Code Compliance

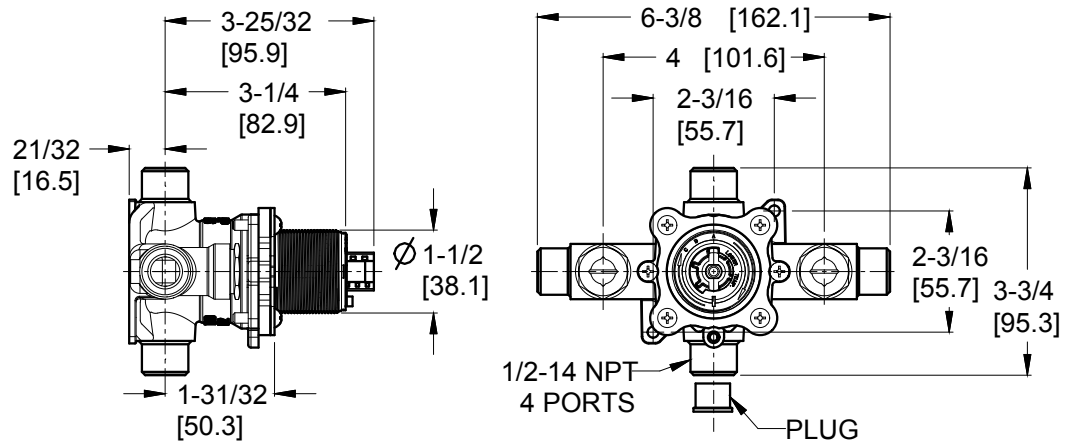
Pfister products are designed and manufactured in compliance with the following standards and codes:

- IAPMO Certified
- CSA B125 Certified
- ASME A112.18.1
- ASSE 1016
- ADA Compliant-ANSI A117.1 (Lever handles only)



## Dimensions

OX8-340A/ JX8-340



OX8-310A/ JX8-310

