

STERLING®

A KOHLER COMPANY

ENSEMBLE™

Features

- Compression molded from our exclusive solid Vikrell® material
- Gentle sloping back, neck, and armrest in bath design
- Bath and integral apron eliminates installation step
- Durable high-gloss finish
- 10-year consumer/3-year commercial limited warranty
- 3' (7.6 cm) wainscot/tile ledge
- 16" (40.6 cm) bath depth (floor to top of threshold)
- 60-1/4" (153 cm) x 43-1/2" (110.5 cm) x 20" (50.8 cm) rough-in dimensions include flange
- 60" (152.4 cm) x 42" (106.7 cm) x 19" (48.3 cm) finished dimensions

Codes/Standards Applicable

Specified model meets or exceeds the following:

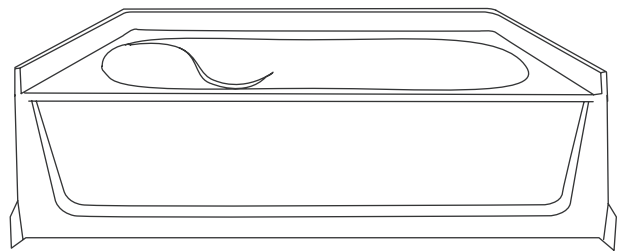
- ANSI Z124.1.2
- HUD, UM Bulletin 73A
- NAHB Research Foundation, Inc.
- ASTM E162
- ASTM E662
- CSA B45

Specified Model

Model	Description	Colors/Finishes	
71111110	42" (106.7 cm) oval bath, left drain	<input type="checkbox"/> 0	<input type="checkbox"/> Other _____
71111120	42" (106.7 cm) oval bath, right drain	<input type="checkbox"/> 0	<input type="checkbox"/> Other _____
71111310	42" (106.7 cm) oval bath, 3 pack, left drain	<input type="checkbox"/> 0	<input type="checkbox"/> Other _____
71111320	42" (106.7 cm) oval bath, 3 pack, right drain	<input type="checkbox"/> 0	<input type="checkbox"/> Other _____

Model	Access Panel Component Description	Colors/Finishes	
71111117	Bath only with access panel, left drain	<input type="checkbox"/> 0	<input type="checkbox"/> Other _____
71111127	Bath only with access panel, right drain	<input type="checkbox"/> 0	<input type="checkbox"/> Other _____

42" (106.7 cm) OVAL BATH
71111110
 ALSO 71111120, 71111310, 71111320



Colors/Finishes

- 0: White
- Other: Refer to Price Book for additional colors/finishes

ENSEMBLE™

Technical Information

Fixture*:	
Basin area:	
Bathing well	40" (101.6 cm) x 27" (68.6 cm)
Top area	52" (132.1 cm) x 35" (88.9 cm)
To overflow:	
Water depth	11" (27.9 cm)
Capacity	55 gal (208.2 L)
* Approximate measurements for comparison only.	

Model	door maximum width	door maximum height
71111110	58-1/2" (148.6 cm)*	NA*
71111120		
71111310		
71111320		
* Varies with alternative walls.		

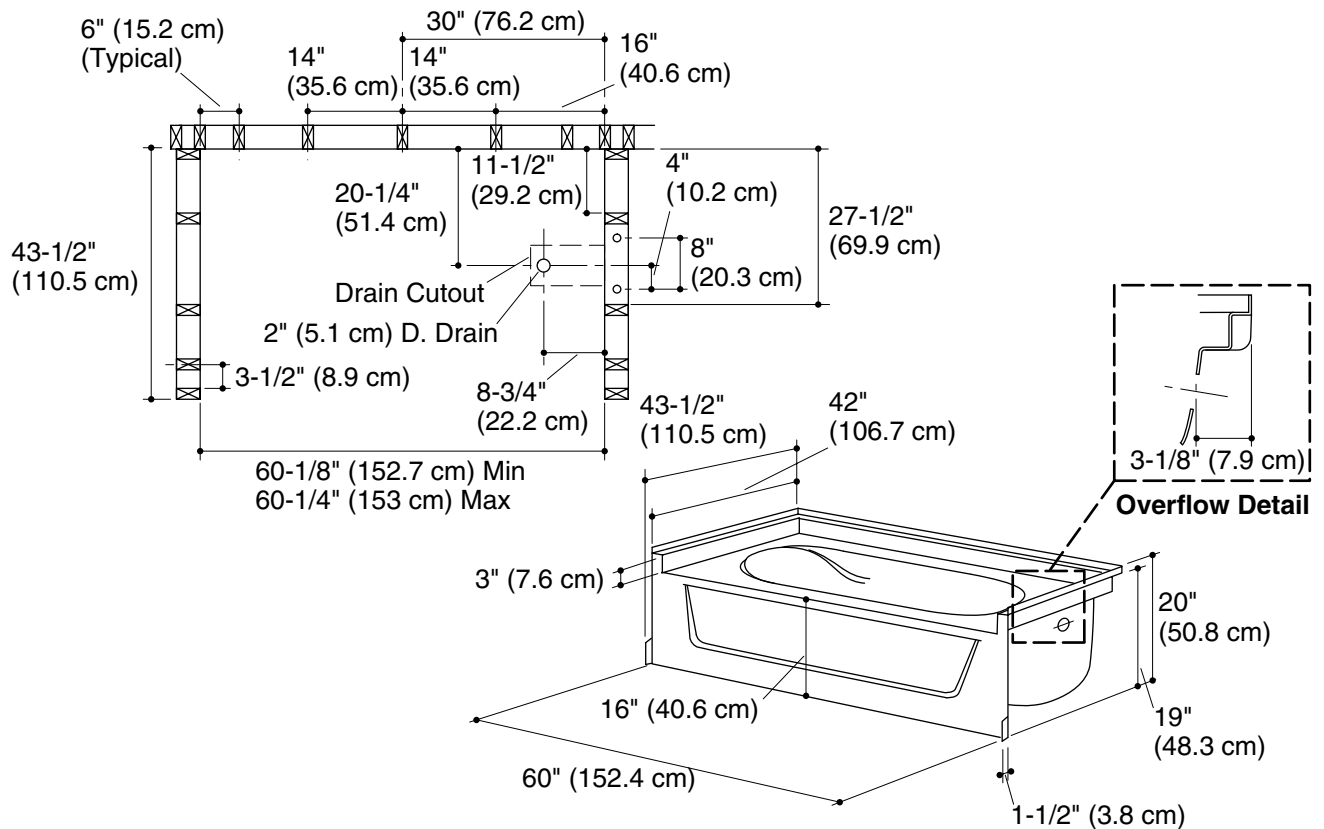
Installation Notes

Install this product according to the installation guide.

Size the drain cutout to fit the drain assembly that will be used.

End stud positioning is critical if apron nailing-in flanges are to be used.

Studs should be positioned roughly as shown.



Product Diagram