



Top-mount/Under-mount Sink
1411-0

Features

- Drop-in or under-mount installation
- 20-gauge stainless steel with mirror finish
- No faucet holes; accommodates either a wall-mount or countertop faucet
- Center drain, no overflow
- Mirror finish gives a clean, gloss look
- Crafted from 20 gauge stainless steel
- SilentShield™, an exclusive sound-absorbing system, reduces noise and vibration



Optional Products/Accessories

7400 Sink Strainer

Included Components

Product consists of:

1069536 Mounting Hardware for Under-mount Installation

ADA

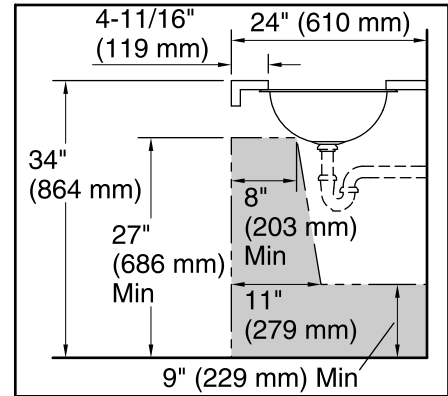
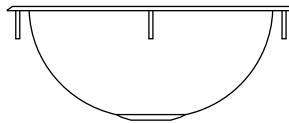
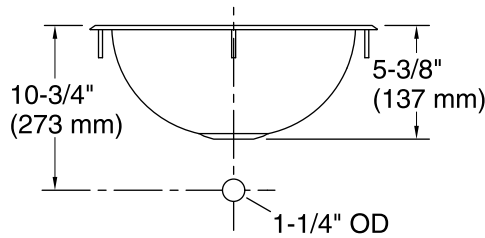
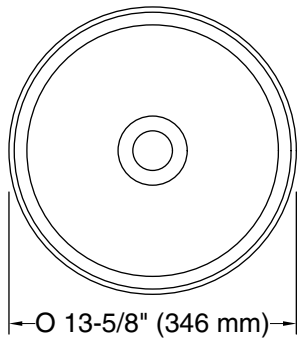
Codes/Standards

ADA

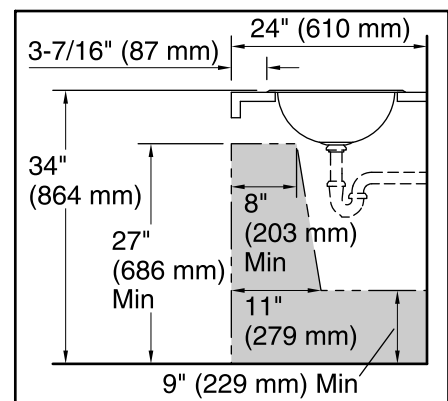
ICC/ANSI A117.1

STERLING® Warranty - Stainless Steel Sinks

See website for detailed warranty information.



Recommended ADA Installation



Technical Information

All product dimensions are nominal.

- Bowl configuration: Single
- Installation: Top-mount, Under-mount
- Min. base cabinet width: 18" (457 mm)
- Bowl area (Only): Length: 11-1/2" (292 mm)
Width: 11-1/2" (292 mm)
Bowl depth: 5-1/4" (133 mm)
- Drain hole: 2" (51 mm)
- Template: 1033115-7, not required, not included

Notes

- Install this product according to the installation instructions.
- Measure your actual product for roughing-in details.
- ADA compliant when installed to the specific requirements of these regulations.