

## Transitional Collection Series A Multi-Spray Handshower

### FEATURES

- WaterSense certified low-flow 2.0 gpm
- Multifunction showerhead with 5 spray modes
  - Spray
  - Spray & Massage Combo
  - Massage
  - Mist
  - Pause
- 4-1/2" handshower
- 4" diameter spray face
- Rubber nozzles to prevent limescale build up
- G 1/2" connection

### COLORS/FINISHES

- #CP Polished Chrome
- #BN Brushed Nickel
- #PN Polished Nickel

### CODES/STANDARDS

- Meets or exceeds ASME A112.18.1/CSA B125.1
- Certifications: IAPMO(cUPC), EPA WaterSense, State of Massachusetts and others
- Code Compliance: UPC, IPC, NSPC, NPC Canada, and others



### PRODUCT SPECIFICATION

The multi-spray handshower shall have a maximum flow rate of 2.0 gpm (7.6 lpm). Product shall have a 4-1/2" handshower and a 4" diameter spray face. Product shall have 5 multifunction spray modes. Spray modes shall be spray, spray and massage combo, massage, mist and pause. Product shall have rubber nozzles to prevent limescale build up. Product shall be TOTO Model TS200FL55# \_\_\_\_.



TS200FL55: Transitional Collection Series A Multi-Spray Handshower 4-1/2"

Please note the following components are sold separately:



TS101R  
Wall Outlet



TS101S  
Shower Arm Mount



TS101V  
Handshower Wall-Mount



TS101W60  
Shower Hose 60"

# TS200FL55

## Transitional Collection Series A Multi-Spray Handshower

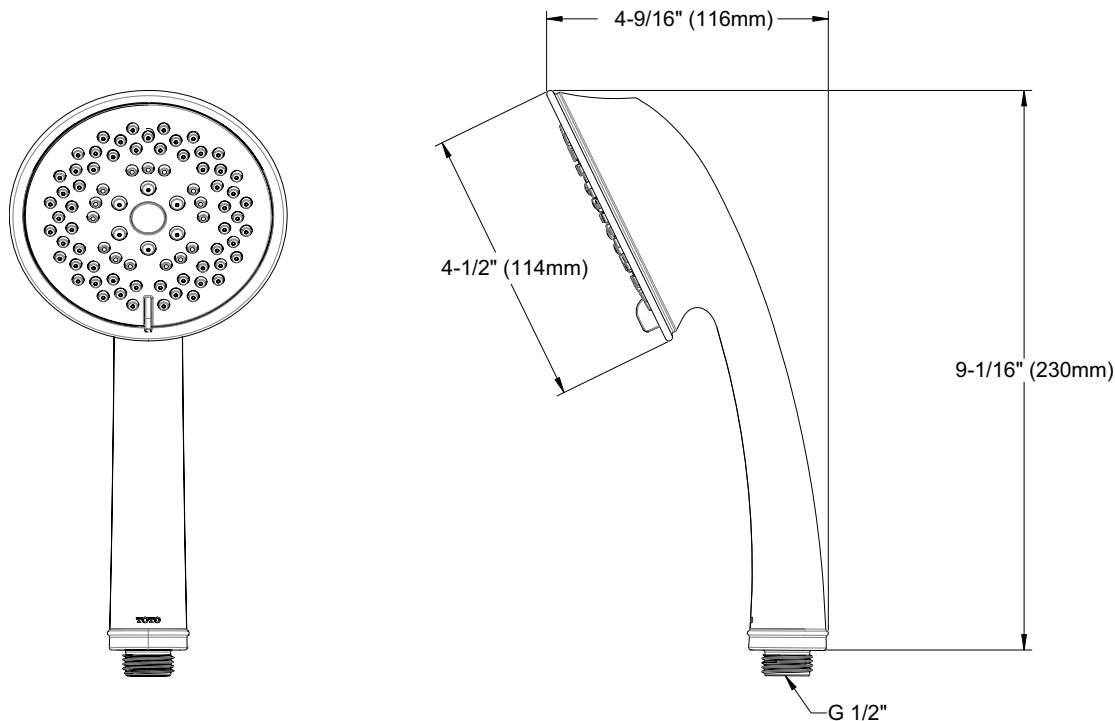
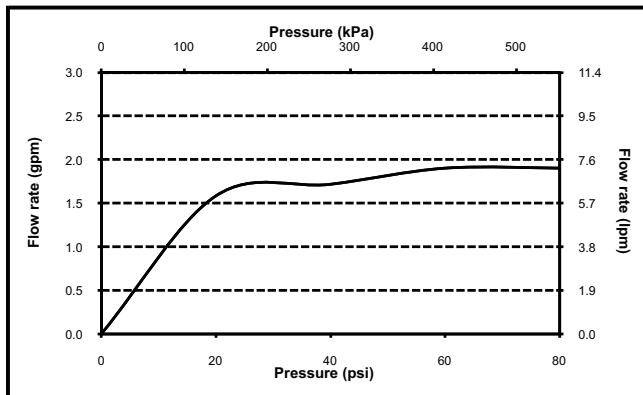
### SPECIFICATIONS

- Warranty: Lifetime Limited Warranty (Residential Use)  
One Year (Commercial Use)
- Material: Plastics
- Shipping Weight: 0.9 lbs.
- Shipping Dimensions: 4"L x 4-1/4"W x 11-1/4"H
- Maximum Flow Rate: 2.0 gpm (7.6 lpm)

### INSTALLATION NOTES

#### OPTIONAL HANDSHOWER COMPONENTS:

- TS101R: Wall Outlet
- TS101S: Shower Arm Mount
- TS101V: Handshower Wall-Mount
- TS101W60: Shower Hose 60"



**TOTO**

*These dimensions and specifications are subject to change without notice*