

## Aquia® IV WASHLET®+ C2 Two-Piece Toilet - 1.28 & 0.8 GPF

### FEATURES

- Concealed supply connection for seamless installation
- DYNAMAX TORNADO FLUSH® utilizes 360° cleaning power to reach every part of the bowl
- Ultra high-efficiency dual flush 1.28 & 0.8 GPF (4.8 & 3.0 LPF)
- CEFIONTECT® ceramic glaze prevents debris and mold from sticking to ceramic surfaces
- Design of the bowl reduces water flow resistance resulting in a quieter flushing sound
- Completely skirted design for a sleek and understated look that's easier to clean
- 12" Rough-in
- Chrome push-button
- Elongated front bowl and WASHLET+ C2 and tank set
- EWATER+® auto-cleans wand
- On-demand remote function cleans wand with EWATER+
- PREMIST® of bowl before each use
- Convenient arm control panel

### MODELS & COMPONENTS

- MW4463074CEMG (#01)  
With CEFIONTECT ceramic glaze, WASHLET+ C2
  - CT446CUGT40  
Elongated bowl with CEFIONTECT
  - ST446EMA  
Tank and cover only
  - SW3074T40  
WASHLET+ C2
  - 9AU321-A  
WASHLET adapter

#### Optional Components

- THU735(#01, #PN, #BN)-A  
Push Button - Cotton, Polished Nickel, Brushed Nickel
- TSU08W.10  
10" Unifit Rough-In
- TSU08W.14  
14" Unifit Rough-In

### COLORS/FINISHES

- #01 Cotton



 **DYNAMAX TORNADO FLUSH**  **EWATER+**

 **CEFIONTECT**

### PRODUCT SPECIFICATION

The two-piece, ultra high-efficiency, DYNAMAX TORNADO FLUSH toilet shall be dual flush 1.28 GPF/0.8 GPF. Toilet shall have CEFIONTECT ceramic glaze, elongated front bowl, high profile tank, complete skirted bowl and chrome push-button. Toilet shall be TOTO Model MW4463074CEMG#01.

See SW3074T40 Specification Sheet for details on included WASHLET.

### CODES/STANDARDS

- Meets and exceeds ASME A112.19.2/CSA B45.1, ASME A112.19.14
- Certifications: IAPMO(cUPC®), EPA WaterSense, State of Massachusetts, and others
- Code Compliance: UPC, IPC, NSPC, NPC Canada, and others
- Legislative Compliance: California Green Building Code, City of Los Angeles Water Efficiency Ordinance, and others
- Complies with CA Prop 65 warning requirements



# MW4463074CEMG

## Aquia® IV WASHLET®+ C2 Two-Piece Toilet, 1.28 & 0.8 GPF

### SPECIFICATIONS

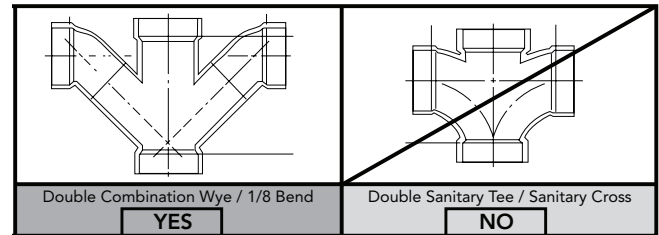
<b>Water Use</b>	1.28 & 0.8 GPF (4.8 & 3.0 LPF)
<b>Flush System</b>	DYNAMAX TORNADO FLUSH®
<b>Min. Water Pressure</b>	8 psi (Flowing)
<b>Water Surface</b>	5-5/8" x 4-1/8"
<b>Trap Diameter</b>	2-1/2"
<b>Rough-in</b>	12" (10" & 14" Optional)
<b>Trap Seal</b>	2-1/8"
<b>Warranty</b>	One Year Limited Warranty
<b>Material</b>	Vitreous China
<b>Shipping Weight</b>	CT446CUGT40 85 lbs ST446EMA 29 lbs
<b>Shipping Dimensions</b>	CT446CUGT40 30-3/4" L x 17-3/8" W x 20-1/2" H ST446EMA 17-1/4" L x 7-7/8" W x 17-1/2" H

See SW3074T40 Specification Sheet for details on included WASHLET.

### INSTALLATION NOTES

Back-to-Back Toilet Installations:

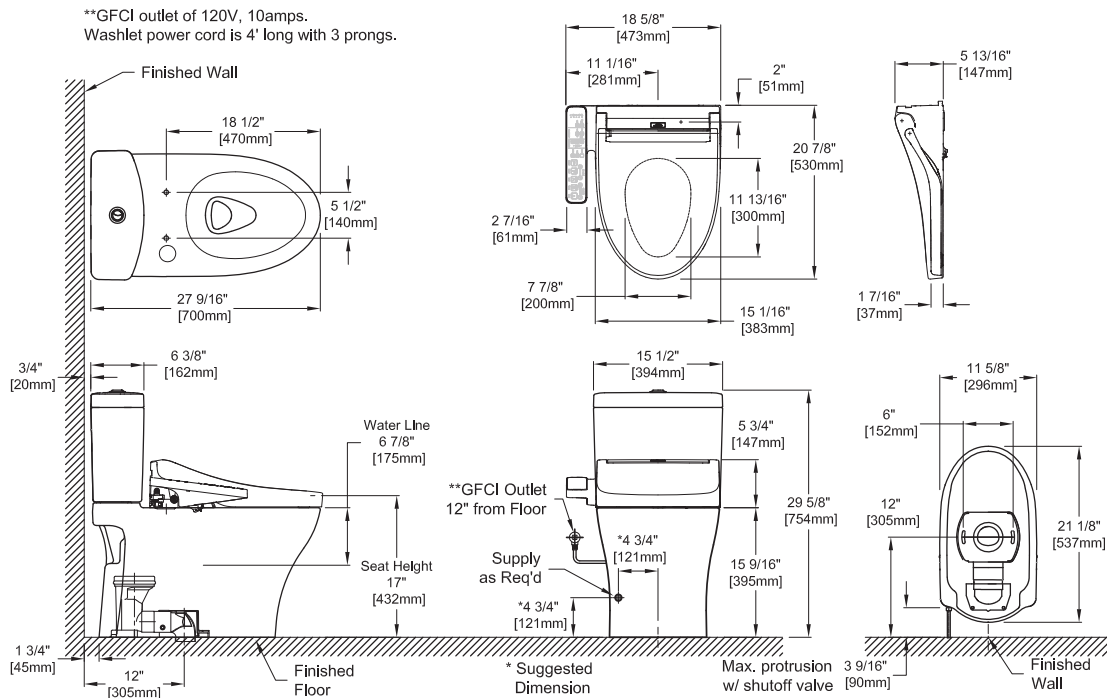
TOTO recommends the use of a nationally listed, double sanitary tee-wye only, in vertical waste stacks, in accordance with the stipulations noted in the majority of nationally recognized plumbing codes.



To maintain adequate wall gap between the back of the tank and wall, mount the floor flange at a nominal 12" rough-in distance.

Ultra-low high efficiency toilets require a system with adequate supplemental flows from other water usage fixtures and a 4" ID drainline with minimum 2% slope and maximum linear runs of 60ft.

### DIMENSIONS



**TOTO®**

These dimensions and specifications are subject to change without notice

Ph: (888) 295-8134 | Fax: (800) 699-4889 | www.totousa.com | © TOTO USA

# SS-01843 v.01