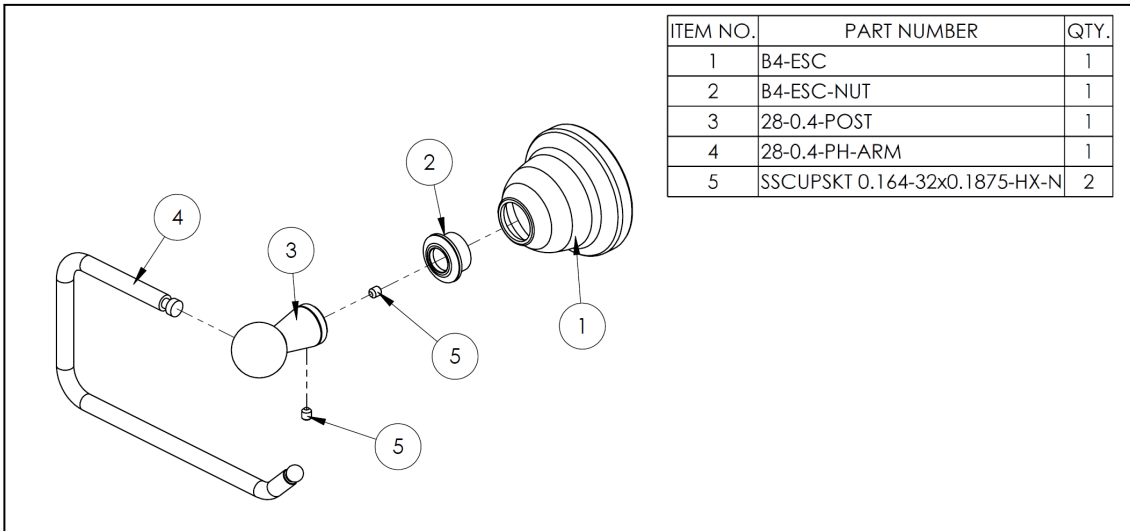
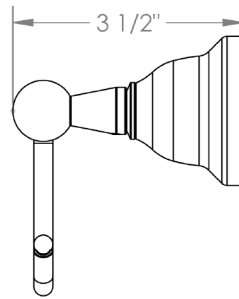
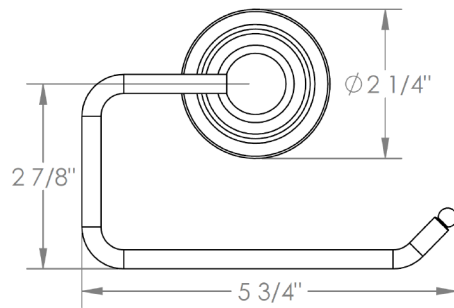
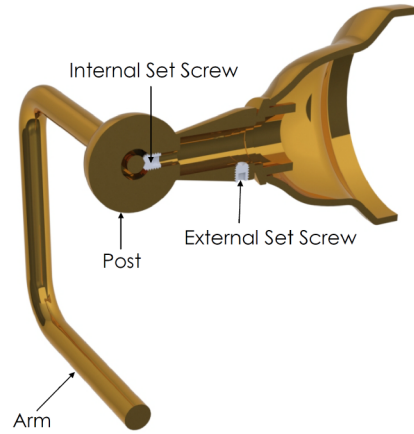
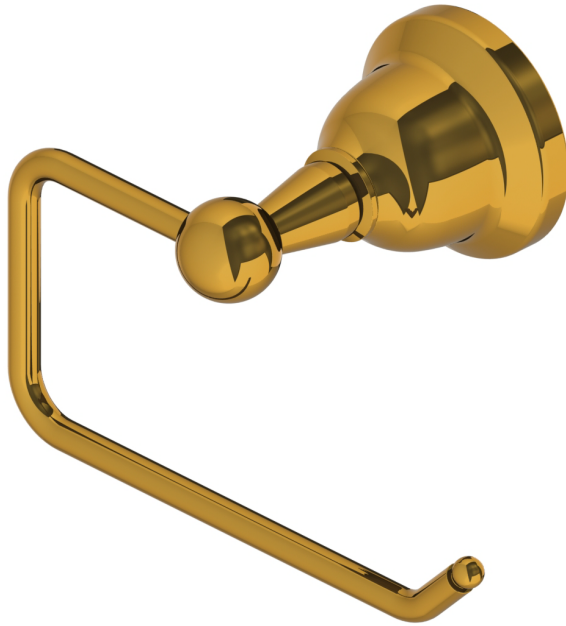


28-0.4
Paper holder



ITEM NO.	PART NUMBER	QTY.
1	B4-ESC	1
2	B4-ESC-NUT	1
3	28-0.4-POST	1
4	28-0.4-PH-ARM	1
5	SSCUPSKT 0.164-32x0.1875-HX-N	2

