

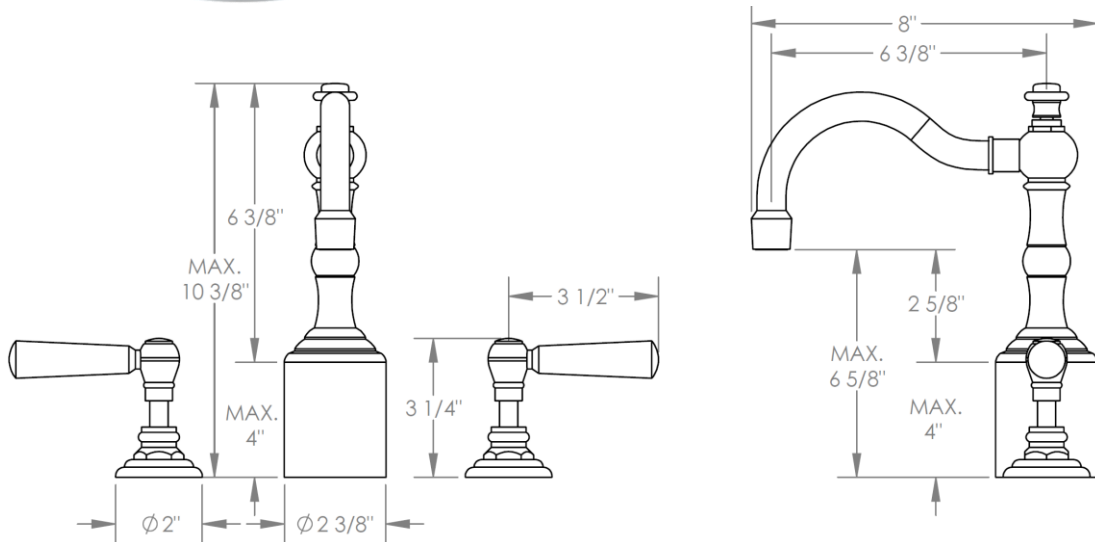
206-2X-

Deck Mounted 3 Hole Extended Lavatory Set

Includes MPU7 pop-up drain

Flow Rate: 1.2 GPM

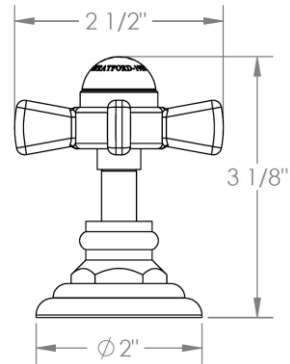
Note: Please specify up to 4" spout extension when ordering.



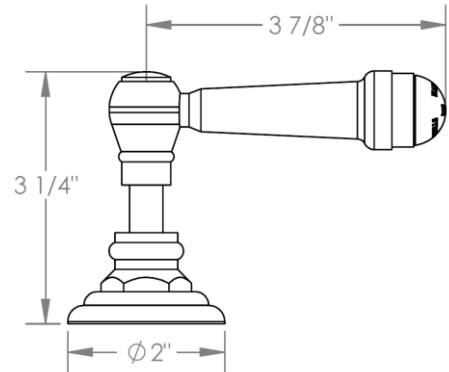
Meets the applicable requirements of ASME A112.18.1-2005/CSA B125.1-05, entitled "Plumbing Supply Fittings"

HANDLE TRIM OPTIONS

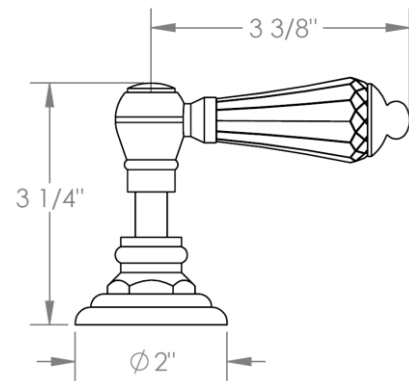
S1 - PRESTON



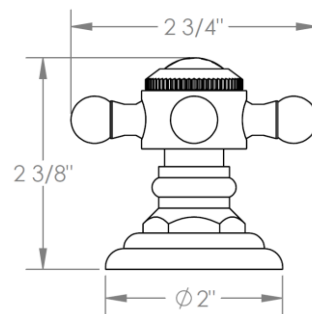
S2 - WALTHAM



SWA - DARIEN



V - WALES



S1A – NOTTINGHAM

