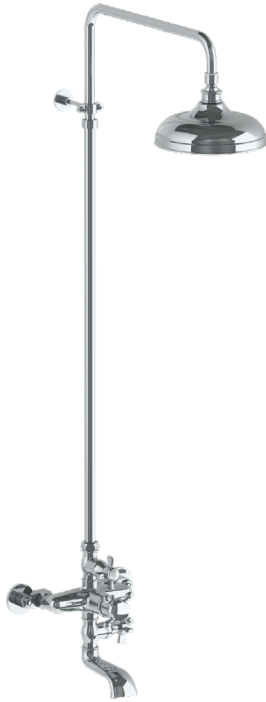


WATERMARK

BROOKLYN, NEW YORK

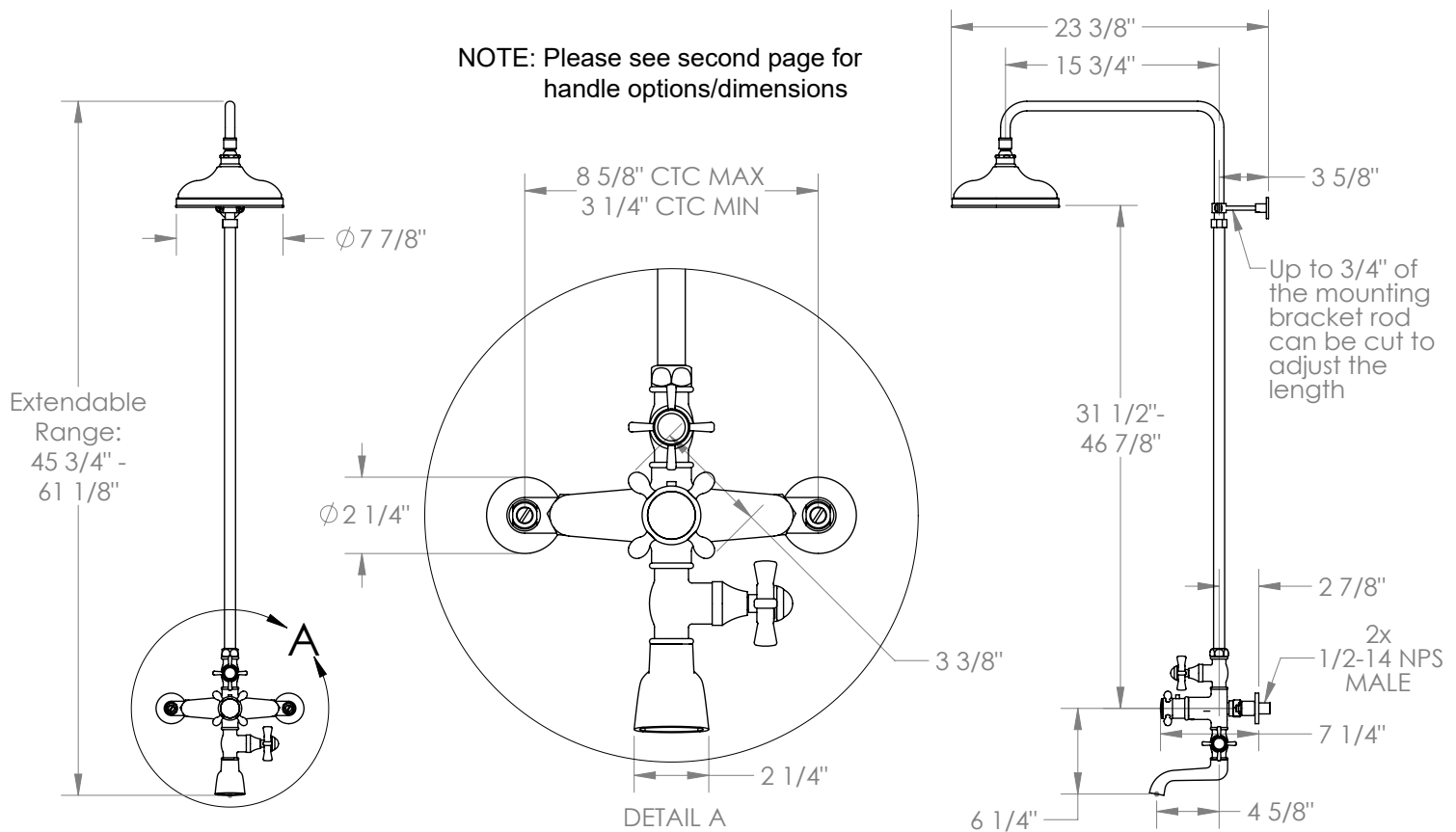
Paris 206-EX7500-S1

Wall Mounted Exposed Thermostatic Tub/Shower Set



- Features an adjustable riser that can raise or lower the height of the shower head.
- Wall bracket can be repositioned along the length of the riser body.
- Includes backflow preventors in the hand shower and water supply inlets.
- Uses a 1/2" thermostatic valve.
- Shower Head: SH-RH075
- Shower Head + Hand Shower Flow Rate: 1.75 gpm @80 psi
- Tub Filler Flow Rate: 7-8 gpm @80 psi
- Professional Installation Required

Available in all finishes shown on the [Watermark Designs website](https://www.watermark-designs.com)



Meets the applicable requirements of ASME A112.18.1-2005/CSA B125.1-05, entitled "Plumbing Supply Fittings".

Watermark Designs reserves the right to make revisions without notice to produce specifications. All product dimensions are nominal.

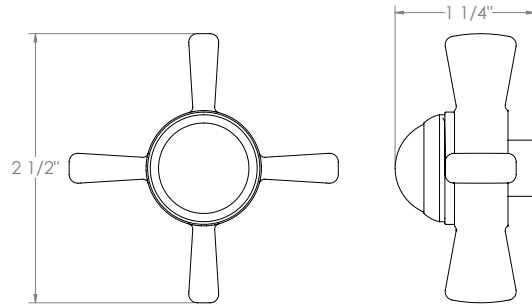
01/2023

WATERMARK

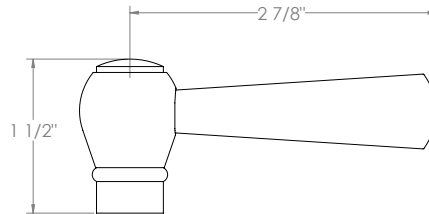
BROOKLYN, NEW YORK

206 (PARIS) + 321 (STRATFORD) HANDLE OPTIONS

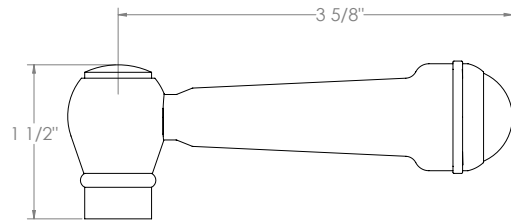
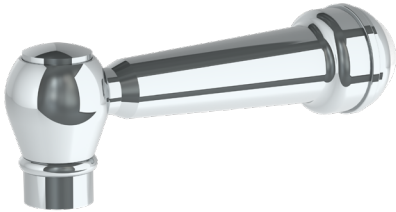
S1- PRESTON



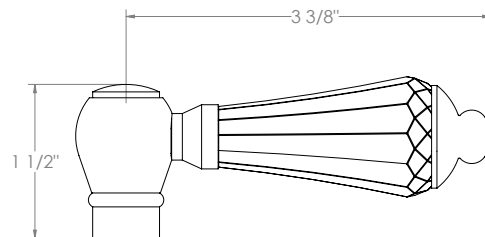
S1A-NOTTINGHAM



S2- WALTHAM



SWA- DARIEN



V- WALES

