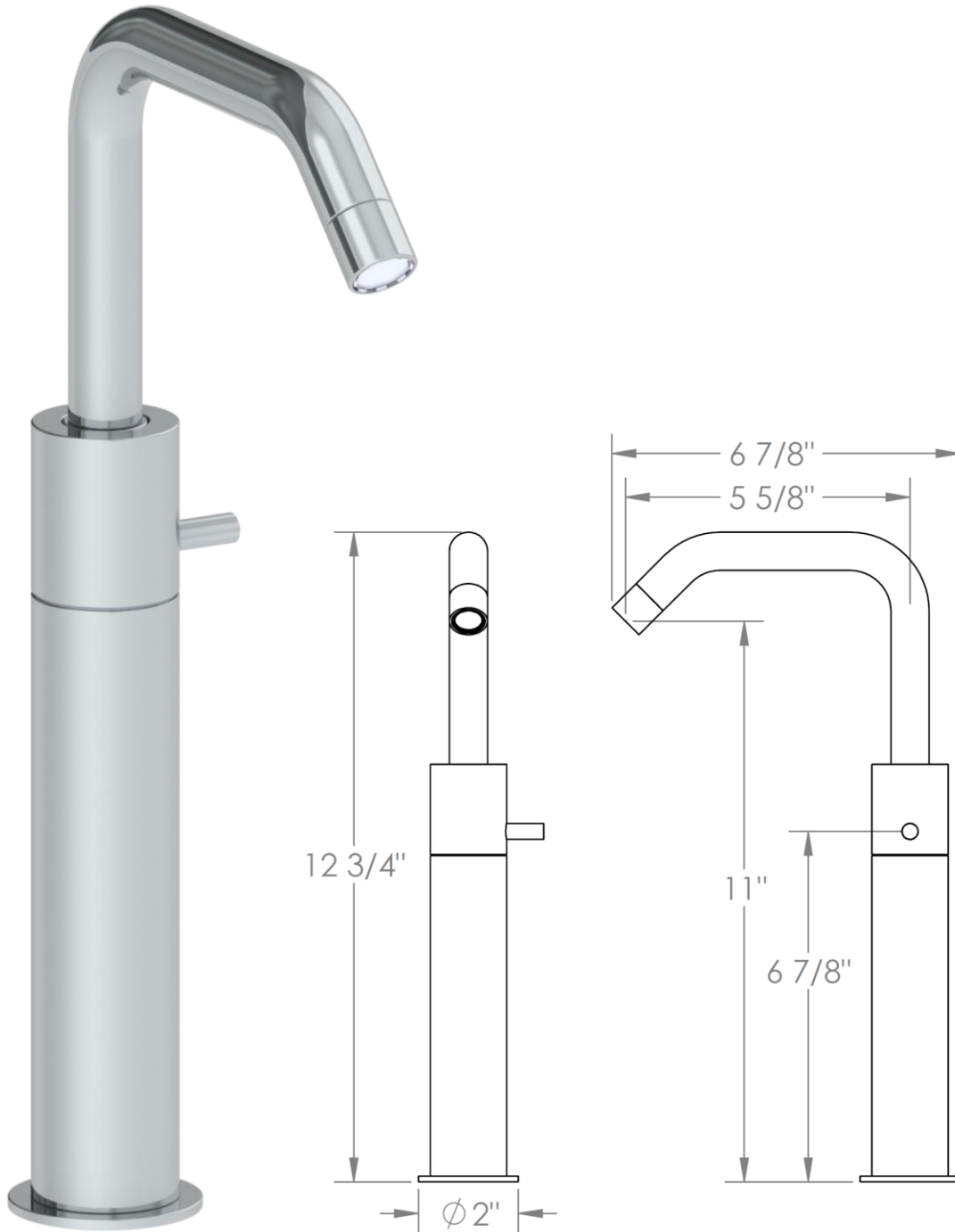


22-1.101X-TIB

Deck Mounted Extended Square Lavatory Monoblock
Includes MPU5 soft touch drain with overflow
Flow Rate: 1.2 GPM



Meets the applicable requirements of ASME A112.18.1-2005/CSA B125.1-05, entitled "Plumbing Supply Fittings"

WATERMARK DESIGNS 1/9/2019

350 Dewitt Ave Brooklyn NY 11207 USA T 718 257 2800 F 718 257 2144 info@watermark-designs.com