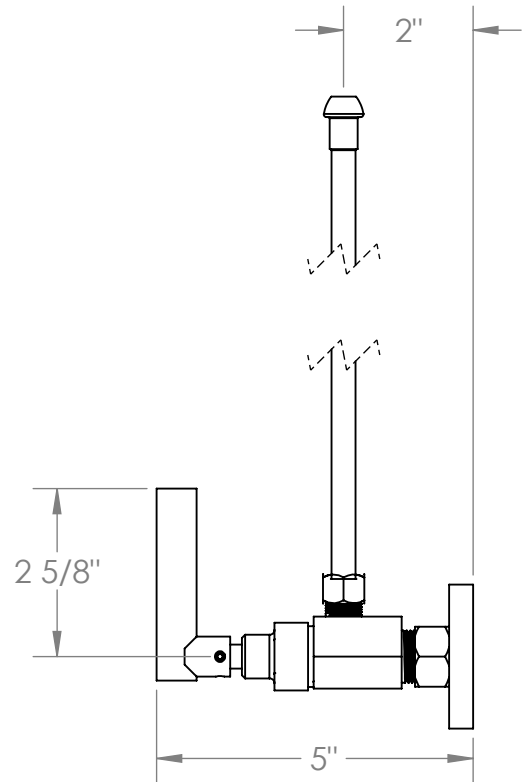
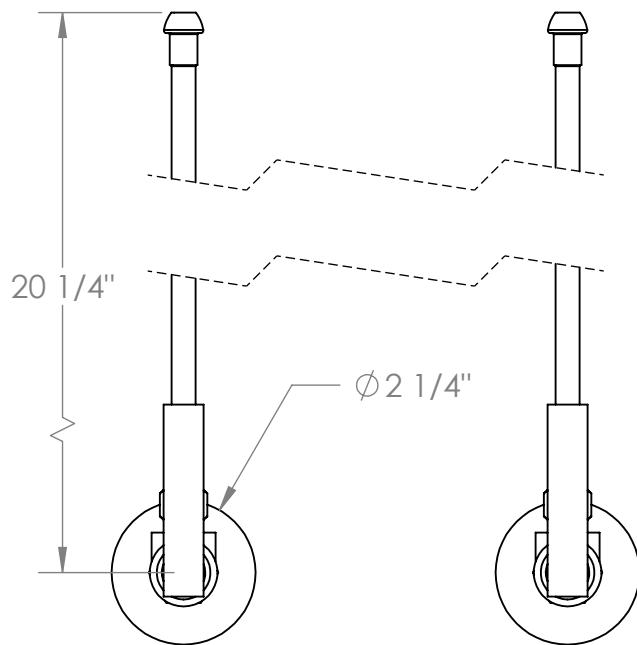


# 23-MAS1-L8

Lavatory Angle Stop Kit

1/2" Compression x 3/8" OD Compression



Meets the applicable requirements of ASME A112.18.1-2005/CSA B125.1-05, entitled "Plumbing Supply Fittings"