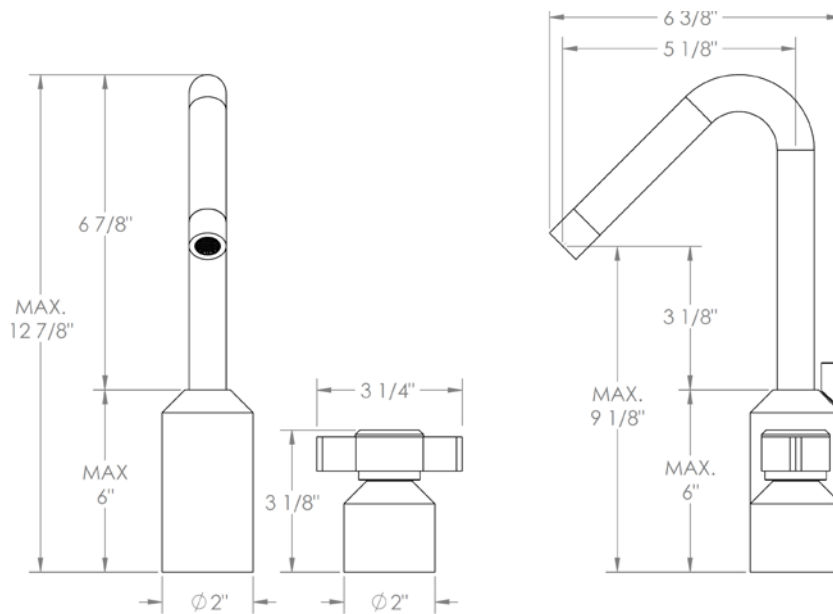


25-1.3X-IN16

Deck Mounted 2 Hole Extended Lavatory Set
Includes MPU7 pop-up drain and angled spout

Flow Rate: 1.2 GPM

Note: Please specify up to 4" spout extension when ordering.



Meets the applicable requirements of ASME A112.18.1-2005/CSA B125.1-05, entitled "Plumbing Supply Fittings"

WATERMARK DESIGNS 6/8/2018

350 Dewitt Ave Brooklyn NY 11207 USA T 718 257 2800 F 718 257 2144 info@watermark-designs.com