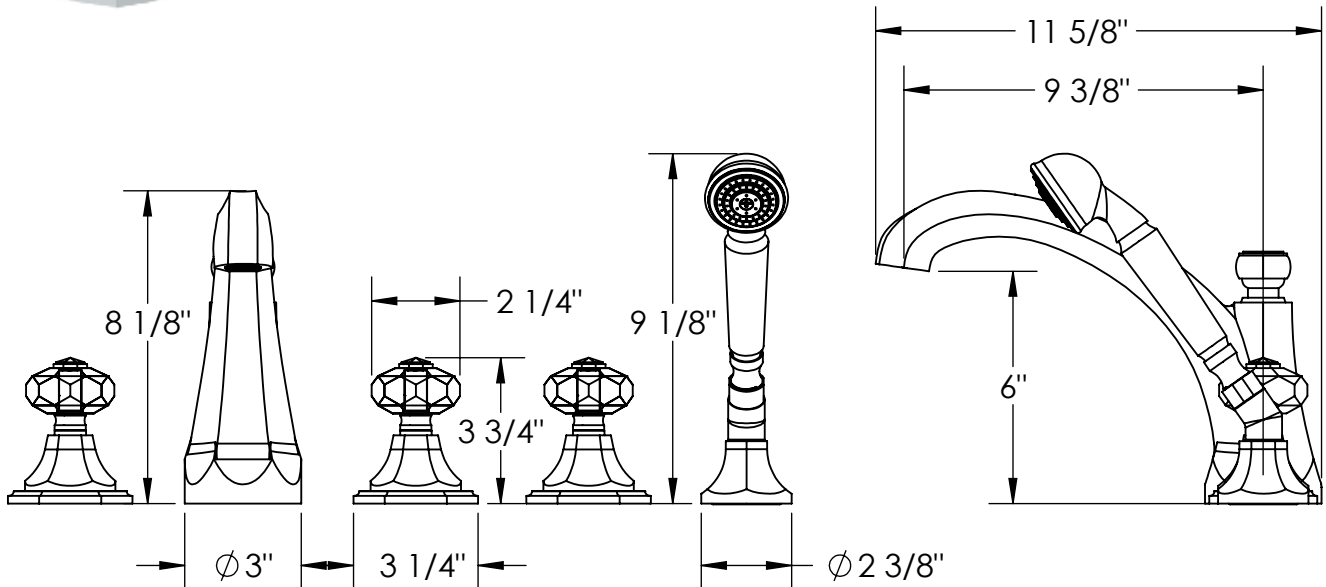


**314-8.205.1-**

Deck Mounted 5 Hole Extended bath Set with Hand Shower

Hand Shower Flow Rate: 1.75 GPM

Note: Some building codes may require a remote pressure balance valve for anti-scald, such as the SS-PB50



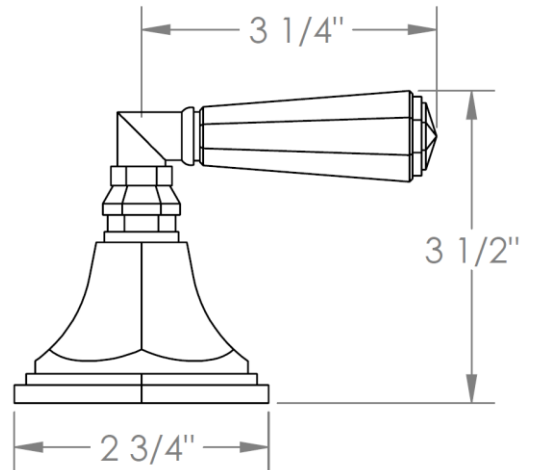
Meets the applicable requirements of ASME A112.18.1-2005/CSA B125.1-05, entitled "Plumbing Supply Fittings"

**WATERMARK** DESIGNS 4/25/2024

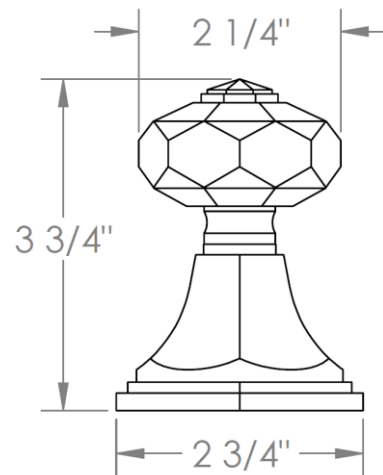
350 Dewitt Ave Brooklyn NY 11207 USA T 718 257 2800 F 718 257 2144 info@watermark-designs.com

**HANDLE TRIM OPTIONS**

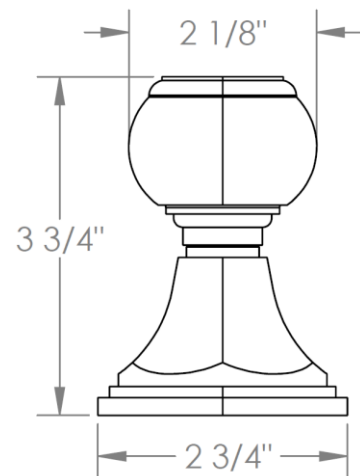
**CRY4 – ROOSEVELT**



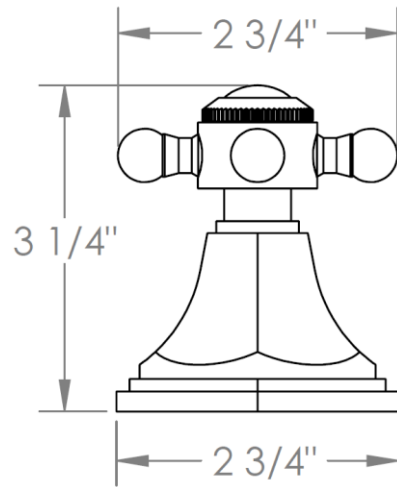
**CRY5 – MARMONT**



**T6 – NEWTON**



XX – SHETFIELD



YY – NEWPORT

